

Technical Data Sheet

Bristol 8764 and Waitsfield 8771 Blower Installation Kit

Assembly 93-57100

KIT CONTENTS:

Blower Assembly
1x, Control Knob (7200-602)
2x, 8-32 Hex Head Screw (4500-3434)

TOOLS REQUIRED:

1/4" wrench
Phillips Head Screwdriver

Note: The following are installed in the Blower Assembly – Blower, power cord, snap switch assembled to bracket and rheostat.

ELECTRICAL GROUNDING INSTRUCTIONS:

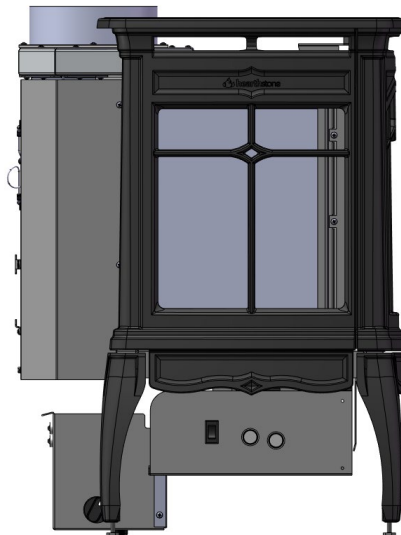
This blower is equipped with a three-pronged (grounding) plug for your protection against shock hazard and should only be plugged into a properly grounded three-prong receptacle. Do not cut or remove the grounding prong from the plug.

BEFORE YOU BEGIN:

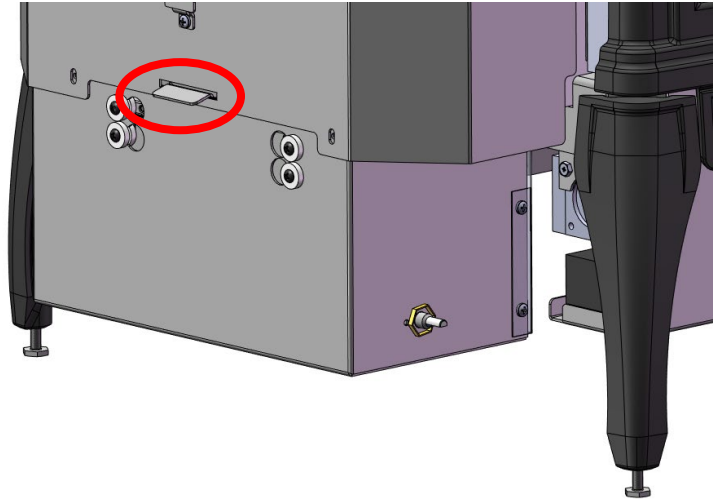
ONLY WORK ON A COOL STOVE! Read this entire instruction sheet before beginning installation. Be sure you have enough room to work on the back of the stove. Depending upon installation configuration, it may be necessary to disconnect the stove and move it away from the wall. If this is the case, conform to all state and local laws regarding disconnection of gas supply lines. It may be required to contact a licensed plumber, gas technician or other properly certified individual to perform this function in your area.

PROCEDURE:

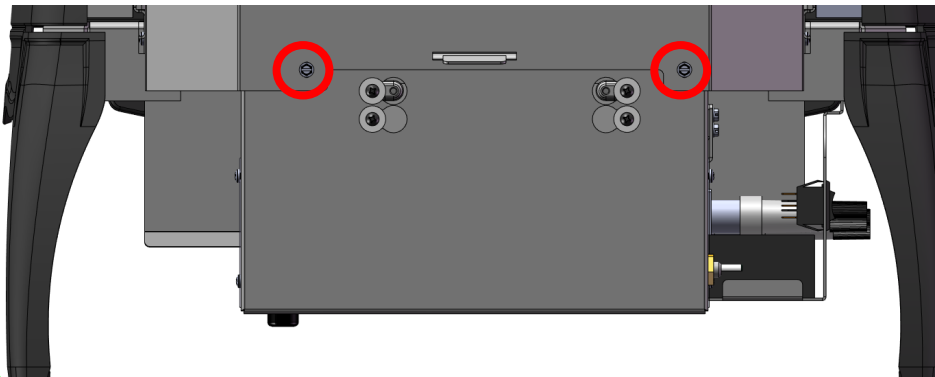
1. The Blower assembly gets installed in the bottom part of the rear panel. Align the assembly so it is below the rear panel and sits centrally. Slowly move the assembly forward underneath the stove making sure not to hit any gas or pilot lines until the whole assembly is under the stove.



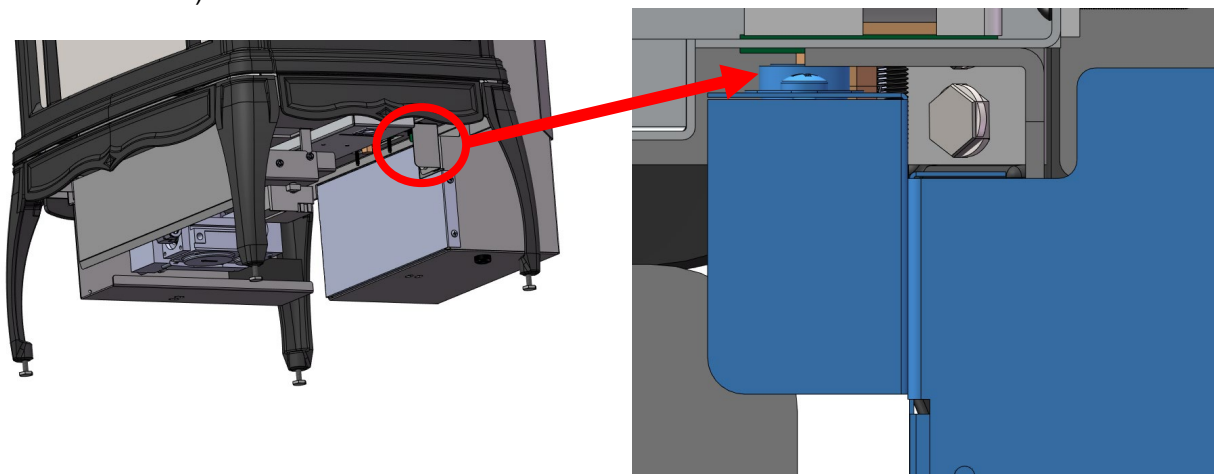
2. Once under, slowly lift the assembly upwards and insert the tab from the Blower assembly housing to the opening in the rear panel.



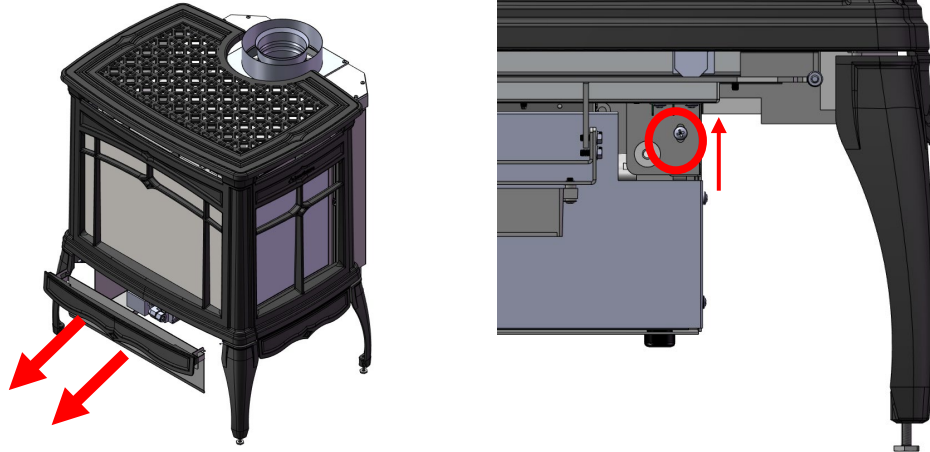
3. Screw in the 8-32 hex head screws to secure the Blower assembly to the rear panel.



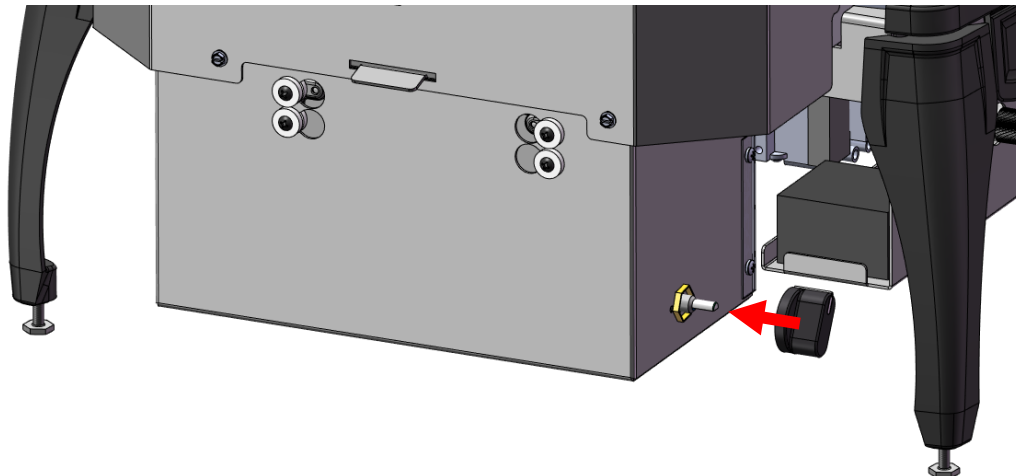
4. From the bottom right side of the stove, look to see the snap switch's position. If it is not close to contacting or in contact with the bottom of the stove, move to step 5. If it is close to contacting or in contact with the bottom of the stove, move to step 6. (Note: The farther away the snap switch is from the bottom of the stove, the longer it will take for the blower to start.)



5. If snap switch is not close to contacting the bottom of the stove, remove front access cover loosen the screw and raise the bracket until it comes close to or in contact with the stove. Re-install front access cover.



6. Attach the control knob to the rheostat.



7. Turn appliance on via the operating instructions in the User Manual and turn the Blower Rheostat control knob clockwise just past the on 'click'.
8. After the stove chassis reaches a pre-set temperature, the snap switch will turn the fan on. Using the Rheostat dial, adjust fan speed to desired rate and re-install valve access panel. The blower will be on high when the knob is first turned on. To lower the blower speed, continue to turn the knob clockwise. Each time the stove turns off, the chassis will take time to cool down enough for the snap switch to cycle the Blower fan off. Conversely, each time the stove starts, a period of time will pass before the Blower fan starts as the chassis is coming up to required snap switch activation temperature.

If the Blower fan fails to start after at least 30 minutes of stove operation on the highest flame setting, turn off the appliance, unplug the Blower power cord from the 120V supply and follow this installation sheet step by step to identify a potential cause.