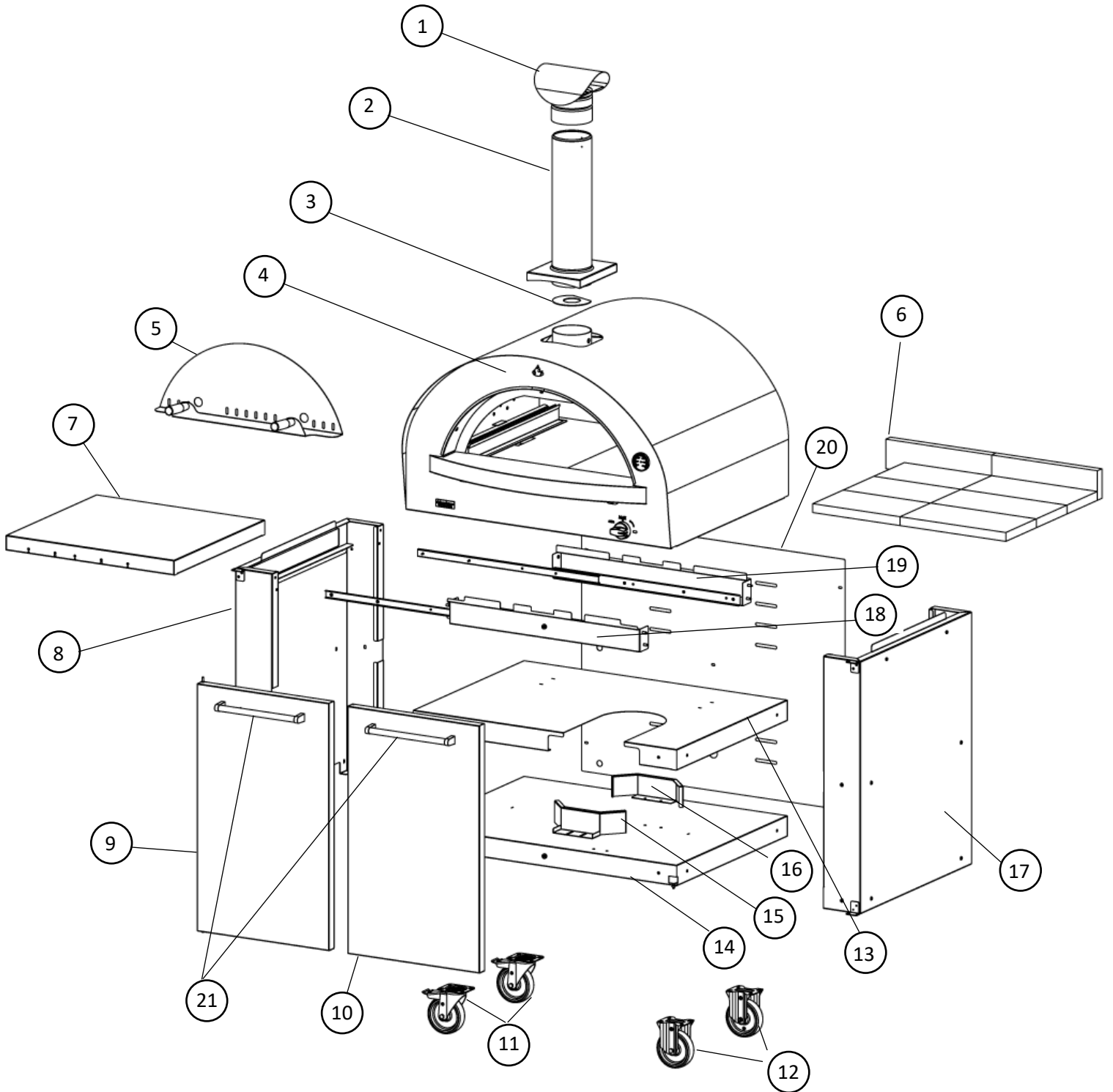


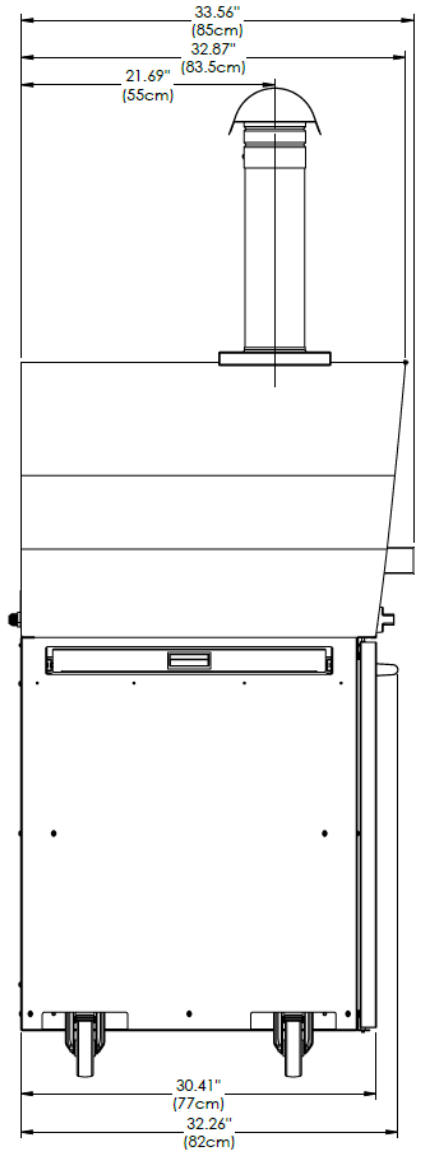
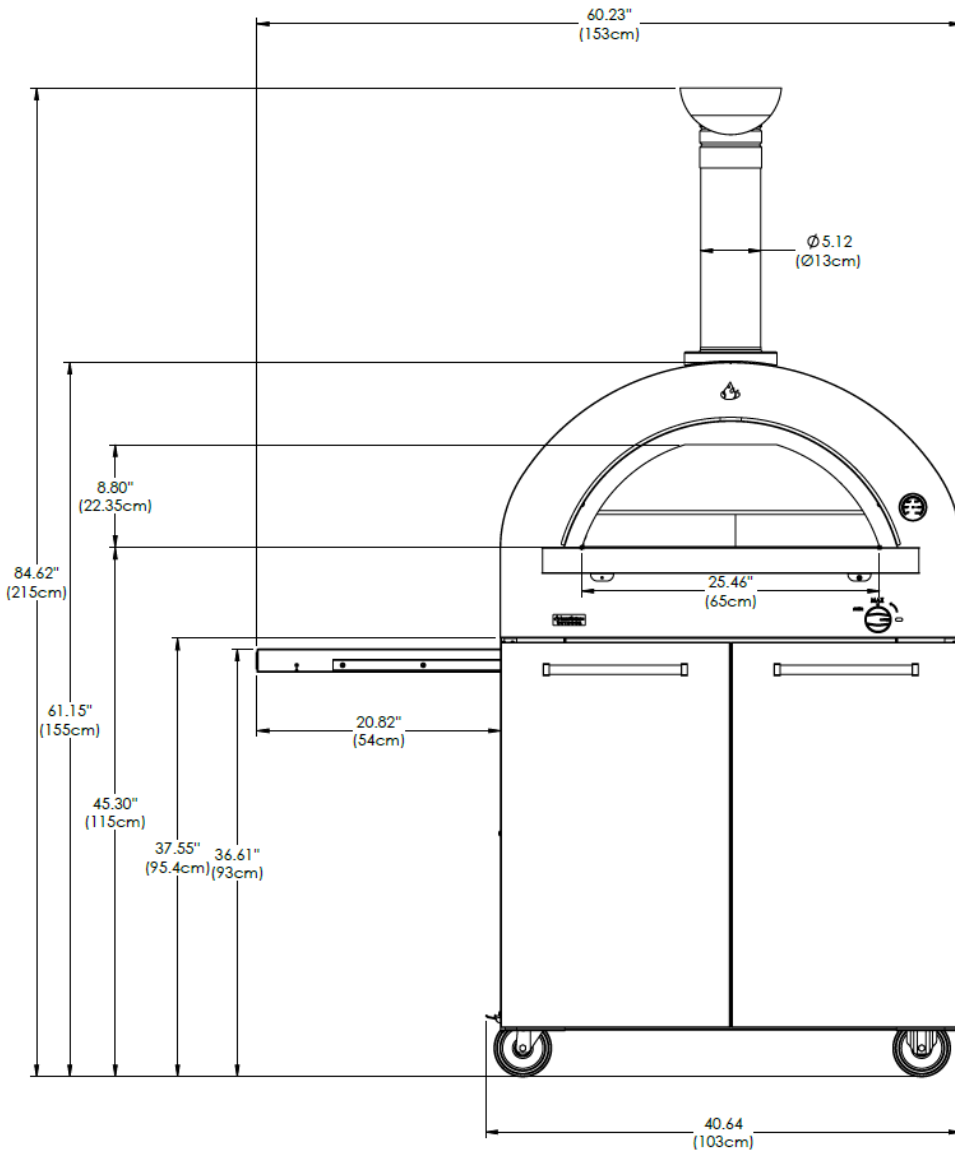
**USER MANUAL PIZZA OVENS CART
HEARTHSTONE 80X60**

OVEN AND CART COMPONENTS



N°	DESCRIPTION	Q.TA'
1	CHIMNEY CAP	1
2	CHIMNEY FLUE	1
3	BAFFLE	1
4	OVEN BODY	1
5	FRONT DOOR	1
6	REFRACTORY BRICKS	8
7	LATERAL SLIDING TRAY	1
8	CART LEFT SIDE	1
9	CART LEFT DOOR	1
10	CART RIGHT DOOR	1
11	SWIVEL WHEELS WITH BRAKE	2
12	FIXED WHEELS	2
13	INTERMEDIATE SHELF	1
14	BOTTOM SHELF	1
15	FRONT GAS CYLINDER SUPPORT BRACKETS	1
16	BACK GAS CYLINDER SUPPORT BRACKETS	1
17	CART RIGHT SIDE	1
18	CART FRONT CROSSBAR + SLIDING SHELF GUIDE	1
19	CART BACK CROSSBAR + SLIDING SHELF GUIDE	1
20	CART BACK PANEL	1
21	CART HANDLES	2

OVEN AND CART SIZES



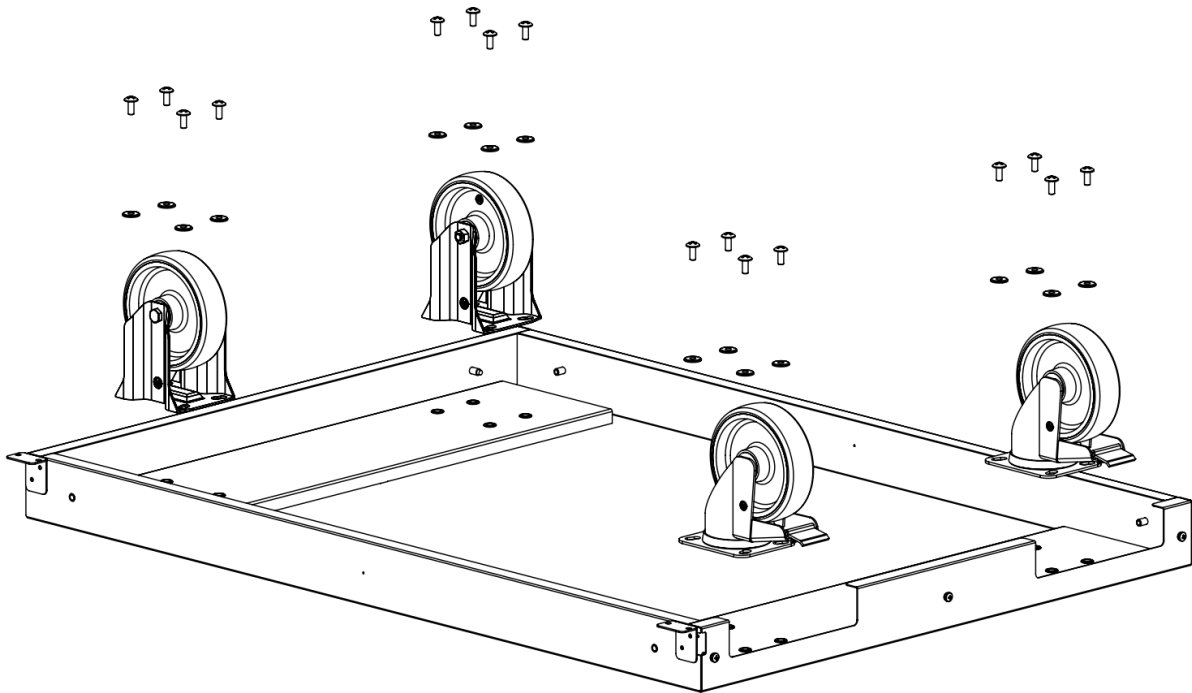
COMPONENTS LIST:

ART.	NAME	SIZE	IMAGES	Q.TY'	USE	INCLUDED
1	Cross head screws	M6x15		16	To fix wheel	YES
2	Washer	6x18		16	To fix wheel	YES
3	Washer	5x18		4	To fix gas cylinder support brackets	YES
4	Countersunk cross head screws	M4x10		4	To fix lateral sliding tray	YES
5	Stainless steel cross head screws	M5x16		31	To fix: -Right and left side panels on bottom and intermediate shelf. -Crossbars on the right and left sides. -Tool holder -Cylinder support brackets.	YES
6	Cross head black screws	M5x16		5	To fix handles on cart doors	YES
6	Self-drilling black flat head screws	4,2x16		4	To fix handles on cart doors	YES
7	Cart handles			2		YES
8	Fixed wheels			2	Cart	YES
9	Swivel wheels with brake			2	Cart	YES

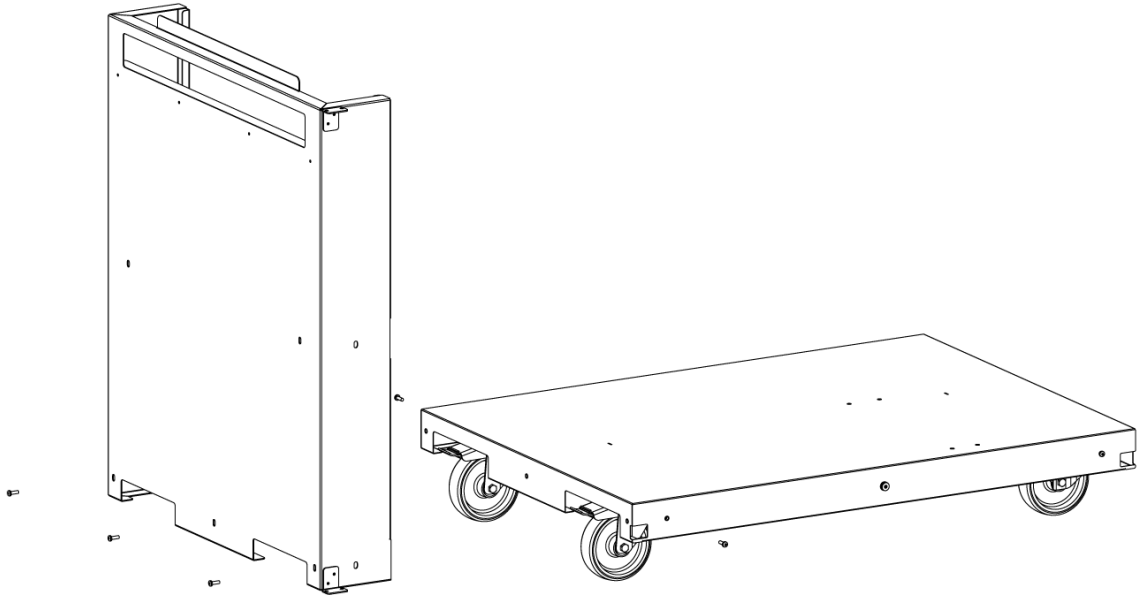
CART ASSEMBLY

N.B. To assemble the product described below, you may need the help of one or more people.

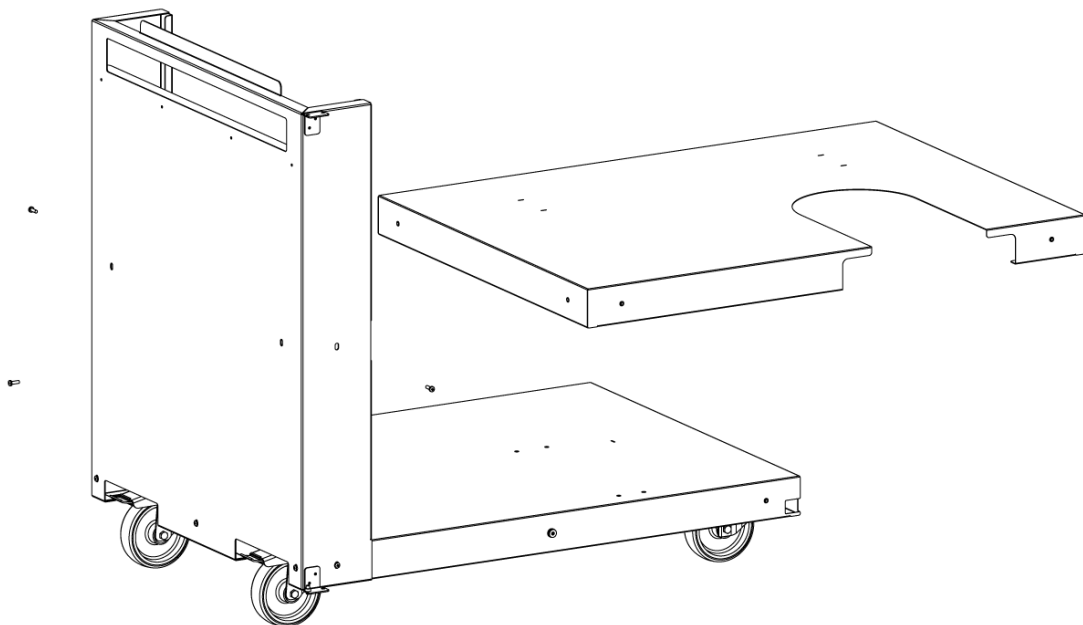
- 1- Place the bottom shelf upside down, protect the surface using a piece of cardboard or a packing sheet. Fix the four wheels using the M6x15 screws with the respective washers, screw them on the threaded inserts already pre-assembled. Be careful to place the wheels with brakes where there are the two specific openings provided for rotation.



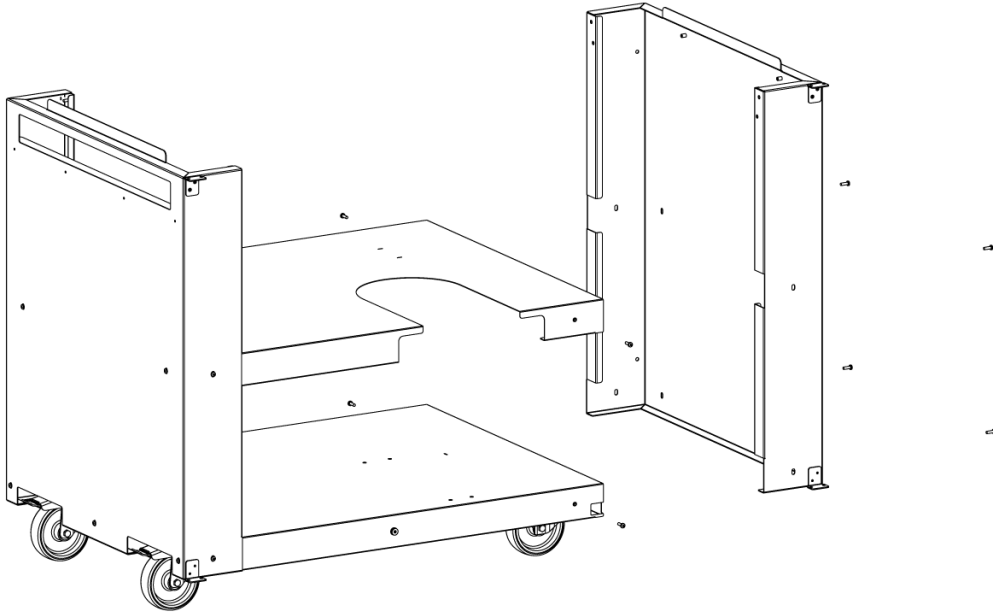
- 2- Put the shelf with wheels back in the original position. We recommend blocking the two wheels by activating the brakes. Take the left side of the cart and screw it with five M5x16 screws as shown in the image below. You may need the help of another person to hold the cart side.



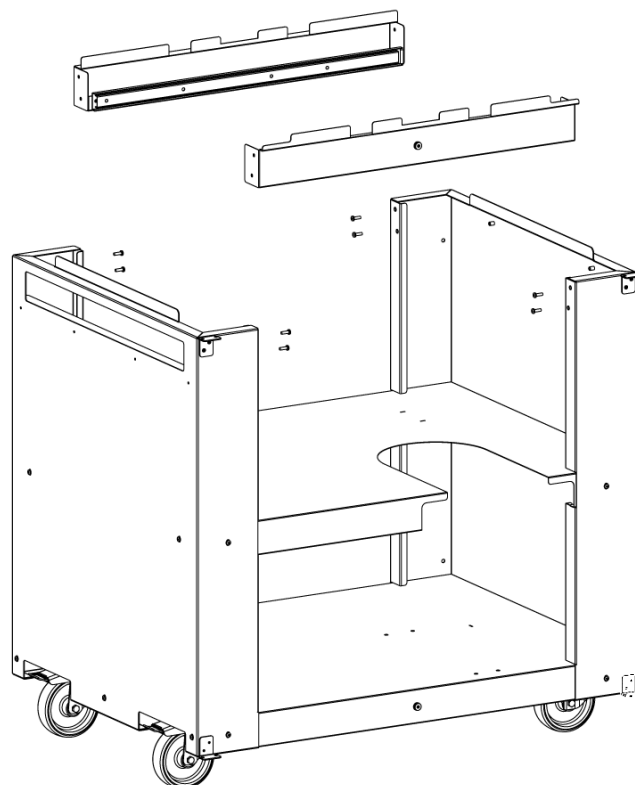
- 3- Take the intermediate shelf and place it in the appropriate slots on the left side. Secure it with four M5x16 screws. You may need the help of another person to hold the cart side.



- 4- While keeping the intermediate shelf, place the right side and fix it to the intermediate shelf and to the bottom shelf using eight M5x16 screws.

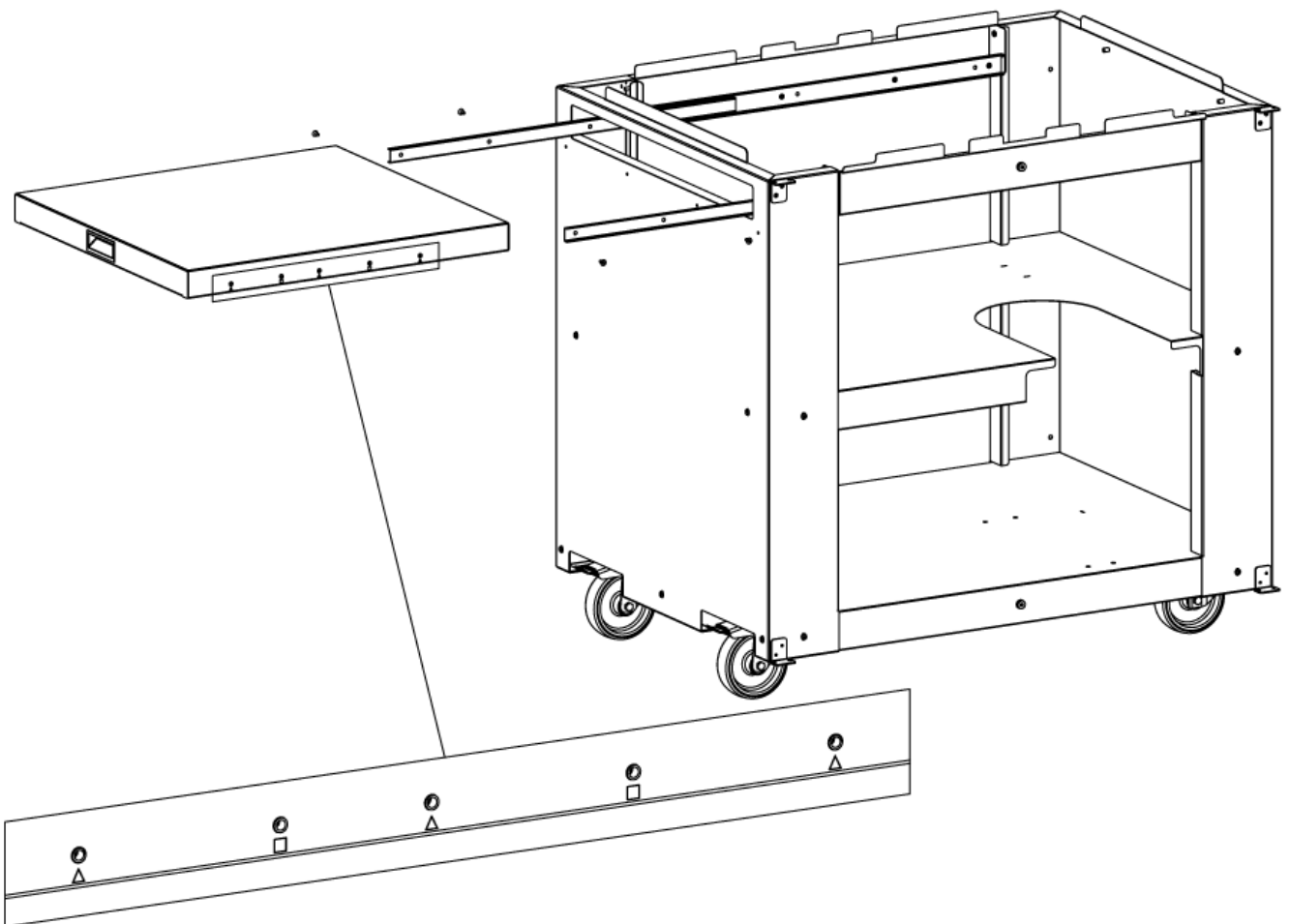


- 5- Take the two crossbars of the trolley with the guides already pre-assembled. Be sure the guides are properly closed. Place them between the two sides, taking care to position the one with the door closing magnets at the front. Fix them with four M5x16 screws per crossbar.

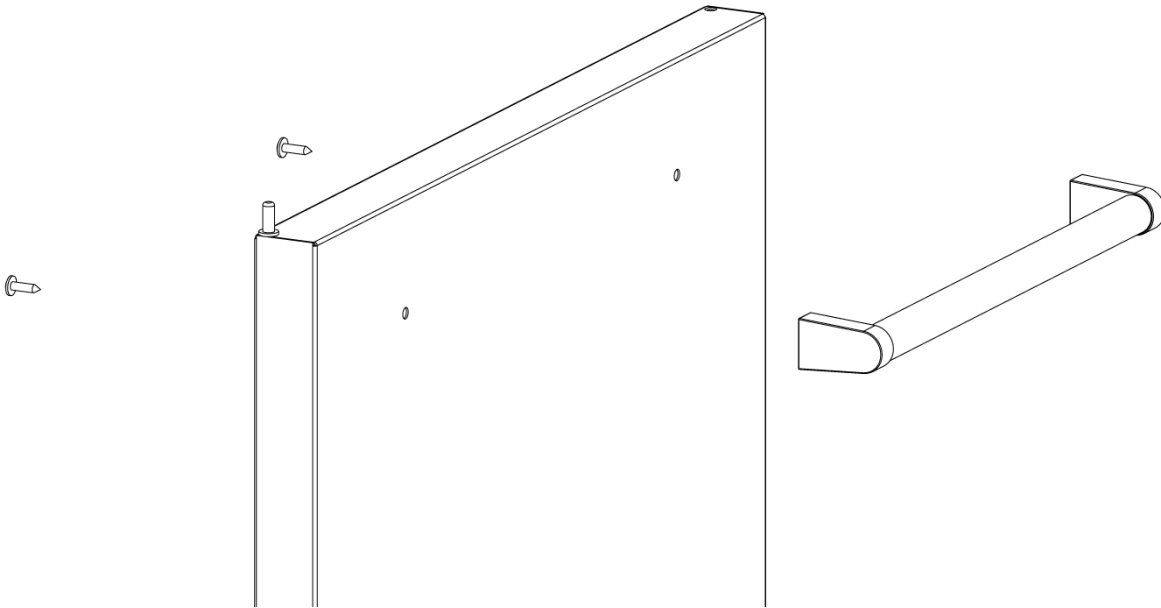


- 6- Pull out the guides and let them come out of the rectangular slot on the left side. Once outside you can assemble the side shelf, paying attention to the symbols. For the 80x60 oven, secure it with four M4x10 screws to the inserts showing the square symbol. For the 60x60 model secure the shelf with 6 M4x10 screws to the symbols showing a triangle. The 100x80 model will have its own side shelf to be fixed with four M4x10 screws.

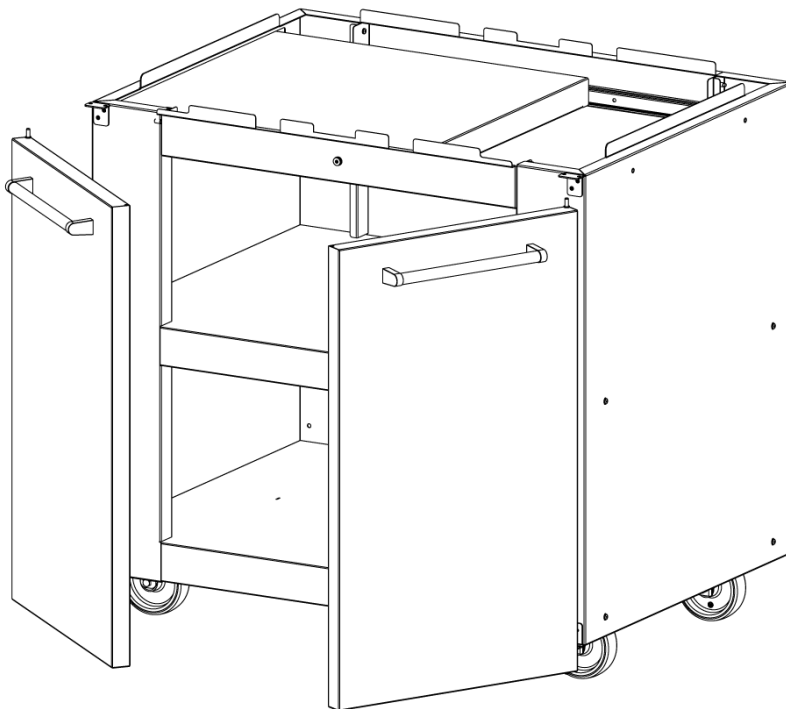
80x60 e 60x60



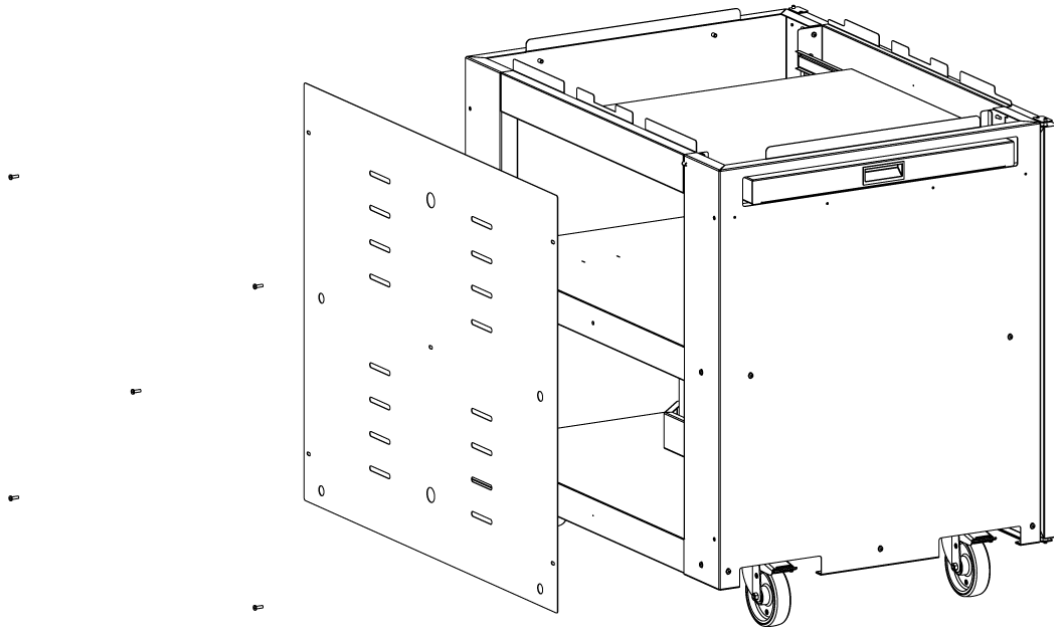
- 7- Take the two door handles and fix them to the doors by using two 4.2x16 self-drilling screws.



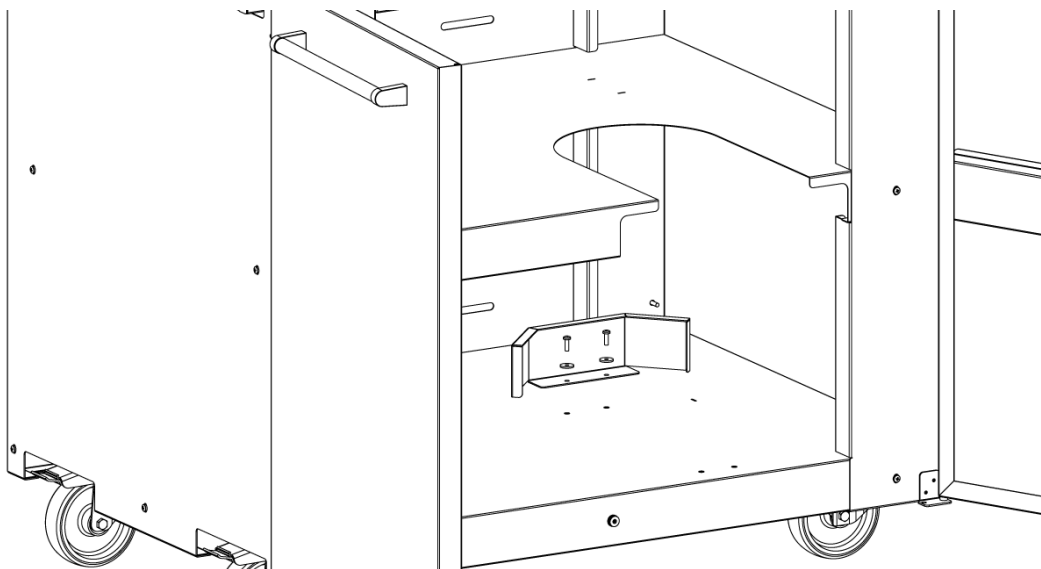
- 8- Mount the two doors by inserting the pins on the doors into the appropriate hinges already mounted on the sides of the cart.
First insert the upper pin (the longer one) into the outer hole on the upper hinge and then insert the lower one into the lower hinge, always using the outer hole.



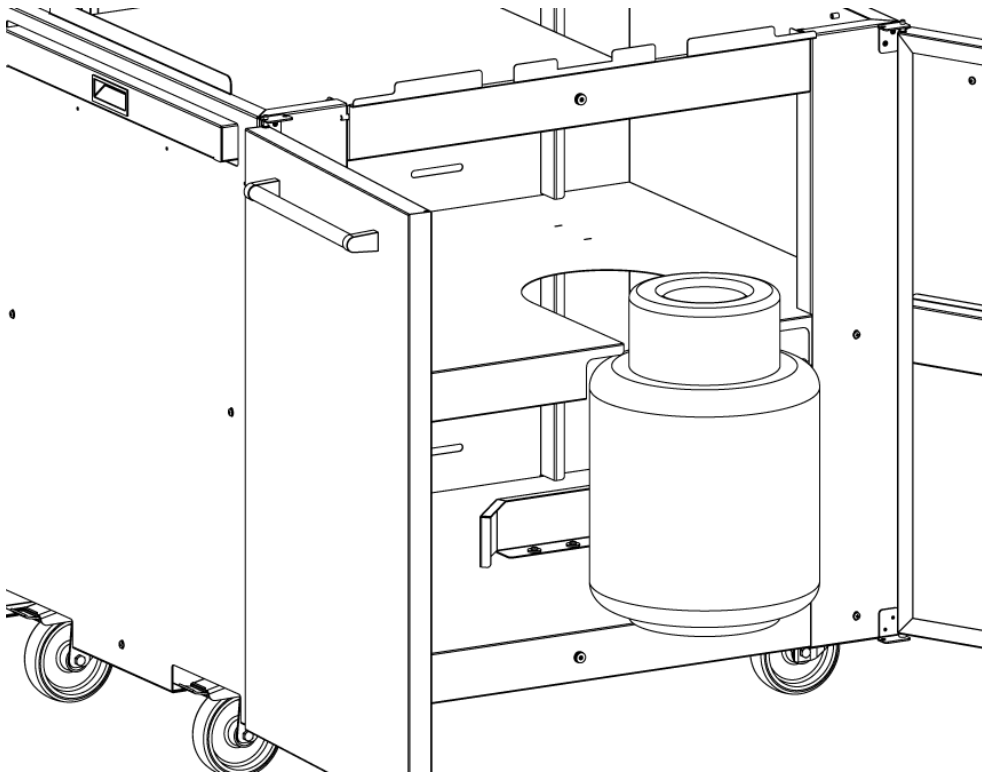
9- Mount the rear panel of the cart using five M5x16 screws as shown in the image below.



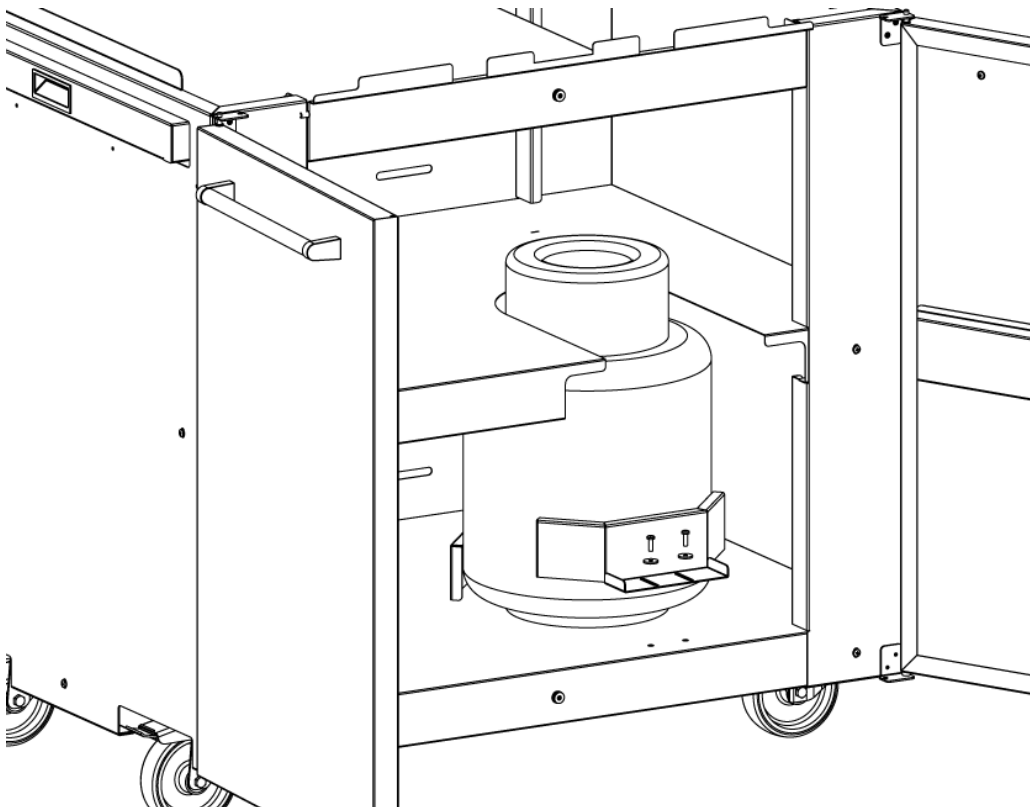
10- If you want to place the cylinder inside the cart, fix the back cylinder support bracket with two M5x16 screws and two 5x15 washers



- 11-** Insert the cylinder until it comes into contact with the previously fixed back cylinder support bracket.



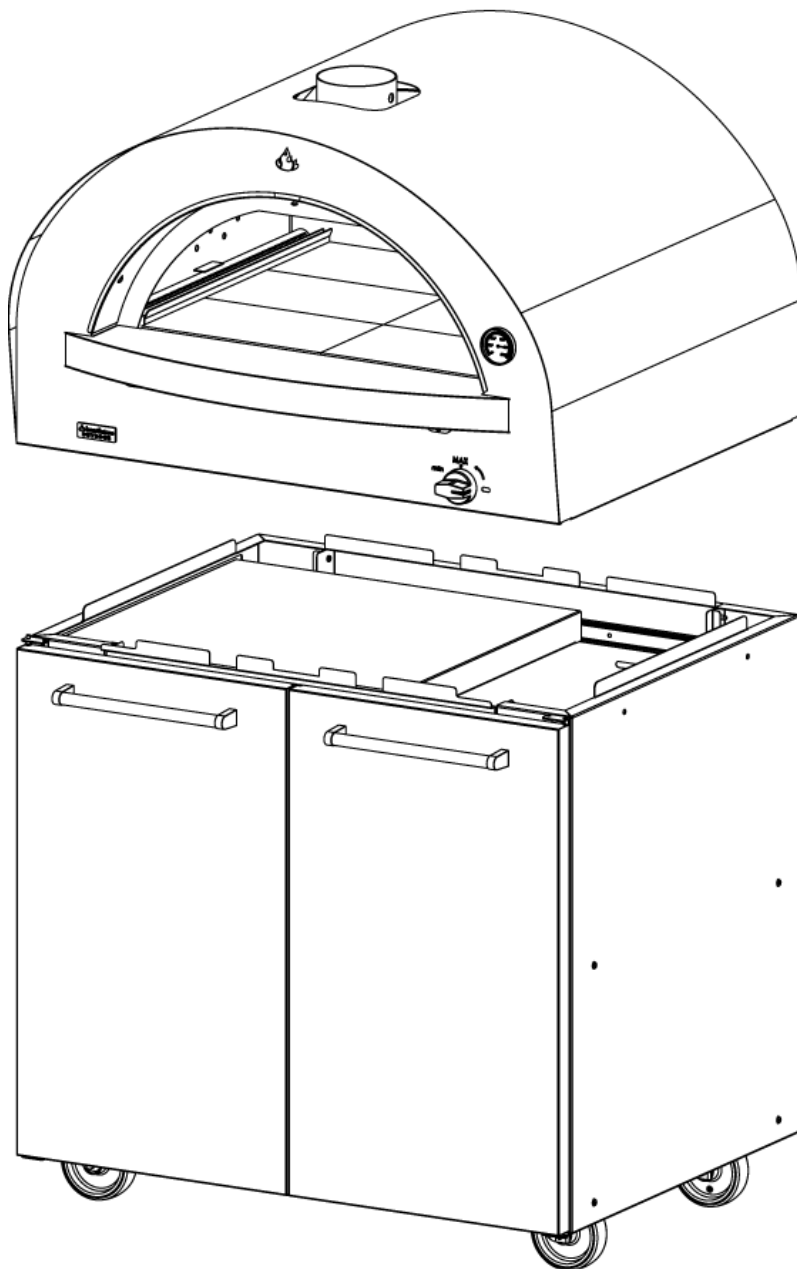
- 12-** Stop the cylinder with the front support bracket. Fix it using two M5x16 screws and the respective 5x15 washers. The support bracket has two slots that allow it to slide until the bracket fits perfectly with the cylinder.



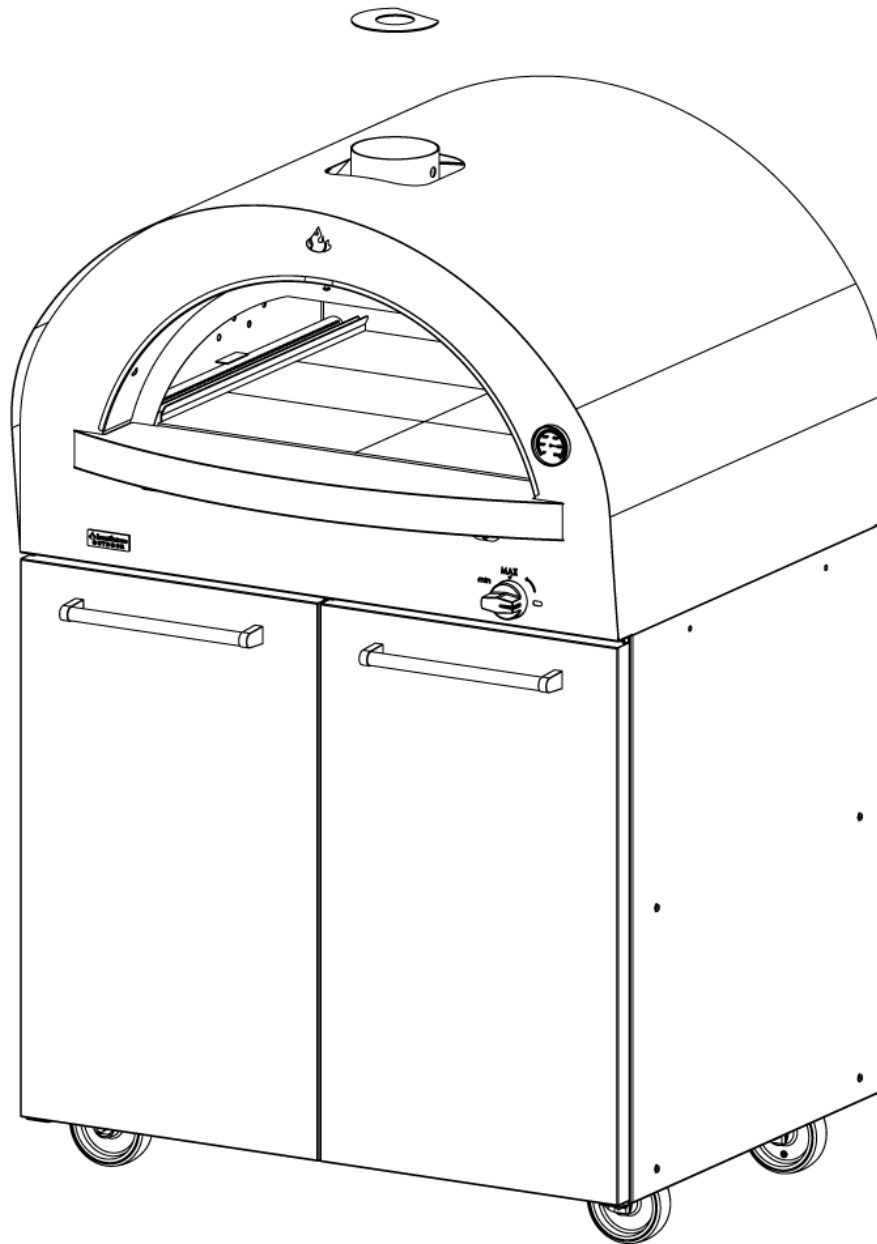
ASSEMBLY THE OVEN ON THE CART

The oven is heavy, *you will need the help of more people to lift it up.*
If you have a crane, you can hook the oven to the bar across the flue opening.

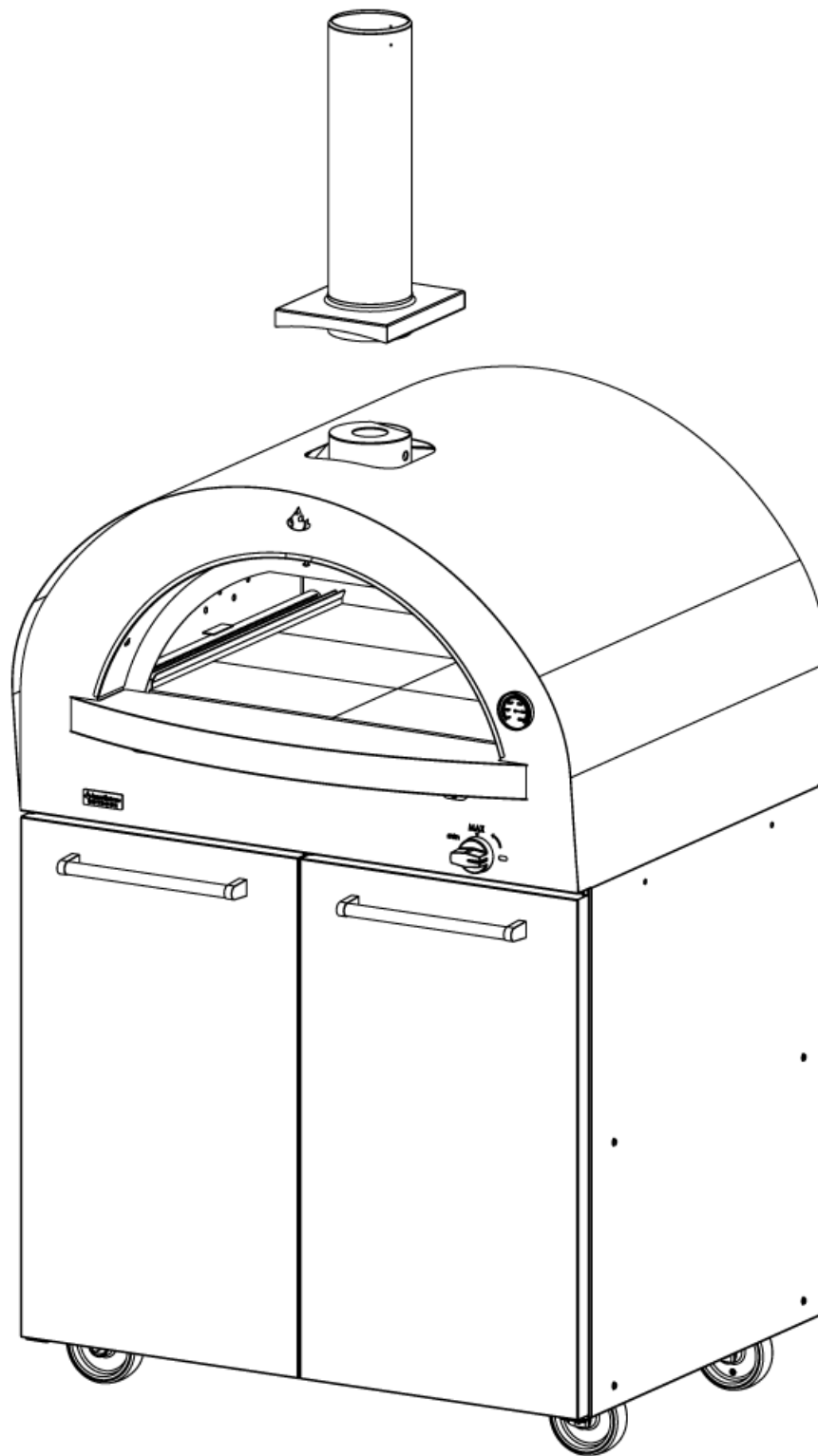
- 13-** Prima di posizionare il forno sul carrello accertarsi di avere un aiuto sufficiente per sollevarlo e adagiarlo su di esso. Rimuovere la *porta del forno* prima di effettuare questa operazione. Il carrello è stato realizzato con delle linguette di centraggio pensate per abbinarsi con precisione al forno.



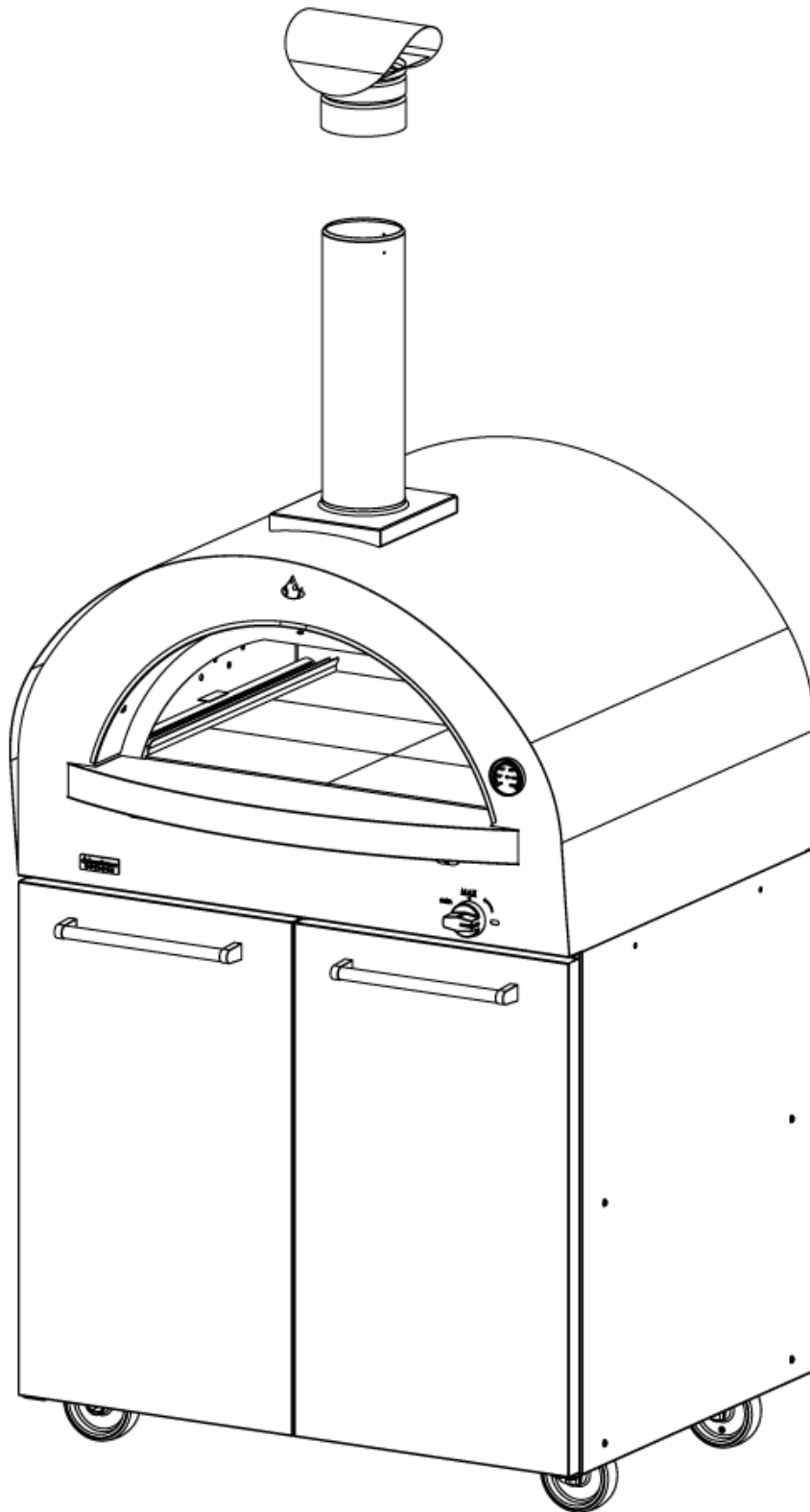
14- When the oven is safely placed on the cart, take the diaphragm and place it over the flue opening.



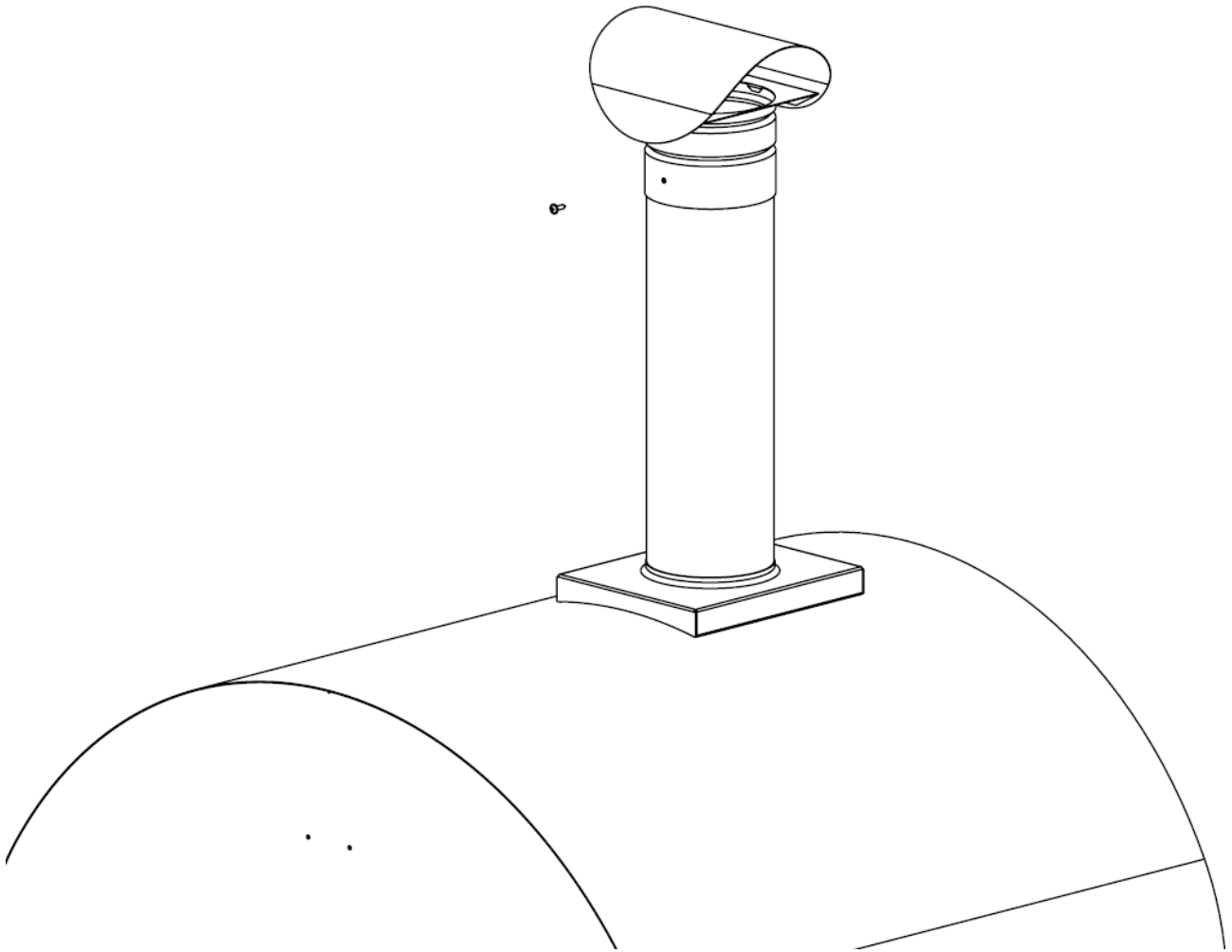
15- Take the chimney flue and insert it on the flue opening of the oven.



16- Insert the chimney cap.



17- You can fix the cap to the flue using the 4.2x16 self-drilling screw supplied.



18- Secure the tool holder accessory to the right side of the cart using two M5x16 screws.

