

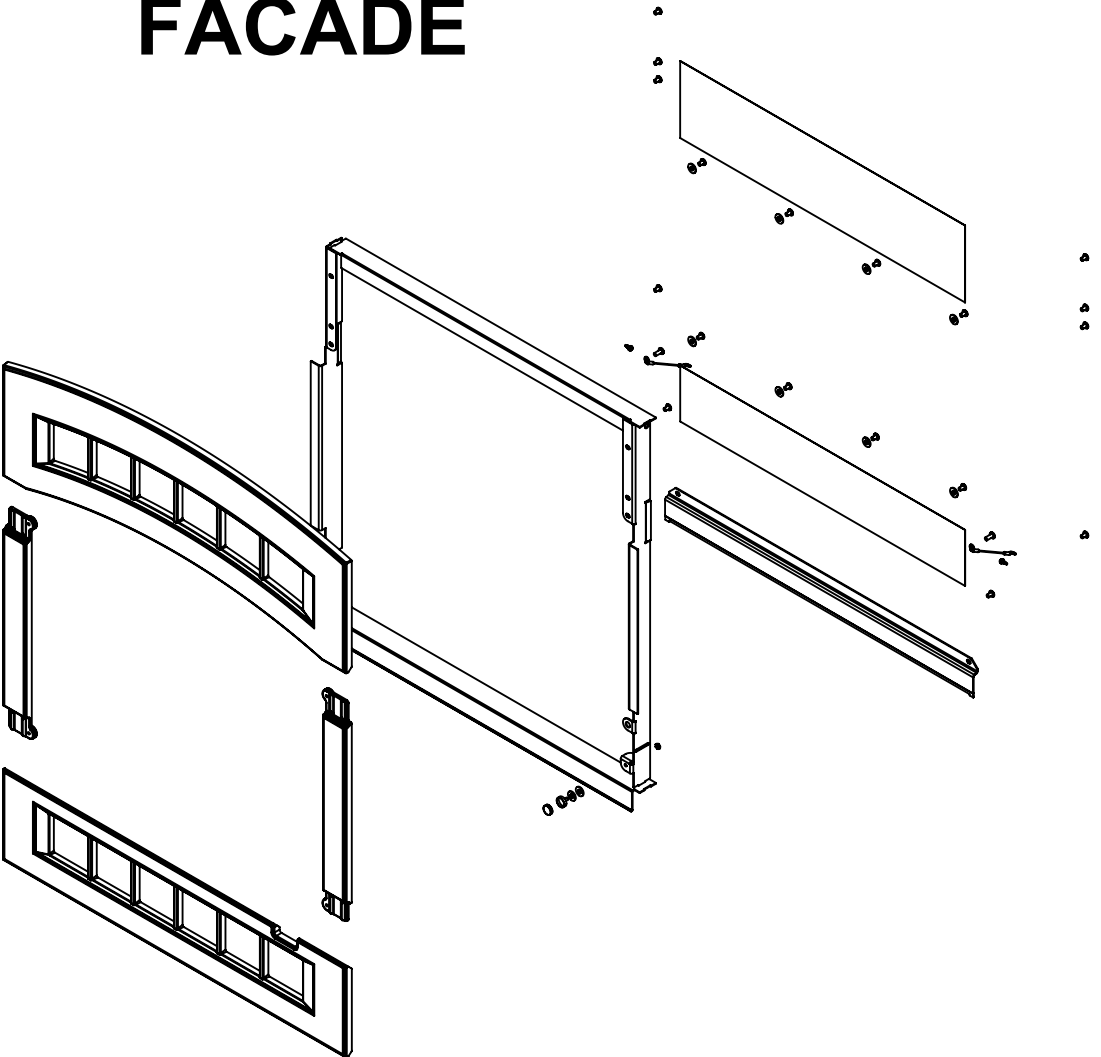


WFP 75 - 8411

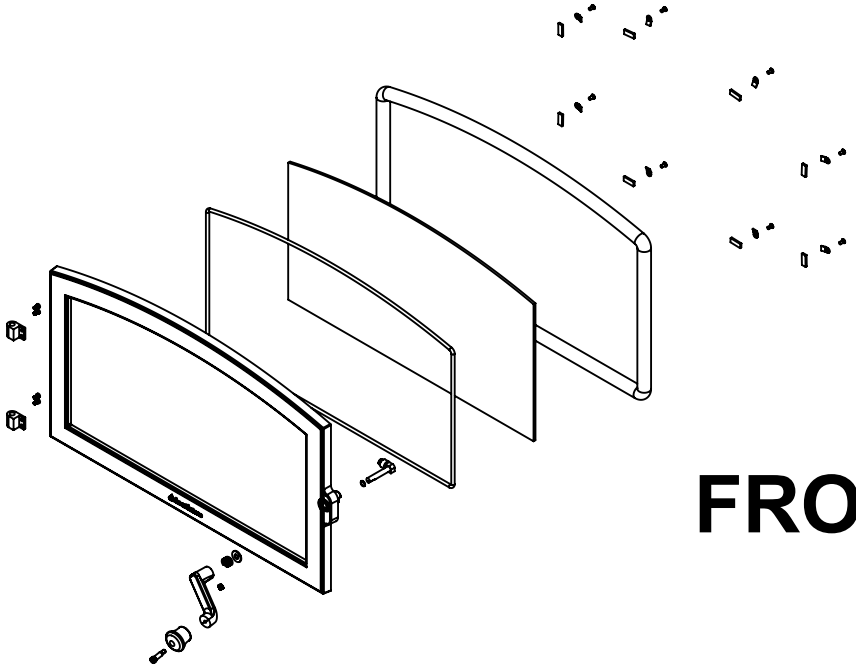


Illustrated Parts List

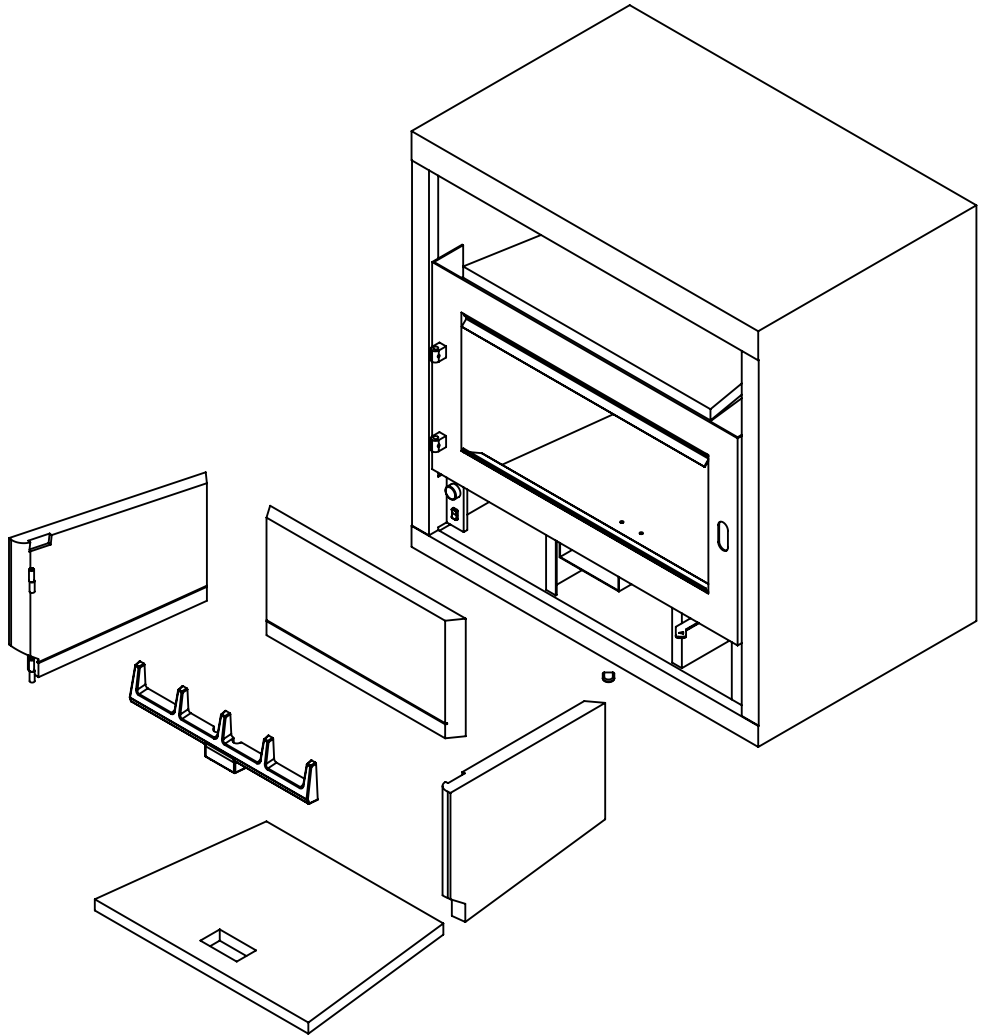
FACADE



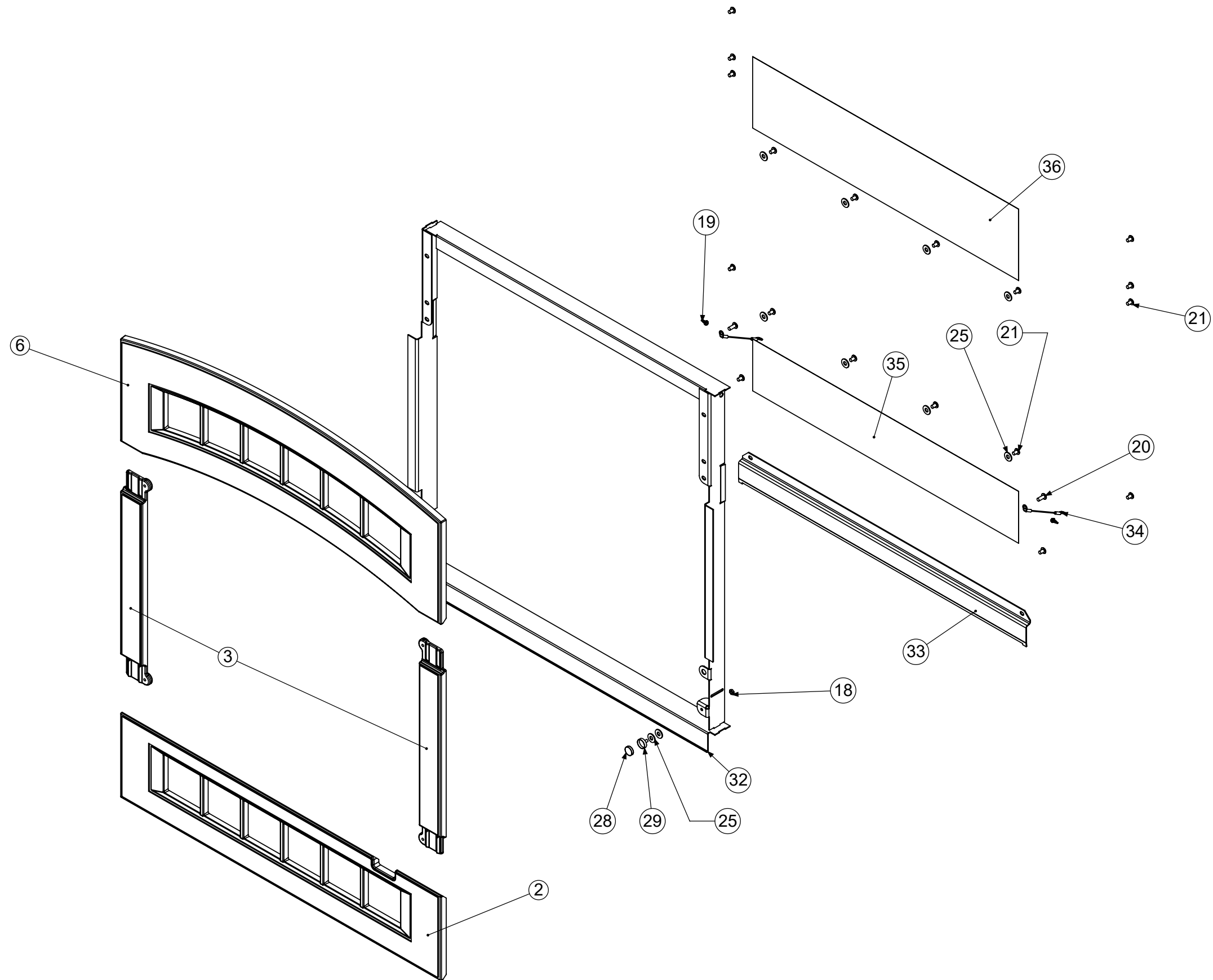
FRONT DOOR



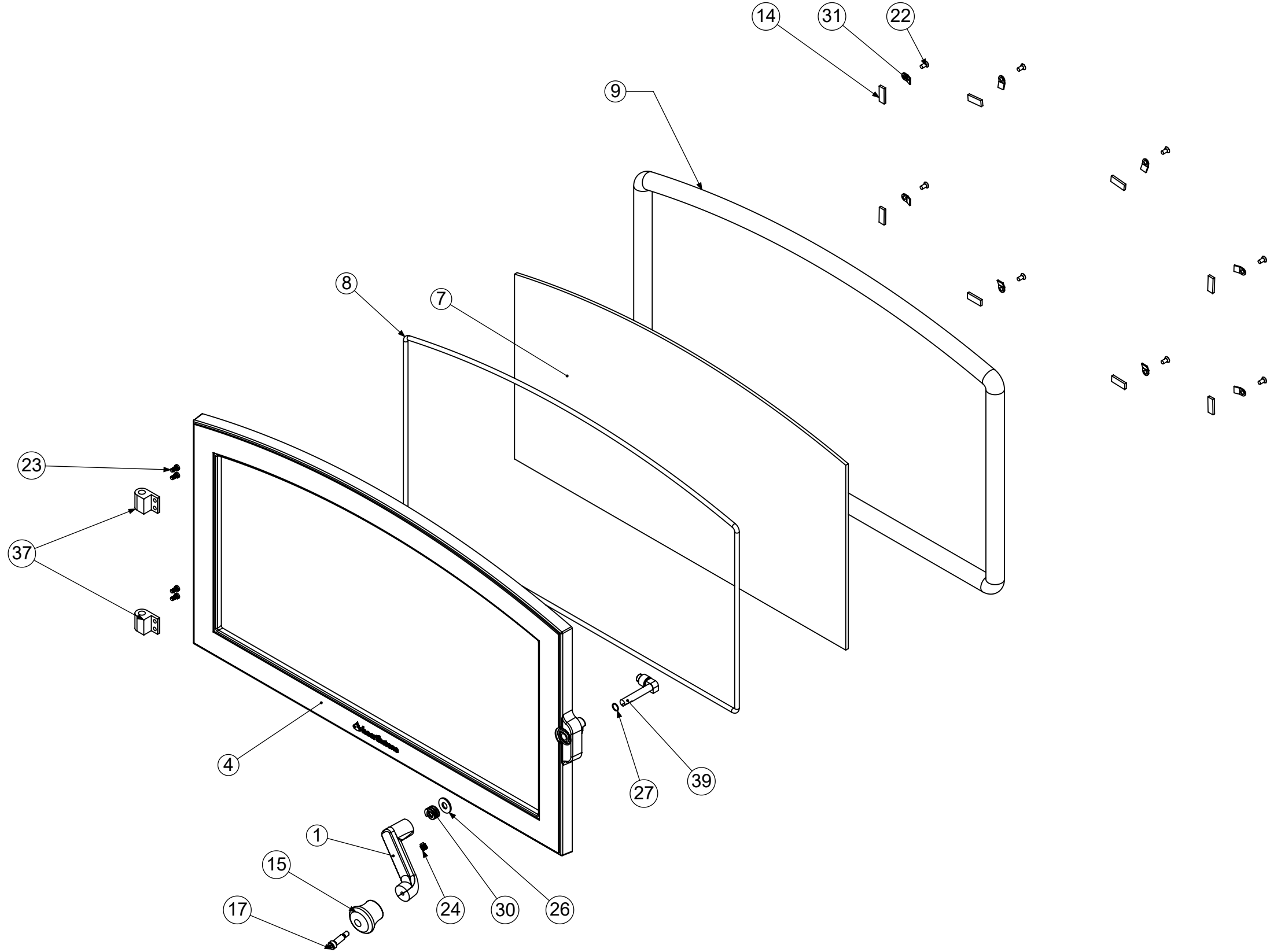
FIREBOX



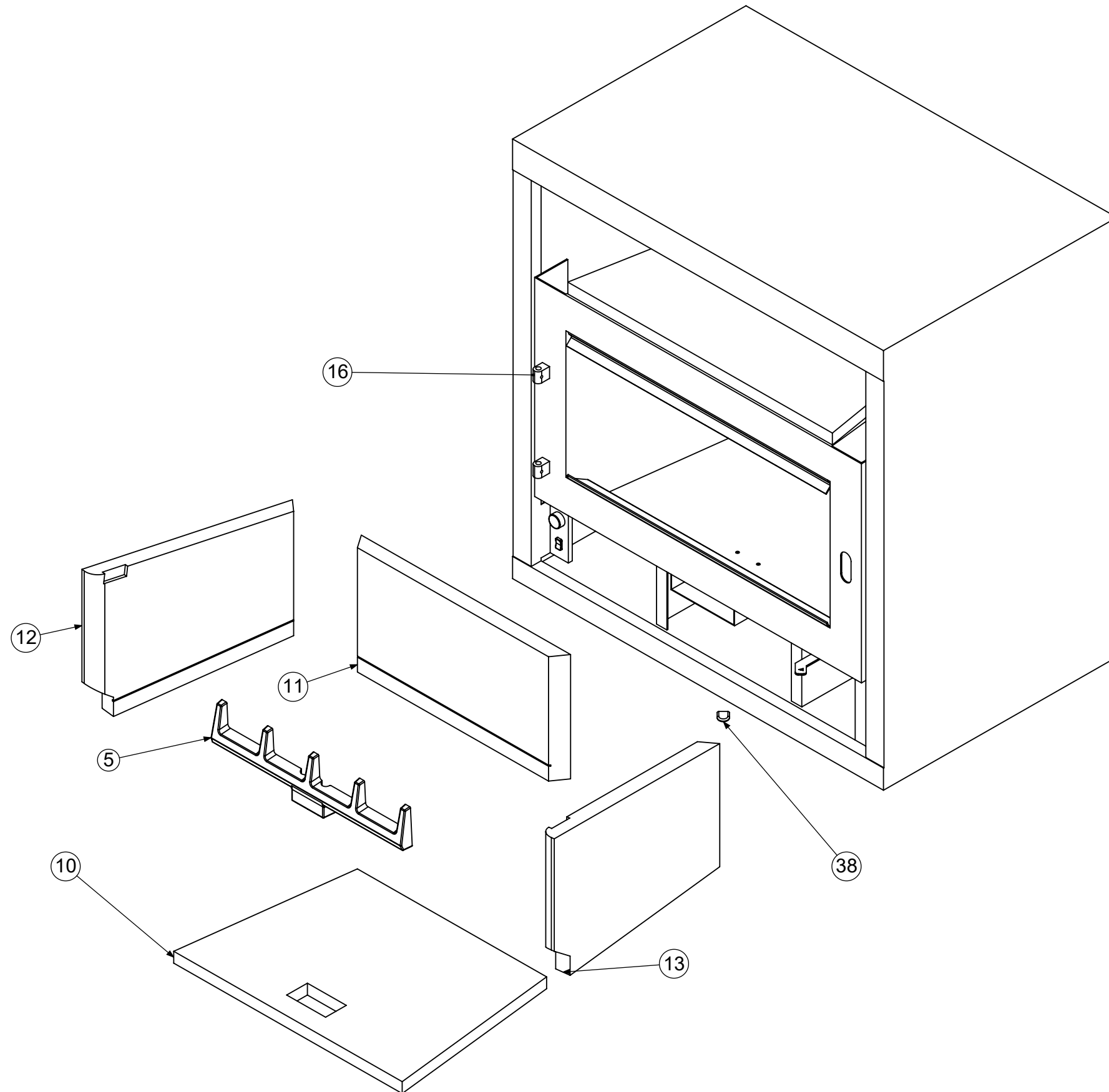
FACADE



FRONT DOOR



FIREBOX



BILL OF MATERIALS

NO.	Component number	Object description	Qty
1	2310-617	DOOR HANDLE	1
2	2410-101	FACADE: BOTTOM, MONTG, MATTE WFP 75.1	1
3	2410-105	Facade: Side, Montgomery, MATTE, WFP 75	2
4	2410-110	Door: Montgomery, WFP-75	1
5	2410-115	Andiron, Montgomery, WFP 75/GMi90	1
6	2410-120	Facade: Top, Montgomery, WFP 75	1
7	3030-068*	Glass: 25.3"x13.6", Montgomery, WFP 75	1
8	3110-056*	GASKET: ROPE, 1/4", BLK, AD, 1,080 FT/SP	1
9	3110-067*	GASKET: ROPE, 1", (06) DEN, BLK, 200 FT/BX	1
10	3120-410	PANEL: CERAMIC, BOTTOM(22137), WFP 75	1
11	3120-411	PANEL: CERAMIC, BACK, WFP 75	1
12	3120-412	PANEL: CERAMIC, LEFT(22139), WFP 75	1
13	3120-413	PANEL: CERAMIC, RIGHT(22140), WFP 75	1
14	3120-021*	GASKET: GLASS CLIP, BLACK, HER 1/TRI/BRI	8
15	3900-191	KNOB: SIDE & FRONT DOOR	1
16	3941-100	STOVE: WFP-75 1, FIREBOX ASSEMBLY	1
17	4100-0285	SHSSCREW 0.3125x0.75-N	1
18	4200-0855	10-24 Nut	1
19	4500-0025	SCREW: S-TAP, #8 X1/2", HEX, ZN	2
20	4500-0430	SCREW: MACH, 1/4-20x5/8", PAN, PH, BL OX	2
21	4500-0540	SCREW: MACH, 1/4-20x3/8", PAN, PH, ZN, BLK	18
22	4500-2105*	SCREW: MACH, 10-24x3/8", UN-CUT, FLAT, PH,	8
23	4500-2130	SCREW: SHCS, LOW, 10-24X3/8", BL OX	4
24	4500-2976*	SCREW: SET, 5/16-18x3/8", HALF DOG, SOCKET	1
25	4600-0300	WASHER: FLAT, 1/4, USS, BLK OX (3/4" OD)	10
26	4600-0800*	WASHER: FLAT, 5/16, USS (7/8" OD), BLK ZN	1
27	4700-0790*	SPACER: DOOR LATCH, 0.435"x0.375"x0.03"	1
28	4700-0800	MAGNET: VALVE DOOR, 3/4"Dx3/16", CHA/ST	1
29	5120-066	MAGNET MOUNT	1
30	5240-138*	SPRING: LATCH, WOOD STOVES, 325#	1
31	5370-068*	CLIP: GLASS	8
32	5411-011	Frame: Façade, WFP 75.1	1
33	5411-015	Hinge: Façade:Bottom, WFP 75.1	1
34	5410-020	Cable: Door Stop, 1/16"Dx5", 2 eyes	2

35	5410-025	SCREEN: FACADE,BOTTOM,MONTGOMERY WFP 75	1
36	5410-030	Screen: Facade:Top, Montgomery, WFP 75	1
37	5410-035	Hinge: Door, WFP 75	2
38	5410-040	CAP: AIR CONTROL HANDLE, WFP-100	1
39	5410-045*	LATCH ASSEMBLY: DOOR, WFP 75	1

*** = Available only in a kit**

Replacement Parts and Kits

Part Number	Description
5411-071	AIR TUBE 1 – BACK
5411-072	AIR TUBE 2 – MIDDLE BACK
5411-073	AIR TUBE 3 – MIDDLE FRONT
5411-074	AIR TUBE 4 – FRONT
3120-4141	C-CAST BAFFLE
3120-4151	TOP INSULATION (2 ½" THICK)
7211-9412	BLOWER
94-99100	GRAVITY CONVECTION AIR KIT
94-58106	DOOR GASKET KIT
94-58100	DOOR GLASS KIT
94-99110	MODERN CONVECTION AIR KIT
94-73100	DOOR LATCH KIT
94-57110	FORCED AIR KIT
94-69110	FIRESCREEN