

# Technical Data Sheet

## Heritage 8021, Tribute 8040, Castleton 8030/8031 Front Door Latch Kit Instructions 90-73212

### Included in Kit:

- (1) 5021-022 Latch
- (1) 5010-081 Chrome Crank
- (1) 5240-138 Spring
- (1) 5021-032 Flat Washer
- (1) 4500-2976 Set Screw
- (4) 4700-0790 Latch Spacer

### Tools Required:

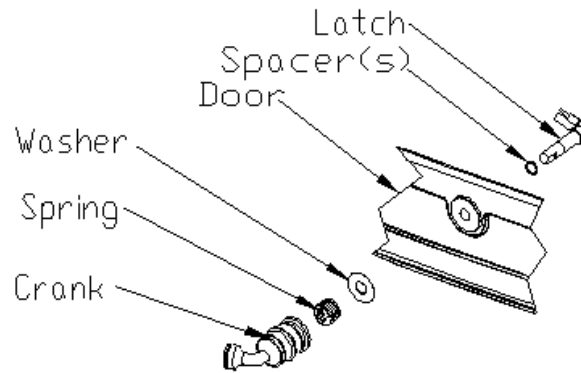
- 5/32" Allen Wrench
- Flat Head Screwdriver
- Pliers
- Grease

**Before You Begin:** Work on a cool stove. If your door will not latch after installing this kit, consider replacing your front door frame.

### Procedure:

- 1) Open the front door of your stove. Locate the setscrew in the crank of your existing latch. Using the 5/32" Allen Wrench, remove the setscrew by spinning counter clockwise.
- 2) Using pliers, hold the foot of the latch, while spinning the crank counter clockwise, to separate the crank from the latch shaft.
- 3) Remove and discard the old spring, latch, and washer.
- 4) Prep the new latch by installing 3 of the 4 included latch spacers on the latch shaft.
- 5) Apply a small amount of grease to the smooth portion of the latch shaft, to keep the latch operating smoothly.
- 6) Slide the prepped latch through the door, from the inside, out.

- 7) Install the flat washer onto the latch shaft, followed by the coil spring. See **Figure 1** for component arrangement.



**Figure 1**

- 8) Locate the groove in the latch shaft. This will need to be aligned with the hole in the crank. Install the new crank onto the latch shaft by rotating it clockwise. Stop when there is a 1/8" gap between the crank and the door.
- 9) Align the hole in the crank with the groove in the latch shaft. Install the setscrew and rotate clockwise until tight.
- 10) Transfer the handle assembly from the old crank to the new crank by removing the bolt that goes through the handle. This is done with a flat head screwdriver.
- 11) Test the door. If the latch is too tight, disassemble, and add the 4<sup>th</sup> latch spacer, and repeat steps 5-9.



Scan the QR code above with a smart device to view a video of this repair!