



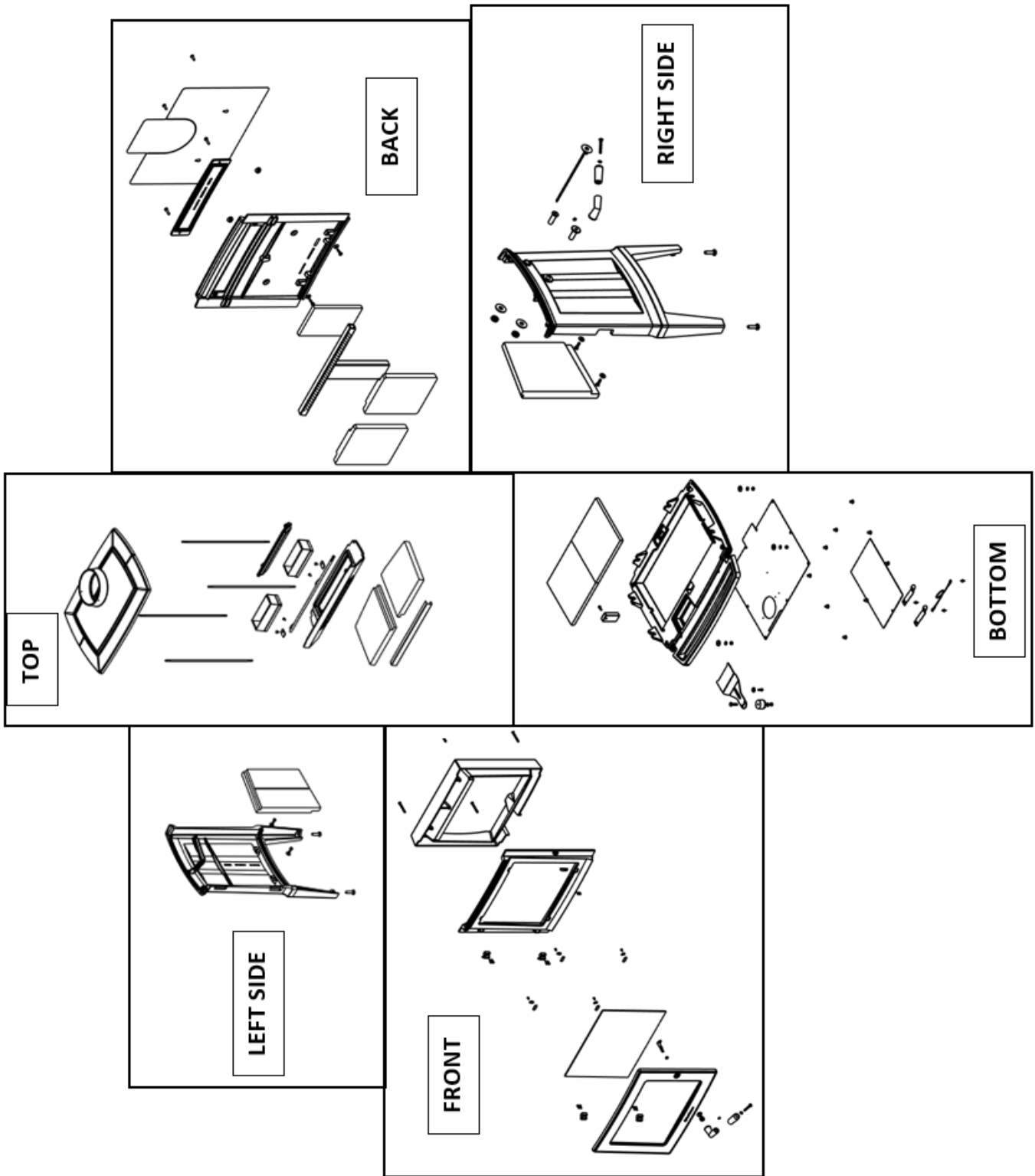
Green Mountain 40

Model 8640

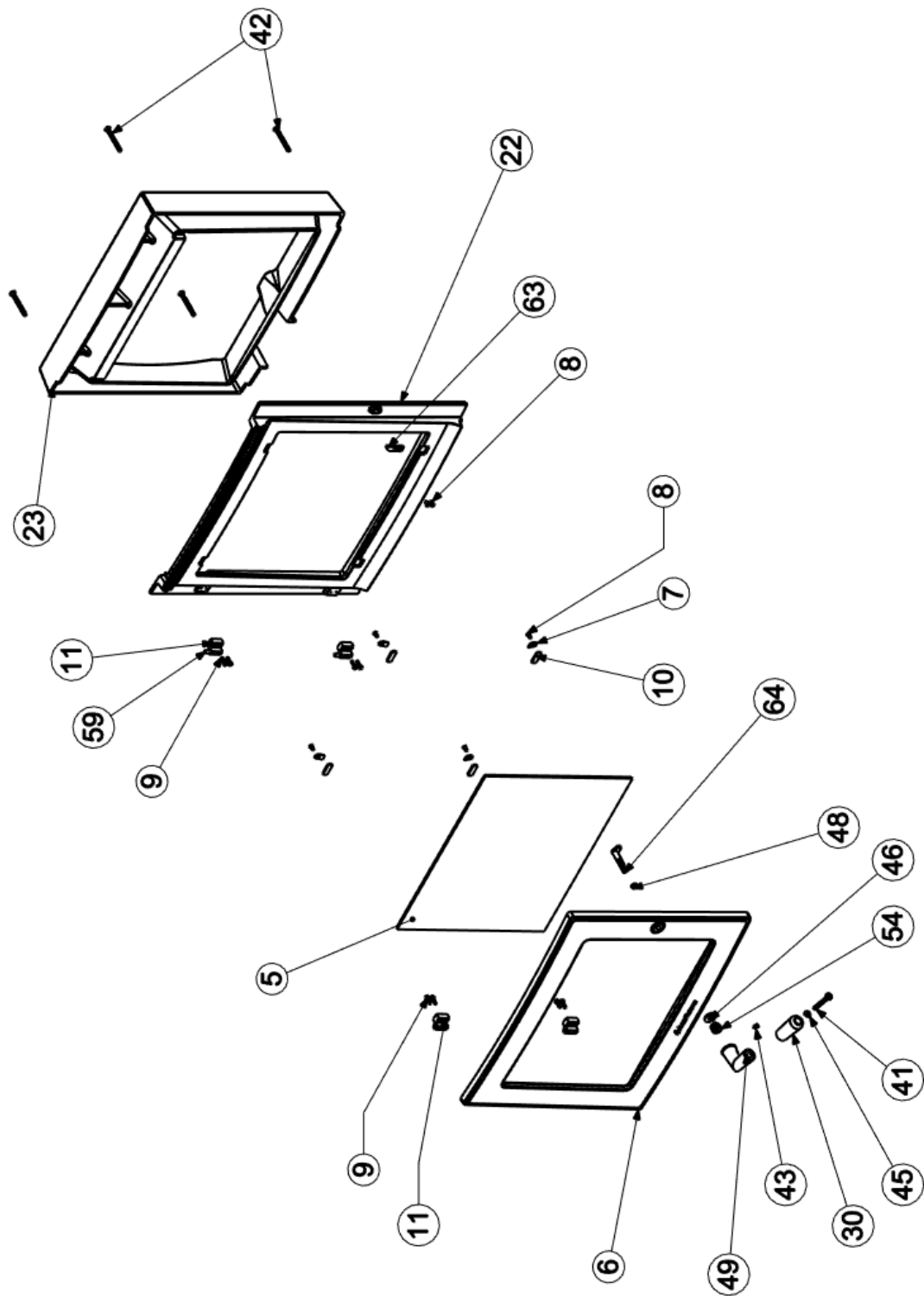


Illustrated Parts List

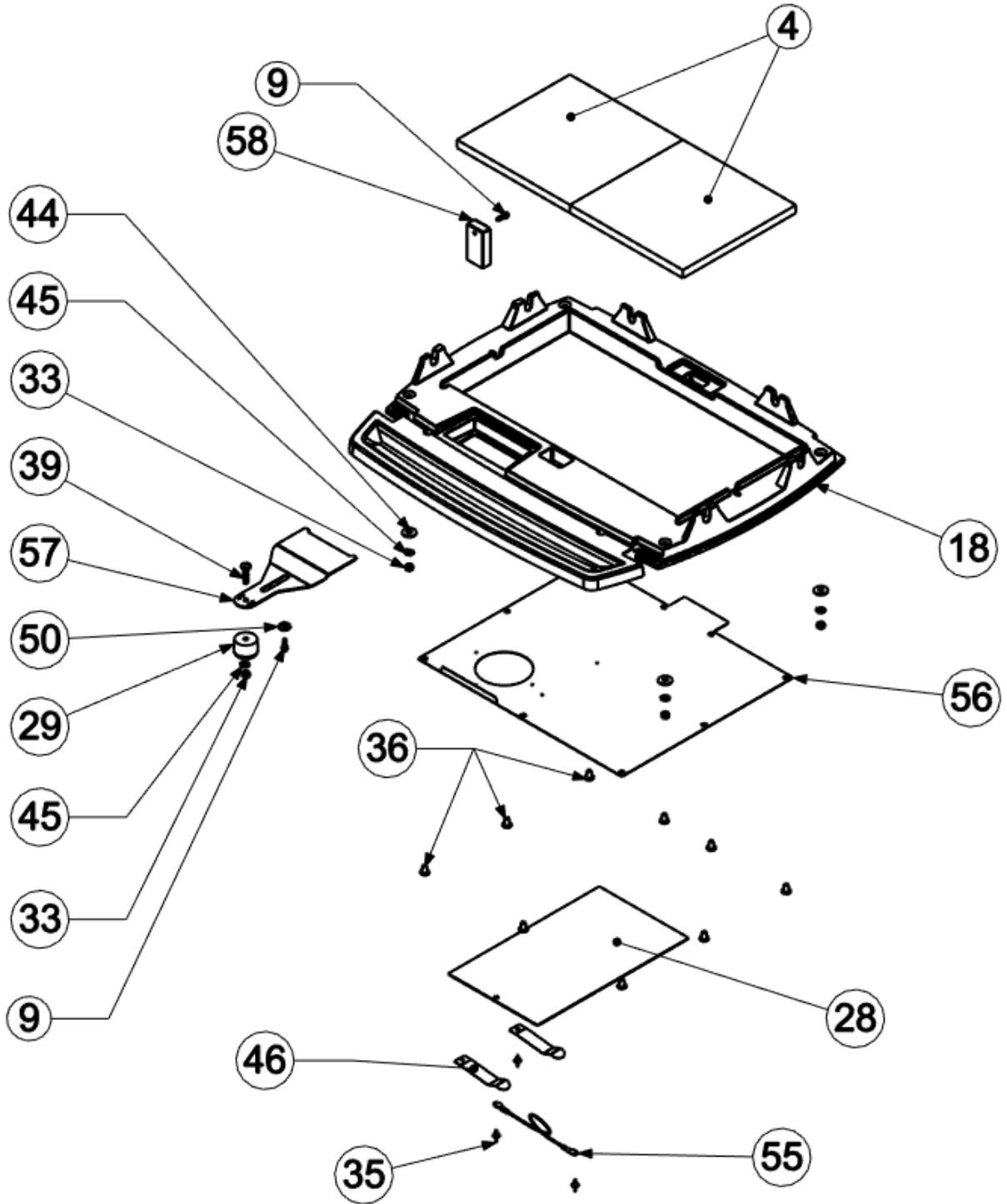
Full Assembly



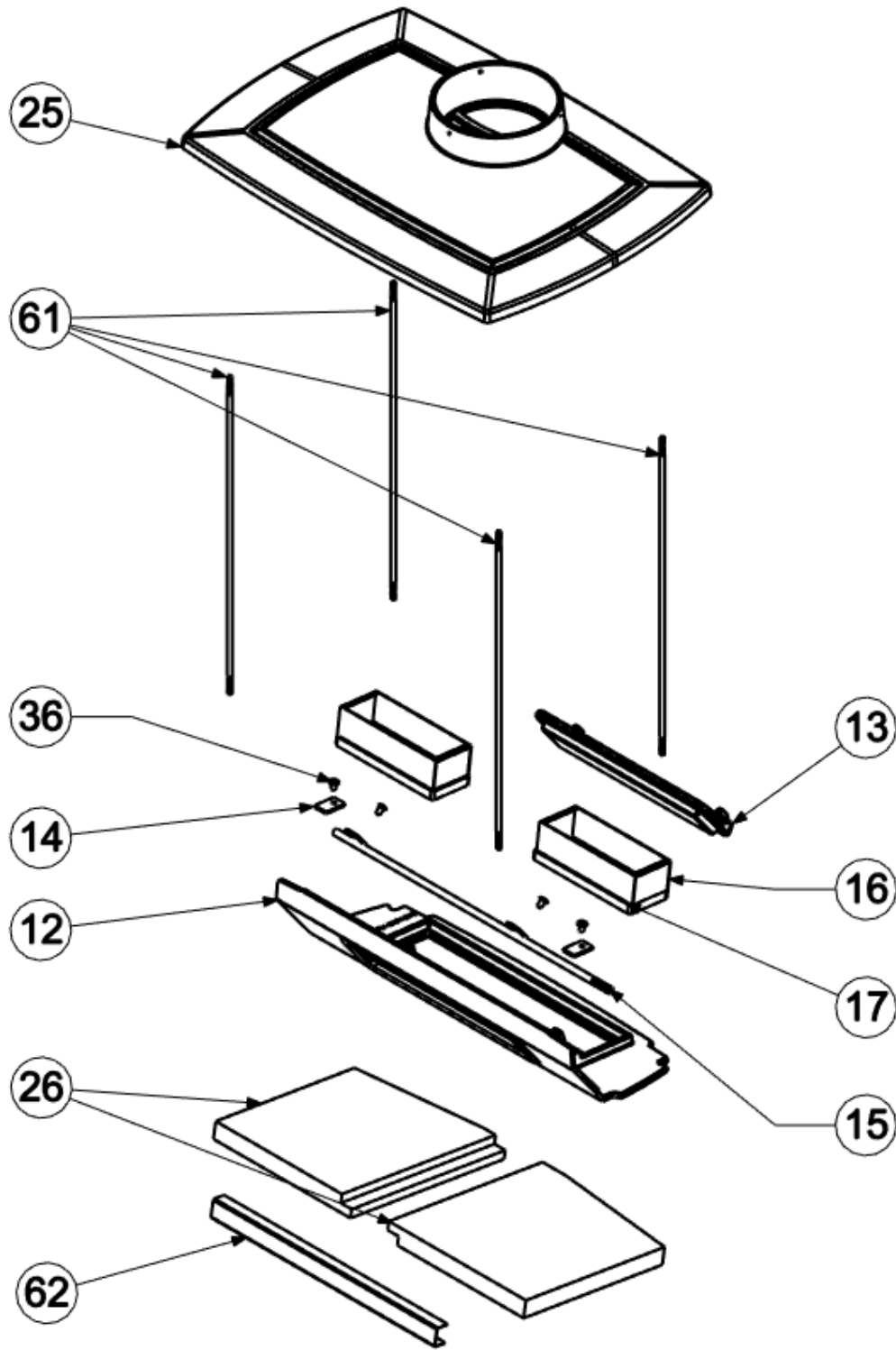
FRONT



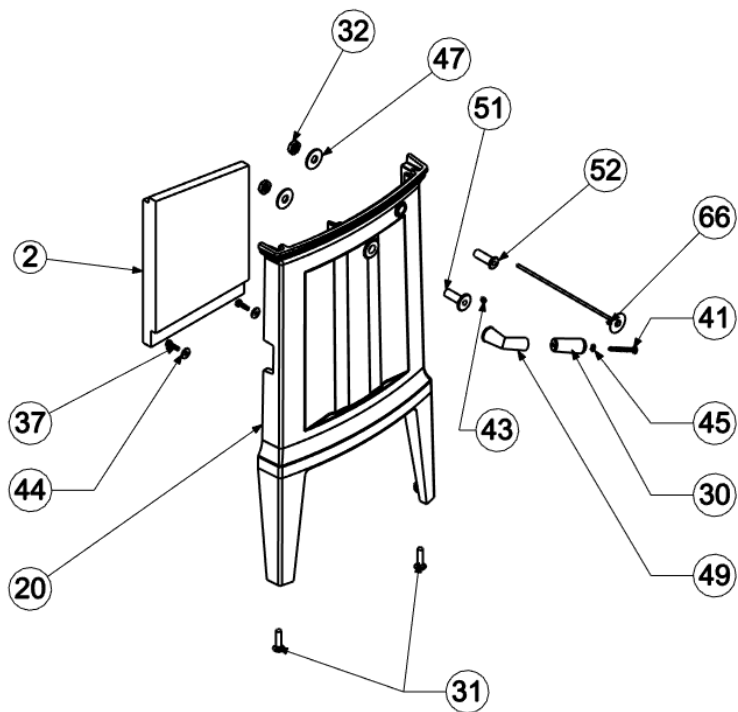
BOTTOM



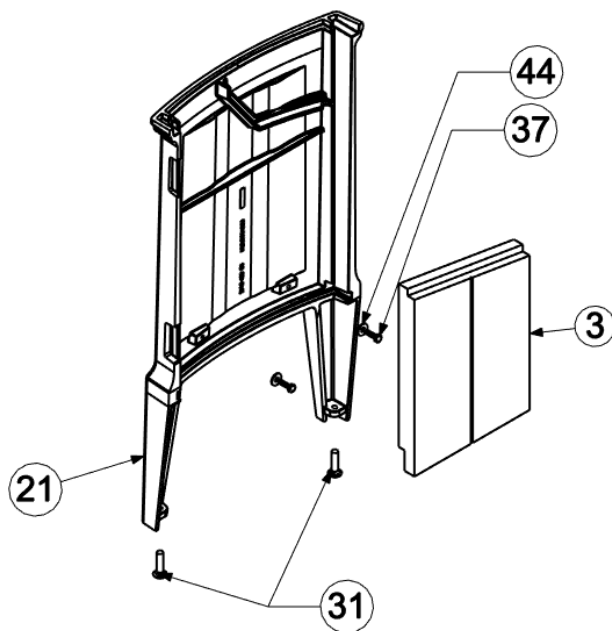
TOP



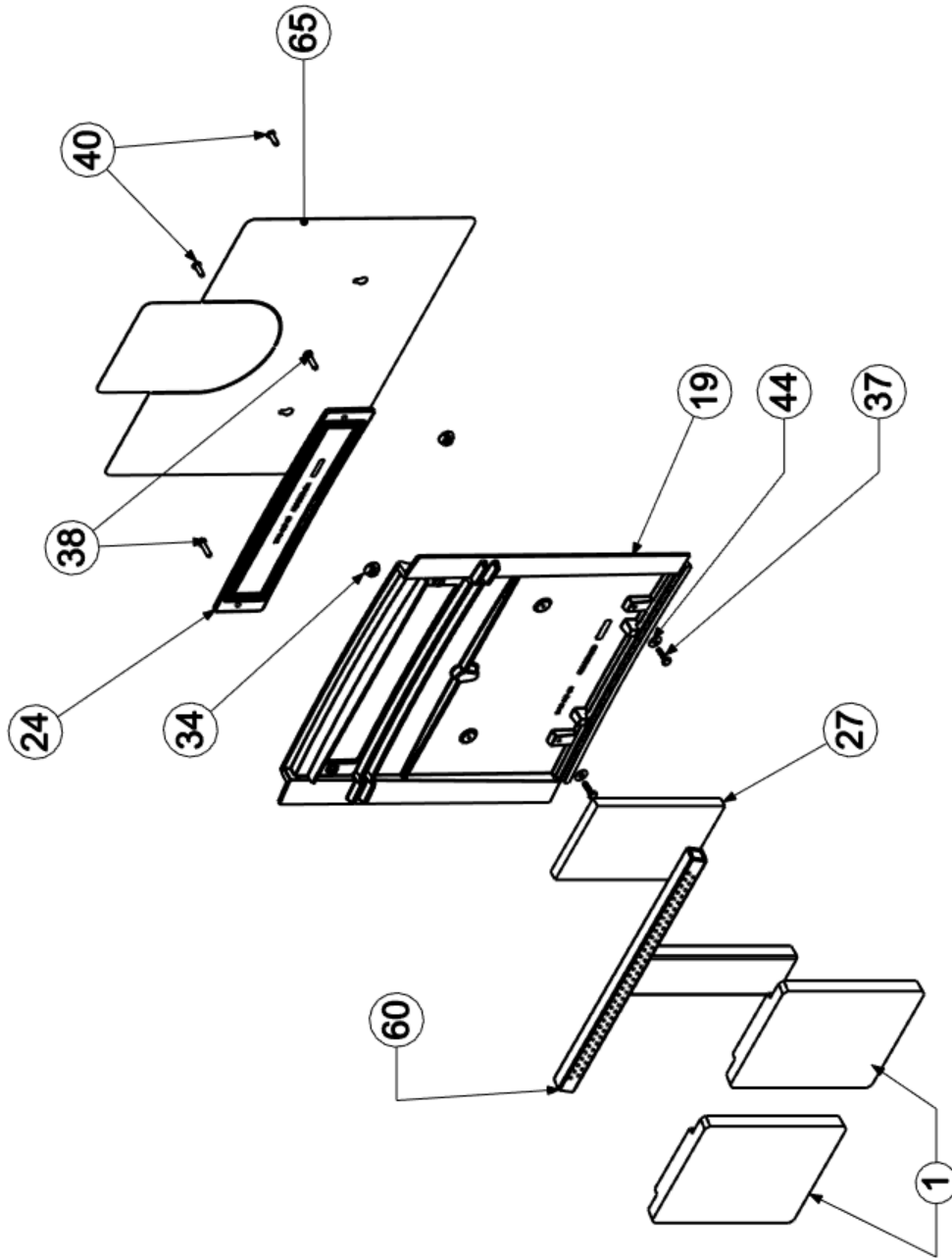
RIGHT SIDE



LEFT SIDE



BACK



Bill of Materials

ITEM NO.	PART NUMBER	DESCRIPTION	QTY.
1	1-0600-400	REAR STONE	2
2	1-0600-401	RIGHT SIDE STONE	1
3	1-0600-402	LEFT SIDE STONE	1
4	1-0600-403	BOTTOM STONE	2
5	3030-053*	GLASS	1
6	2610-435	Door	1
7	5370-068*	CLIP: GLASS	4
8	4500-2105*	SCREW: MACH,10-24x3/8",UN-CUT,FLAT,PH,	6
9	4500-2132	SCREW: SHCS,10-24x1/2",BL OX	10
10	3120-021*	GASKET: GLASS CLIP,BLACK, HER 1/TRI/BRI	4
11	5640-009	HINGE BLOCK	4
12	2610-440	CATALYST PLATE	1
13	2610-445	Bypass	1
14	5640-018	BYPASS RETAINER	2
15	5640-016	GM40 Bypass Rod Assy	1
16	3050-010*	CATALYST, 6"	2
17	3160-080*	GASKET, TAPE, 3/4"X 1/16", AD (1985/SPO	2
18	2610-405	Bottom	1
19	2610-410	Back	1
20	2610-415	Right Side	1
21	2610-420	LEFT SIDE	1
22	2610-425	Front Casting	1
23	2610-430	PRIMARY MANIFOLD	1
24	2610-450	Catalyst Access Cover	1
25	2610-455	Top	1
26	3070-020*	BAFFLE	2
27	3070-023	REAR INSULATION	1
28	3300-750	LABEL: SAFETY/RATING,GM40	1
29	3900-173	PRIMARY AIR KNOB	1
30	3900-175*	HANDLE - DOOR / BYPASS	2
31	4100-0127	BOLT: CARRIAGE,3/8-16x1-1/2	4
32	4200-0100	1/4" PIPE LOCK NUT	2
33	4200-0200	NUT: FINISHING,1/4-20,HEX,ZN	5
34	4200-0410	NUT: TAMPER-RESISTANT,3/8-16,ZN	2

Bill of Materials

35	4400-0100	RIVET: BLIND, 1/8x1/4" GRIP, SS (CCP-4)	3
36	4500-0540	SCREW: MACH, 1/4- 20x3/8", PAN, PH, ZN, BLK	13
37	4500-0702	SCREW: CAP, 1/4- 20x7/8", HEX, GRADE 5, BL OX	6
38	4500-0900	SCREW: CAP, 1/4-20x1", HEX, GRADE 5	2
39	4500-1040*	SCREW: BHCS, 1/4-20x1", BL OX	1
40	4500-1359	SCREW: MACH, 1/4- 20x3/4", PAN, PH, BLK	2
41	4500-1377*	SCREW: MACH, 1/4-20x2", PAN, PH, BL OX	2
42	4500-1510	SCREW: MACH, 1/4-20x2-1/4", FLAT, PH, ZN	4
43	4500-2976*	SCREW: SET, 5/16-18x3/8", HALF DOG, SOCKET	2
44	4600-0300	WASHER: FLAT, 1/4, USS, BLK OX (3/4" OD)	10
45	4600-0400*	WASHER: LOCK, 1/4", SPLIT, ZN	7
46	4600-0800*	WASHER: FLAT, 5/16, USS (7/8" OD), BLK ZN	1
47	4600-0880	WASHER: WROUGHT, 9/16"x1- 1/2" (90108A034	2
48	4700-0790*	SPACER: DOOR LATCH, 0.435"x0.375"x0.03"	4
49	5000-565	HANDLE CRANK: BLK CHROME, EQU GM40, 60, 80	2
50	5012-066	BUSHING	1
51	5031-125	BYPASS ESCUTCHEON	1
52	5031-130	PROBE ESCUTCHEON	1
53	5100-010	LABEL CLIP	2
54	5240-138*	SPRING: LATCH, WOOD STOVES, 325#	1
55	5570-030	CABLE: LABEL	1
56	5640-002	BOTTOM SHIELD	1
57	5640-004	AIR CONTROL	1
58	5640-006	PIPE: LPAO	1
59	5640-008	PIN: HINGE	2
60	5640-010	SECONDARY RISER ASSY	1
61	5640-012	TIE ROD	4
62	5640-014*	GUARD, BAFFLE	1
63	5640-020*	STRIKER	1

Bill of Materials

64	5640-022*	DOOR LATCH	1
65	5640-024	FLAT REAR SHIELD	1
66	7200-520	CAT TEMP PROBE 10"	1

* = Available in kits only.

REPLACEMENT KITS AND ACCESSORIES

96-58400	GASKET KIT
96-58405	GLASS KIT
96-71400	HANDLE KIT
96-73400	FRONT DOOR LATCH KIT
96-75400	CATALYST REPLACEMENT KIT
96-76400	BAFFLE KIT
96-57400	BLOWER KIT
96-53400	OUTSIDE AIR KIT

Note: See manual for accessory kits.