



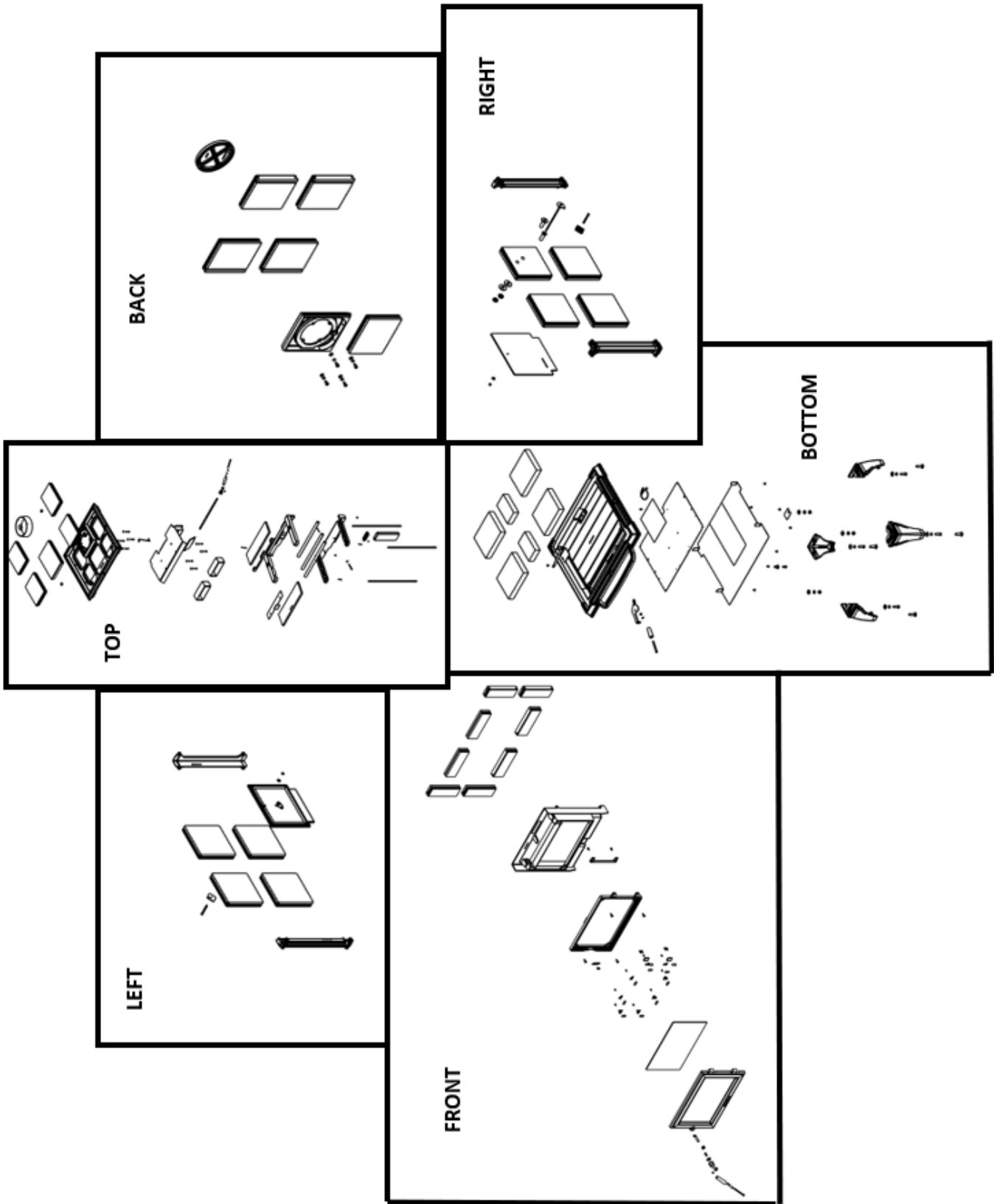
CASTLETON I



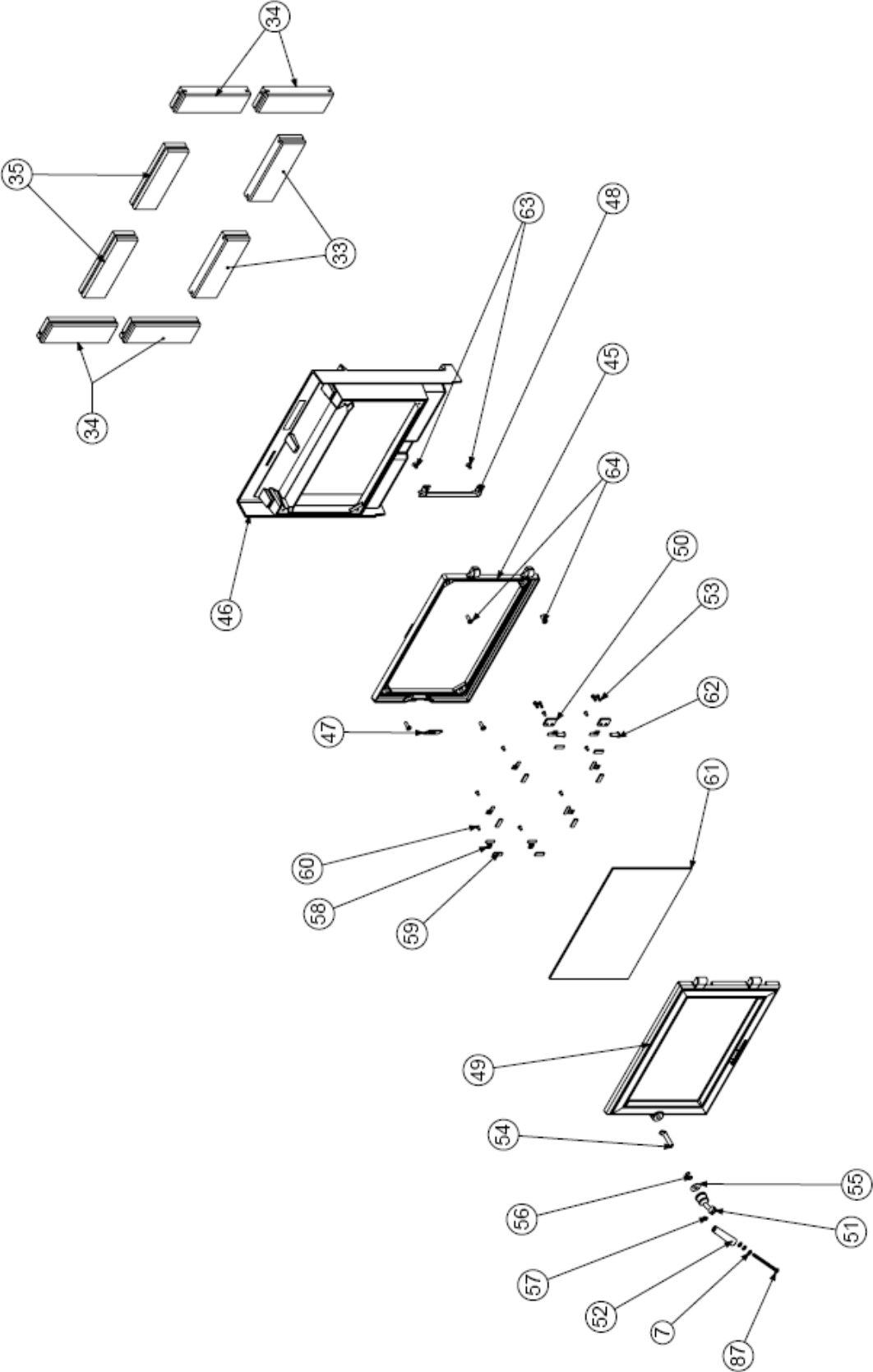
Model 8031

Illustrated Parts List

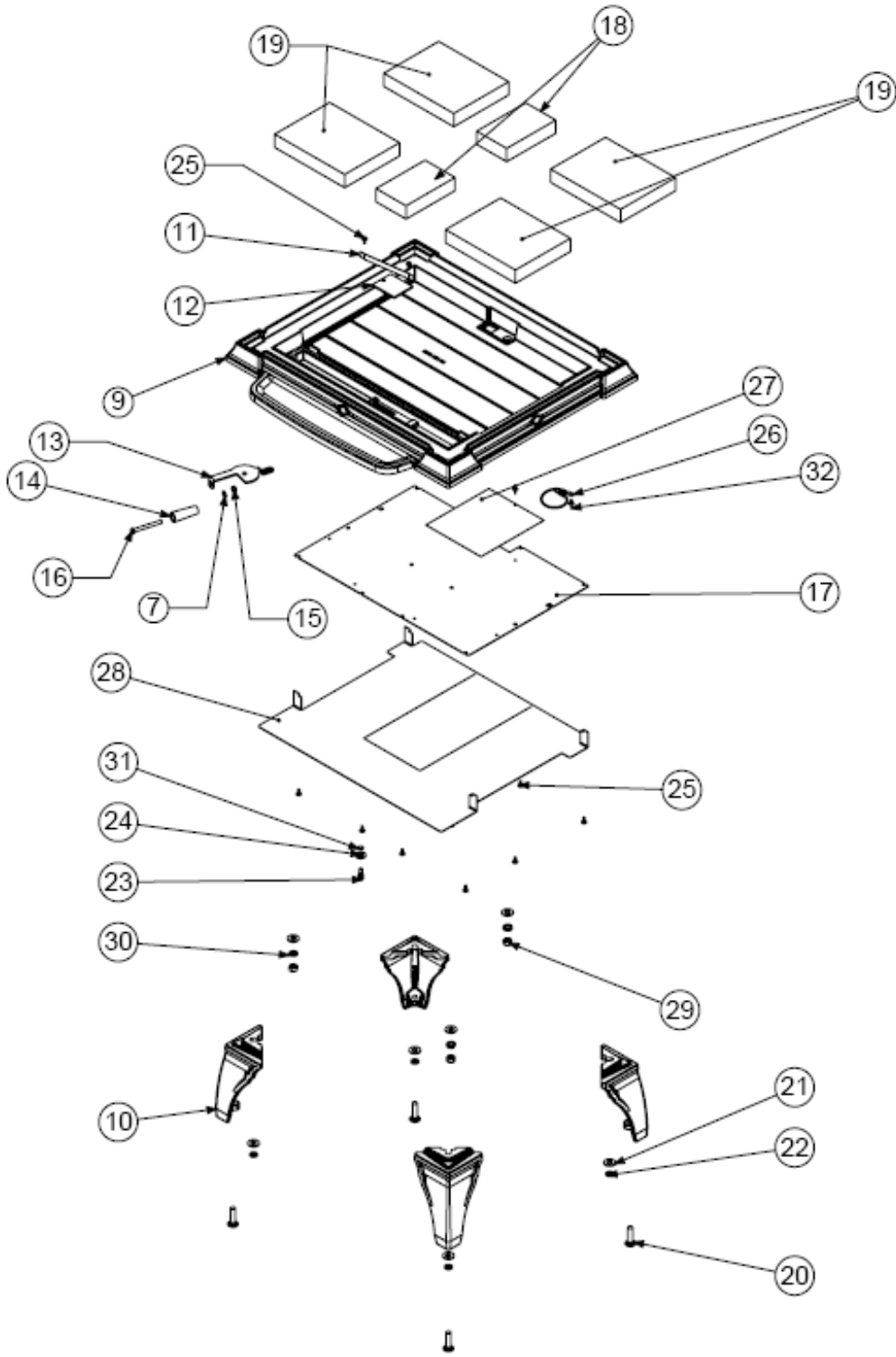
Full Assembly



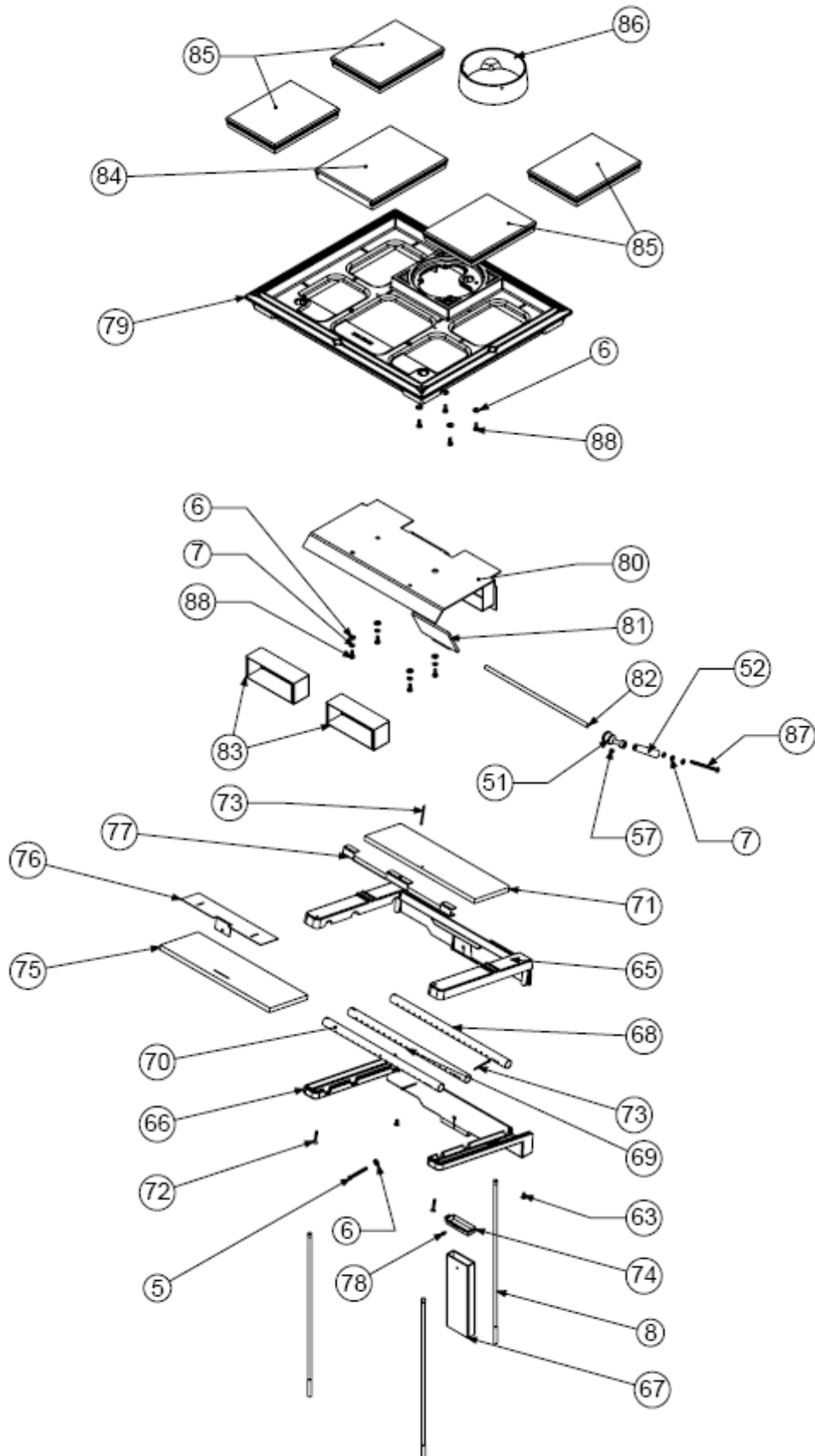
FRONT



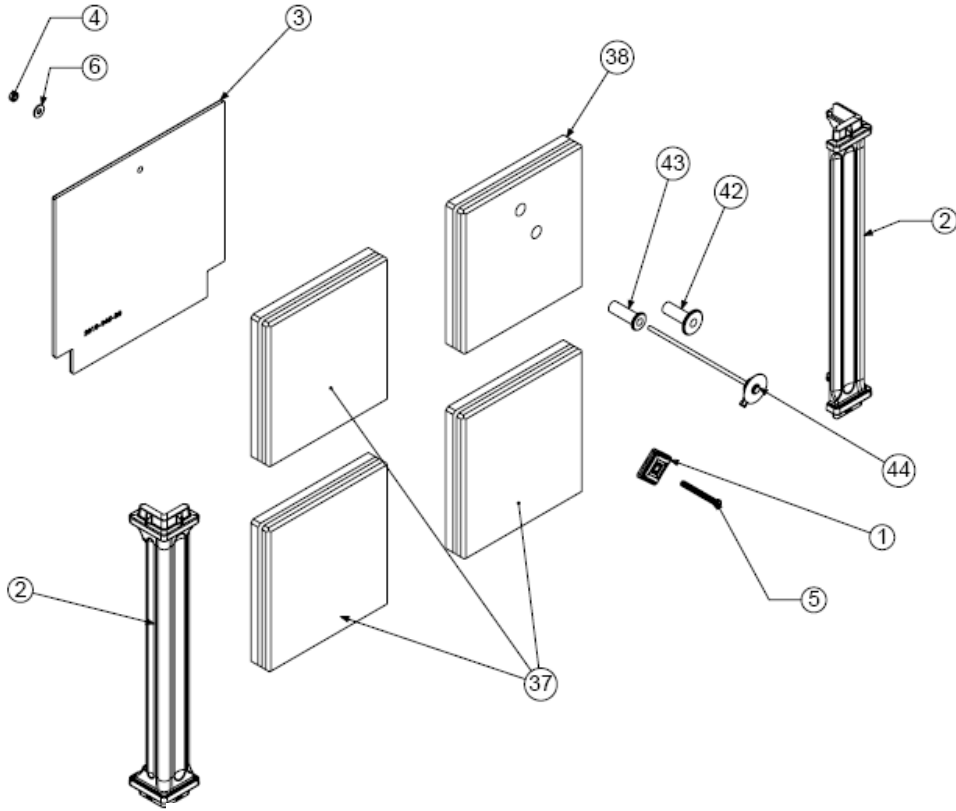
BOTTOM



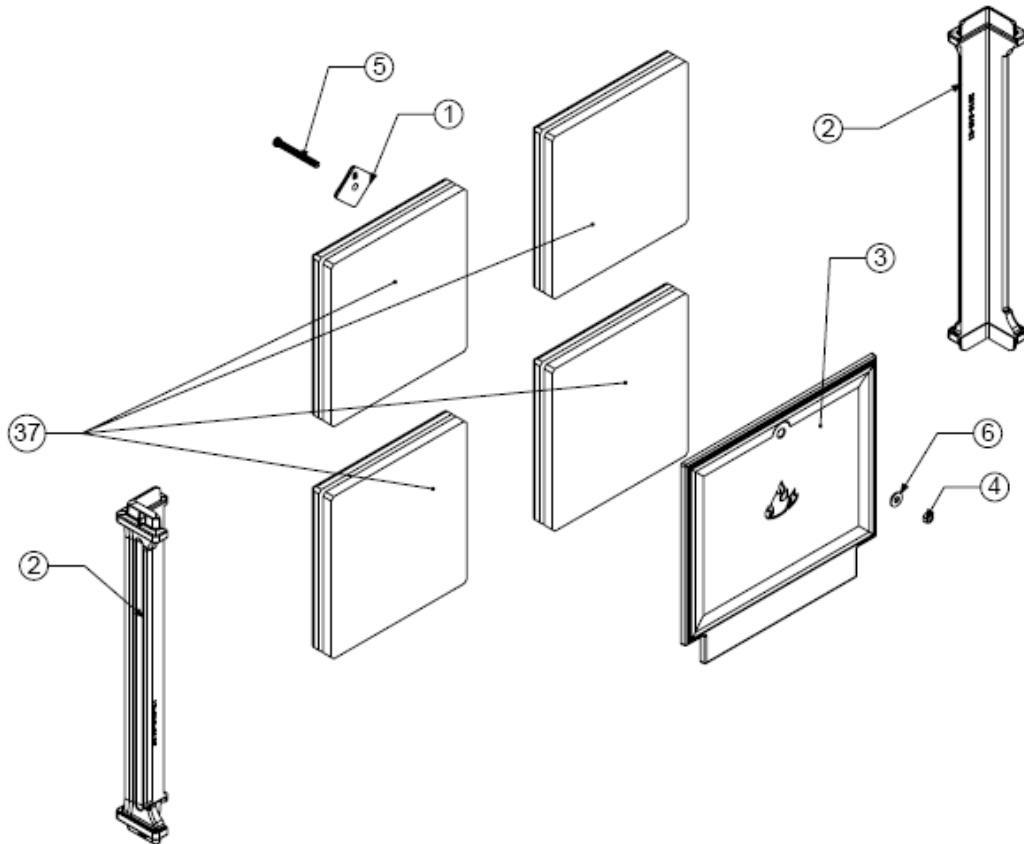
TOP



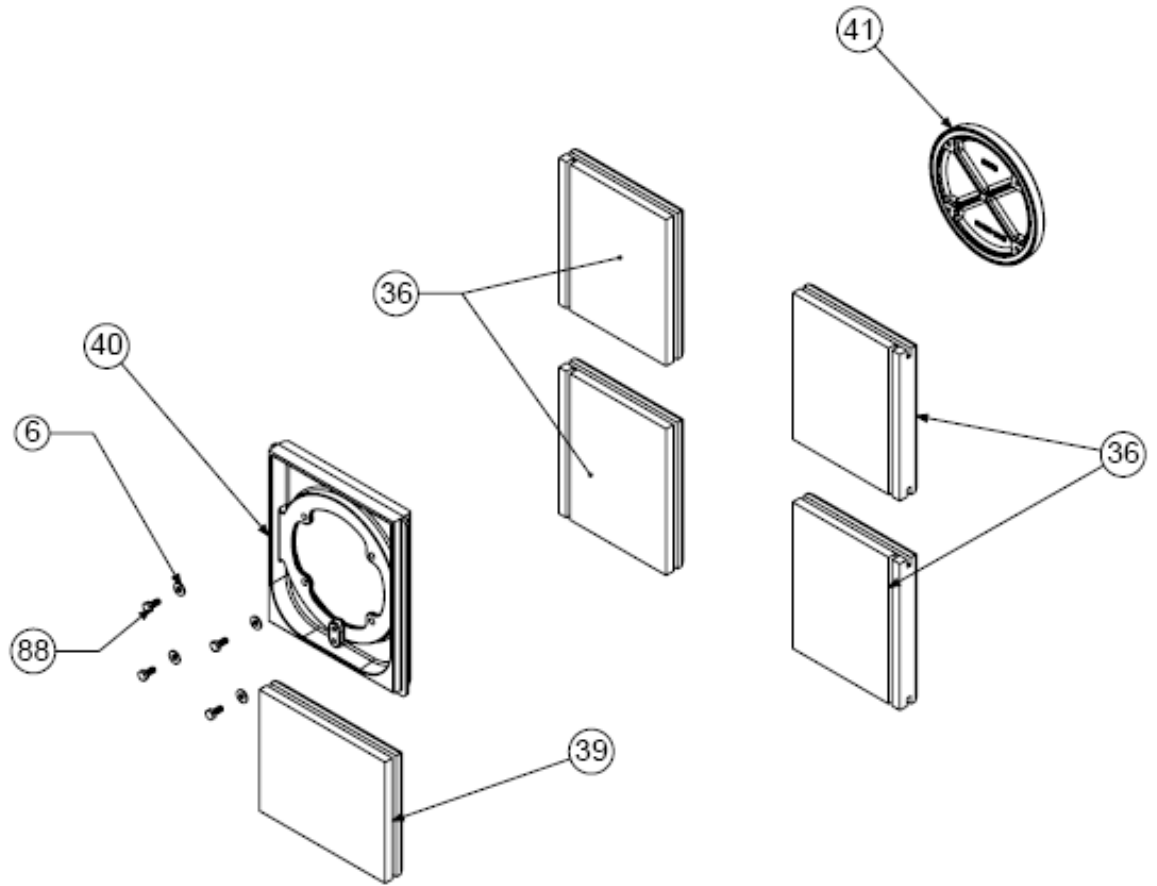
RIGHT SIDE



LEFT SIDE



BACK



| ITEM NO. | PART NUMBER | DESCRIPTION | QTY. |
|----------|-------------|---|------|
| 1 | 2010-335 | SIDE STONE TRIM | 2 |
| 2 | 2010-340 | COLUMN | 4 |
| 3 | 2010-345 | SIDE PLATE | 2 |
| 4 | 4200-0250 | NUT: FINISHING,1/4-20,HEX,SS | 2 |
| 5 | 4500-1420 | SCREW: CAP,1/4-20x2-1/4",LOW PRO,SOCK | 3 |
| 6 | 4600-0310 | WASHER: FLAT,1/4,SAE,ZN (5/8" OD) | 15 |
| 7 | 4600-0400* | WASHER: LOCK, 1/4",SPLIT,ZN | 11 |
| 8 | 5210-2340 | TIE ROD | 3 |
| 9 | 2010-320 | BOTTOM | 1 |
| 10 | 2010-310 | FOOT | 4 |
| 11 | 5021-020 | PRIMARY AIR SLIDER RETAINER | 1 |
| 12 | 5021-025 | AIR CONTROL SLIDER | 1 |
| 13 | 5031-032 | AIR CONTROL HANDLE | 1 |
| 14 | 3900-182 | ASH DOOR HANDLE | 1 |
| 15 | 4200-0200 | NUT: FINISHING,1/4-20,HEX,ZN | 1 |
| 16 | 4500-1574 | SCREW: MACH,1/4-20x2-1/2",ROUND,PH,ZN | 1 |
| 17 | 5030-010 | BOTTOM HEATSHIELD | 1 |
| 18 | 1-0000-315 | REFRACTORY STONE | 2 |
| 19 | 1-0000-102 | REFRACTORY STONE | 4 |
| 20 | 4100-0127 | BOLT: CARRIAGE,3/8-16x1-1/2 | 4 |
| 21 | 4600-0800 | WASHER: FLAT,5/16,USS (7/8" OD),BLK ZN | 7 |
| 22 | 4600-0850 | WASHER: LOCK,5/16,SPLIT,MED,ZN | 4 |
| 23 | 4100-0280 | SCREW: SHOULDER 5/16D X 1/4L, SOCKET | 1 |
| 24 | 5570-060 | WASHER, SLIDE ARM | 1 |

| | | | |
|----|-----------|---|----|
| 25 | 4500-2114 | SCREW: MACH,10-24x3/8",PAN,PH,BLK OX | 14 |
| 26 | 5570-030 | LABEL CABLE | 1 |
| 27 | 3300-721 | BLOWER LABEL | 1 |
| 28 | 5031-010 | SUPPL BOTTOM HEATSHIELD | 1 |
| 29 | 4200-0400 | NUT: 3/8-16,ZN,GR2,90473A031 | 3 |
| 30 | 4600-0700 | WASHER: LOCK,3/8,SPLIT,BL OX | 3 |
| 31 | 4600-1400 | WAVE WASHER | 1 |
| 32 | 4400-0100 | RIVET: BLIND,1/8x1/4" GRIP,SS (CCP-4 | 2 |
| 33 | 1141-330 | STONE, POLISHED | 2 |
| 34 | 1141-340 | STONE, POLISHED | 4 |
| 35 | 1141-350 | STONE, POLISHED | 2 |
| 36 | 1141-310 | STONE, POLISHED | 4 |
| 37 | 1141-320 | STONE, POLISHED | 7 |
| 38 | 1141-321 | STONE,SIDE,R,T,B POLISHED | 1 |
| 39 | 1141-325 | STONE, POLISHED | 1 |
| 40 | 2010-281 | REAR EXIT PLATE | 1 |
| 41 | 2010-282 | FLUE BLANK PLATE | 1 |
| 42 | 5031-125 | BYPASS ESCUTCHEON | 1 |
| 43 | 5031-130 | PROBE ESCUTCHEON | 1 |
| 44 | 7200-525 | CAT TEMP PROBE 7" | 1 |
| 45 | 2010-360 | DOOR FRAME | 1 |
| 46 | 2010-330 | PRIMARY MANIFOLD | 1 |
| 47 | 5030-060 | STRIKER | 1 |
| 48 | 5030-050 | HINGE PIN SUPPORT | 1 |
| 49 | 2010-350 | DOOR | 1 |
| 50 | 5030-055 | HINGE PLATE | 2 |
| 51 | 5010-081* | LATCH CRANK | 2 |

| | | | |
|----|------------|--|---|
| 52 | 3900-177* | WOOD HANDLE | 2 |
| 53 | 4500-2132* | SCREW: SHCS,10-24x1/2",BL OX | 4 |
| 54 | 5021-022* | LATCH | 1 |
| 55 | 5021-032* | WASHER: FLAT,.406"IDx1"ODx.035"T,BLK | 1 |
| 56 | 4700-0790* | SPACER: DOOR LATCH,0.435"x0.375"x0.03" | 2 |
| 57 | 4500-2976* | SCREW: SET,5/16-18x3/8",HALF DOG,SOCKET | 3 |
| 58 | 5021-060* | GLASS CLIP | 8 |
| 59 | 3120-021* | GASKET: GLASS CLIP,BLACK, HER 1/TRI/BRI | 8 |
| 60 | 4500-2105* | SCREW: MACH,10-24x3/8",UN- CUT,FLAT,PH, | 8 |
| 61 | 3030-055* | GLASS, 15.35X9.49 | 1 |
| 62 | 5030-045 | HINGE BUSHING | 2 |
| 63 | 4500-0560 | 1/4-20x1/2 (MC 90273A537) | 4 |
| 64 | 4500-1359 | SCREW: MACH,1/4- 20x3/4",PAN,PH,BLK | 4 |
| 65 | 2010-380 | SECONDARY MANIFOLD TOP | 1 |
| 66 | 2010-370 | MANIFOLD, SECONDARY, BOTTOM | 1 |
| 67 | 5030-040 | SECONDARY AIR RISER | 1 |
| 68 | 5030-071 | SECONDARY AIR TUBE #1 | 1 |
| 69 | 5031-072 | SECONDARY AIR TUBE #2 | 1 |
| 70 | 5031-073 | SECONDARY TUBE #3 | 1 |
| 71 | 3120-032 | CERAMIC BAFFLE REAR | 1 |
| 72 | 4500-1300 | SCREW: MACH,1/4-20x1- 1/4",FLAT,PH,BLK OX | 2 |
| 73 | 4300-0120 | PIN: COTTER, 1/8X2",SS | 3 |
| 74 | 5023-048 | GASKET KEEPER | 1 |
| 75 | 3120-031 | CERAMIC BAFFLE FRONT | 1 |

| | | | |
|----|-----------|--|----|
| 76 | 5022-014 | BAFFLE BRACKET | 1 |
| 77 | 5031-105 | REAR BAFF SUPPORT | 1 |
| 78 | 4500-3435 | SCREW: T-CUT,8-32x3/8", "F", PAN, PH, BL | 1 |
| 79 | 2010-391 | TOP | 1 |
| 80 | 5031-110 | CATALYST DAM | 1 |
| 81 | 5031-115 | BYPASS DOOR | 1 |
| 82 | 5031-120 | BYPASS SHAFT | 1 |
| 83 | 3050-010 | CATALYST, 6" | 2 |
| 84 | 1141-360 | STONE, POLISHED | 1 |
| 85 | 1141-370 | STONE, POLISHED | 4 |
| 86 | 2010-285 | FLUE COLLAR | 1 |
| 87 | 4500-1680 | Screw: Mach 1/4-20, 3-1/2, Round, Slot, Zn | 2 |
| 88 | 4500-0701 | SCREW: CAP, 1/4-20x5/8", HEX, SS | 12 |
| 89 | 3120-033 | DAM SIDE BLANKET | 1 |

* = Available in kits only.

REPLACEMENT KITS AND ACCESSORIES

| | |
|----------|--------------------------|
| 90-57210 | BLOWER KIT |
| 90-53300 | OUTSIDE AIR KIT |
| 90-68300 | REAR HEAT SHIELD KIT |
| 90-69300 | SPARK SCREEN KIT |
| 90-58300 | GASKET KIT |
| 90-58305 | GLASS KIT |
| 90-71100 | DOOR HANDLE KIT |
| 90-73212 | DOOR LATCH KIT |
| 90-76310 | BAFFLE KIT |
| 90-75310 | CATALYST REPLACEMENT KIT |