

Technical Data Sheet

Stowe 8325 NG to LP Conversion Kit

Assembly 93-56251

KIT CONTENTS:

- 1 - Main burner orifice, #54 (U.S.) (7200-254)
- 1 - LP pilot orifice, 0.30 mm (7211-131)
- 1 - LP Regulator (7211-313)
- 1 - Conversion label (3300-665)
- 1 - Conversion label (3300-583)
- 1 - Warning label (3300-585)
- 1 - Installation manual (6400-40328)

TOOLS REQUIRED:

- Flat-head screwdriver, 5/32"
- Wrench, 1/4"
- Hex wrench, 4 mm / 5/32"
- Socket wrench w/ 6" extension
- 1/2" Socket, 1" deep
- Manometer
- T-20 Screwdriver

WARNING

This conversion kit must be installed by a qualified service agency in accordance with the manufacturer's instructions and all applicable codes and requirements of the Authority Having Jurisdiction. If the information in these instructions is not followed exactly, a fire, explosion or production of carbon monoxide may result causing property damage, personal injury or loss of life. The qualified service agency is responsible for the proper installation of this kit. The installation is not proper and complete until the operation of the converted appliance is checked as specified in the manufacturer's instructions supplied with the kit.

This Liquid Propane (LP) fuel conversion kit is for use with the Hearthstone Stowe 8325 only. This kit is suitable for installations at elevations up to 4500 feet above sea level. When using LP, it is not necessary to de-rate the Stowe 8325 at elevations above 2000 feet.

Specification	NG	LP
INPUT RATING (Btu/hr) 0-2000 ft	22,400	22,400
INPUT RATING (Btu/hr) 2000-4500 ft	21,000	22,400
ORIFICE SIZE (DMS) 0-2000 ft	43	54
ORIFICE SIZE (DMS) 2000-4500 ft	42	54
MANIFOLD PRESSURE - LO SETTING (in.w.c./kPa)	1.2/0.30	4.2/1.05
MANIFOLD PRESSURE - HI SETTING (in.w.c./kPa)	3.6/0.90	10.1/2.52
INLET PRESSURE - MINIMUM (in.w.c./kPa)	5.0/1.24	11.0/2.74
MINIMUM INPUT RATING LO SETTING (Btu/hr)	15,000	15,000

Instructions

CAUTION: THE GAS SUPPLY SHALL BE SHUT OFF PRIOR TO DISCONNECTING THE ELECTRICAL POWER, BEFORE PROCEEDING WITH THE CONVERSION.

VALVE DESCRIPTION

- | | | |
|--|------------------------------|-----------------------------------|
| ① Gas cock knob | ⑥ Inlet pressure test point | ⑪ Flange securing screw holes |
| ② Manual HI-LO adjustment or pressure regulator adjustment | ⑦ Outlet pressure test point | ⑫ Additional valve mounting hole |
| ③ Pilot adjustment | ⑧ Main operator | ⑬ Alternative TC connection point |
| ④ Thermocouple connection | ⑨ Pilot outlet | ⑭ Thermoelectric unit |
| ⑤ Mounting for piezo & bracket | ⑩ Main gas outlet | |

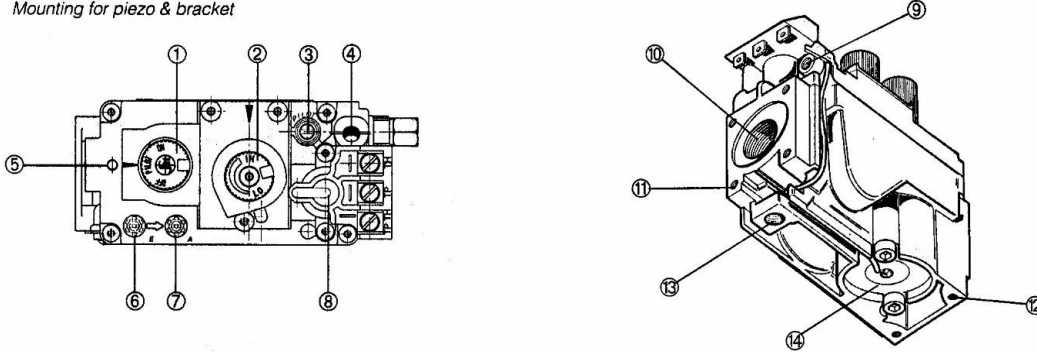


Figure 1 – SIT 820 Valve

LP conversion orifices are identified by size stamped on side of part. Ensure that orifice sizes are correct before installation.

*Note: **Do NOT** adjust any components marked with tamper-indicating paint.*

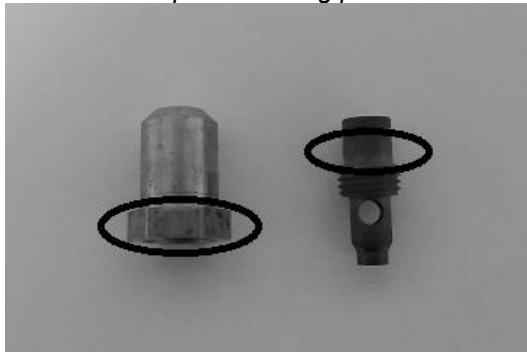


Figure 2 – Orifices, Marking Locations

To Convert the Valve to LP Operation:

- Using 1/4" wrench, remove stopper bracket screws and stopper bracket. If stopper bracket is difficult to remove, loosen or remove valve screws and move valve out of the way of the bracket. Place screws and bracket off to the side.

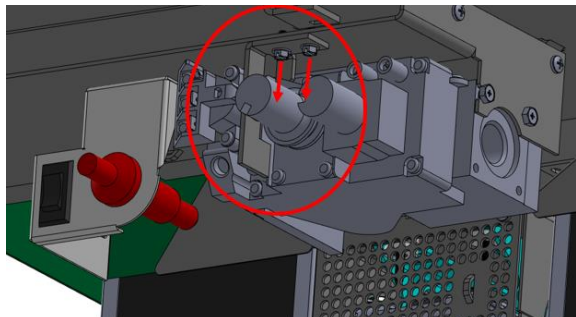


Figure 3 – Stopper Bracket Removal

- Using a Torx T20, or slotted screwdriver, remove and discard the three-pressure regulator mounting screws (A), pressure regulator tower (B) and diaphragm (C).
- Ensure that the rubber gasket (D) is properly positioned and install the new HI/LO pressure regulator assembly with the new screws (E) supplied with the valve using the new screws (E) supplied with the kit. Tighten screws securely.

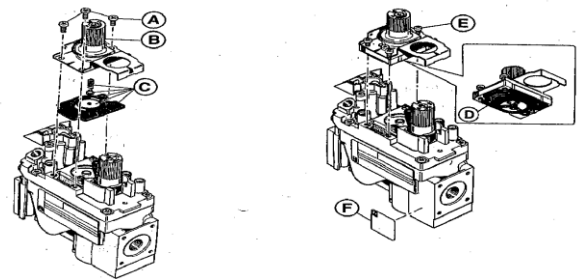


Figure 4 – Valve Conversion Kit

- Reinstall stopper bracket with same screws that were previously installed with it. The stopper bracket should be reinstalled to the 2 screw holes closer to the edge of the valve bracket. The stopper bracket will not fit in the original installation holes with the converted regulator knob. Make sure valve is securely reinstalled

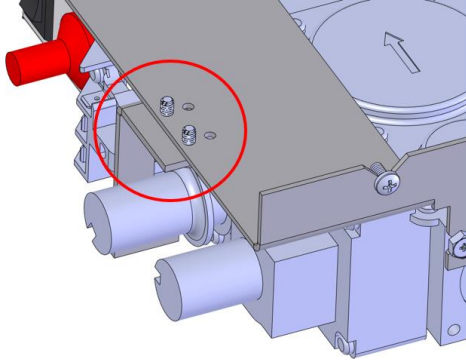


Figure 5 – Stopper Bracket Reinstall Hole Location

5. Install the enclosed identification label (F) to the valve body where it can be easily seen (Figure 4). Place the red LP sticker over the white NG sticker on the valve door.
6. Turn on the gas supply. For checking and properly adjusting the manifold pressure, refer to the appliance owner's manual for instructions.

LEAK TEST ALL FITTINGS BEFORE AND AFTER LIGHTING THE STOVE WITH A GAS SNIFFER

7. The input rate of the heater can be verified by checking the manifold pressure. If the manifold pressure is correct, then the input rate is correct. Record this change by filling out the fuel conversion label on the back of the stove.

To Switch Pilot to LP Operation:

To convert pilot from NG to LP:

1. Open firebox and remove logs, burner, and pilot shield. Refer to Stove 8325 main product manual for guidance.
2. By hand or with tool, disengage wire clip and remove pilot burner hood.



Figure 6 – Removing Pilot Burner Hood

3. Using 4 mm hex wrench, loosen and remove NG pilot orifice. Replace with 0.30 mm LP pilot orifice and tighten until snug. Do not overtighten.



Figure 7 – Loosening Pilot Orifice



Figure 8 – Replacing Pilot Orifice

4. Reinstall pilot burner hood, ensuring that cutout on hood aligns with tang on stem of pilot. Engage wire clip, ensuring that clip holds burner hood in place.

To replace main burner orifice:

Locate the orifice mounting location at the rear of the firebox (see Figure 9). Using a 1/2" socket and extension, grasp orifice spud and turn counter-clockwise until loose. Remove and replace with #54 LP orifice spud, turning clockwise until snug.

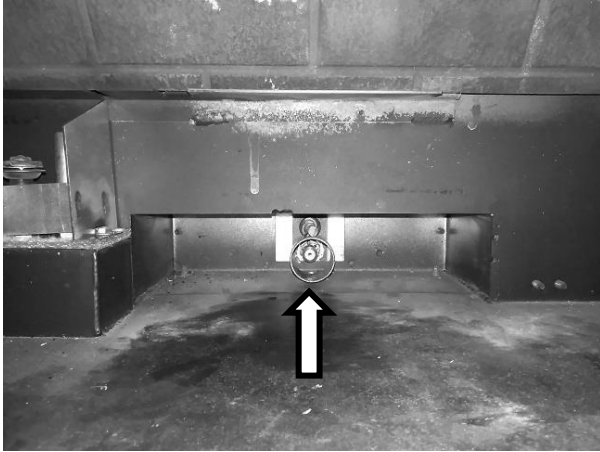


Figure 9 – Main Orifice Location

Reinstall burner, pilot shield, and logs. Ensure that pilot, pilot shield and burner are properly positioned before lighting appliance (see Figure 10). Reinstall front glass, and front and top cast.



Figure 10 – Pilot, Shield, and Burner Position

Checking for leaks:

To perform initial gas leak test:

1. Check carefully for gas leaks immediately after the conversion has been performed. **Do this before attempting to operate the appliance or other gas burning device.**
2. Use an approved non-corrosive leak detection fluid, or other approved leak detection method, around the diaphragm flanges, pipe connections, seal cap, and all other joints. Bubbles indicate a leak.
3. If no leakage is detected, proceed with the instructions listed below to light the main burner and perform a secondary leak check of the appliance gas supply system.

4. If a leak is detected, tighten pipe connections (including adapters) and retest.

To perform secondary leak test:

1. Light stove. With the main burner in operation, apply an approved leak test solution to all tubing, pipe connections, and adapters, and the valve inlet and outlet. Bubbles indicate a leak.
2. If no leak is detected, appliance is safe to use.
3. If a leak is detected, tighten pipe connections (including adapters) and retest.

WARNING

Absolutely no leakage should occur, otherwise there is a danger of fire or explosion depending upon conditions. Never use if leakage is detected.

Lighting instructions:

1. Set the on/off/T-stat switch or thermostat to the off position.
2. Unplug the blower accessory, if so equipped.
3. Push in and turn gas control knob clockwise to "OFF". *(If not previously lit, the knob should be in this position.)*
4. Wait (5) five minutes to clear out any gas. If you then smell gas, STOP! *Smell all around the appliance area for gas. Be sure to smell next to the floor because some gases (LPG) are heavier than air and will settle on the floor. If you smell gas immediately, follow the **What To Do If You Smell Gas!** warning on the cover of the main Owner's Manual.* If you do not smell gas, go to the next step.
5. Turn gas control knob counterclockwise to "PILOT".
6. Push in control knob all the way and hold in. Immediately light the pilot with the gas lighter (push in and "click" the piezoelectric spark igniter button several times until lit). Continue to hold the control knob in for about 20 seconds after the pilot is lit. Release the knob and it will pop back out. Pilot should remain lit. If the pilot goes out, repeat the operation.
7. Turn gas control knob counterclockwise to "ON" position. Gas flow to main burner will begin when flame-sensing element is hot, and should ignite promptly.
8. To turn stove off, turn gas control knob clockwise to "OFF" position.

To verify input rate:

The approximate input rate of the converted Champlain may be checked as follows:

1. Ensure that no other gas appliances are in operation.
2. Place Stowe in operation on high, and allow to burn for 15 minutes.
3. Using residential gas meter, measure the time in seconds required for the Stowe to consume 1 cubic foot of gas.
4. The gas consumption of the Stowe in BTU per hour may be calculated as $(3,600 \times \text{heating value of gas}) \div \text{seconds to consume 1 cubic foot}$. Use local gas supplier's heating value, or use 2,500 for LP or 1,012 for NG.

EXAMPLE: Using LP with a heating value of 2,500, and a time of 392 seconds (6 minutes 32 seconds):

$$(3,600 \times 2,500) \div 392 = 9,000,000 \div 392 = 22,959 \text{ BTU per hour}$$

Note: *Stowe may operate safely up to 105% of its rated input, or 25,520 BTU per hour. If Stowe input is incorrect, it is necessary to adjust the gas supply pressure. Supply line/manifold gas line pressure adjustments must be performed by qualified service personnel. Do not attempt to complete any part of the installation or adjustment of this unit unless technically qualified to do so.*

Checking gas pressures:

When installation is complete, verify that inlet and manifold pressures are correct. Pressure taps are located on the front of the valve (see Figure 1).

To check inlet pressure, with stove in operation, loosen threaded plug of inlet pressure tap and connect manometer. Retighten plug when finished.

To check manifold pressure, with stove in operation, loosen threaded plug of manifold pressure tap and connect manometer. Retighten plug when finished.

Manifold pressure adjustments:

CAUTION: THE VALVE MAXIMUM AND MINIMUM OUTLET PRESSURES ARE PRE-SET AT THE FACTORY AND CANNOT BE ADJUSTED. INPUT RATE IS ADJUSTABLE BY CHANGE OF ORIFICE SIZE ONLY, AND SHOULD ONLY BE ADJUSTED BY AN AUTHORIZED SERVICE TECHNICIAN.

Pilot adjustment:

The pilot light is preset by Hearthstone and should

not need adjustment. The pilot light flame must be large enough to engulf the thermopile and thermocouple located next to the pilot, but not so large as to create excessive noise or consume excessive gas. However, it can be adjusted by means of the pilot light adjustment screw located on the gas control valve (see Figure 1).

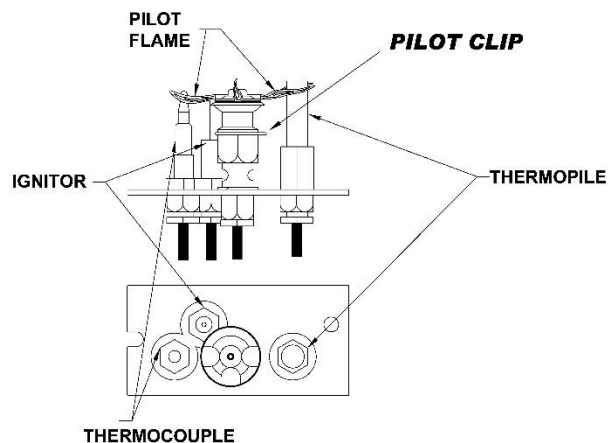


Figure 11: Pilot Assembly Detail

Flame appearance:

Once the unit is lit, observe the flame pattern and adjust as necessary. To determine whether adjustment is necessary, flame pattern should be viewed with the valve output at its highest setting. Allow unit to operate for 10 minutes to allow flame pattern to stabilize before adjusting. Flame pattern should resemble that shown in Figure 12.



Figure 12 – Typical Flame Appearance

1. Flames should not be dirty, smoky, sooty, or lick the top of the stove.
2. Flames should not rise off the pan burner; this is called "lifting".

3. Flames should not impinge heavily on the log set. They should “fit” through the pre-formed spaces designed in the log set.

Flame appearance may be altered by adjusting air shutter.

1. If flame just above surface of burner or at base of logs is completely blue, air shutter may be open too far.
2. If flame is dirty, sooty, or licks at the top of the firebox, air shutter may be closed too far.

Air shutter is adjustable while the stove is burning. Loosen the screw on the adjusting rod located in the lower rear center of the stove. Push the rod in to open the air shutter, and pull it out to close the shutter. When the flame pattern is correct, hold the adjusting rod in place and tighten the screw to fix its position.



Figure 13 – Air Shutter Adjustment

Conversion label placement:

When fuel conversion is complete, fill out and apply included marking labels to the appliance as shown.

Fill out all fields on large rating plate conversion label 3300-665 (number in lower right corner) and place over field provided on stove lighting instruction tag (see Figure 14).



Figure 14 – Rating Plate Conversion Label Location

Fill out all fields on smaller conversion label 3300-583 and place on surface of valve bracket (see Figure 15).

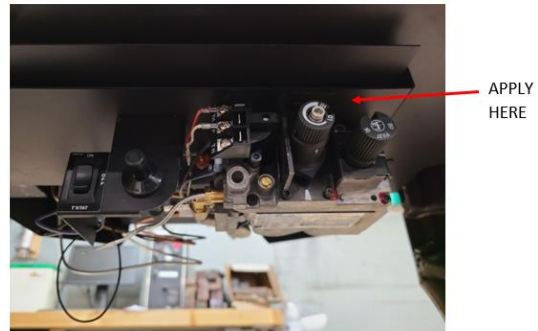


Figure 15 – Valve Conversion Label Location

Place small valve warning label 3300-587 on valve bracket or on valve body (do not cover manufacturer information sticker on valve body) (see Figure 16).

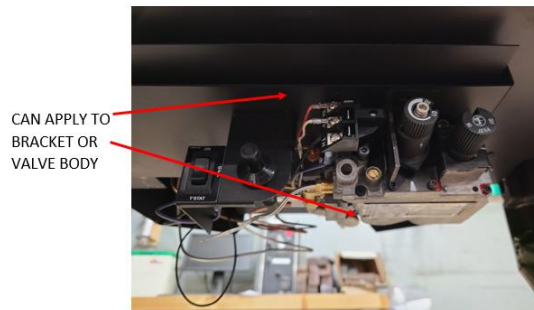


Figure 16 – Valve Warning Label Location