



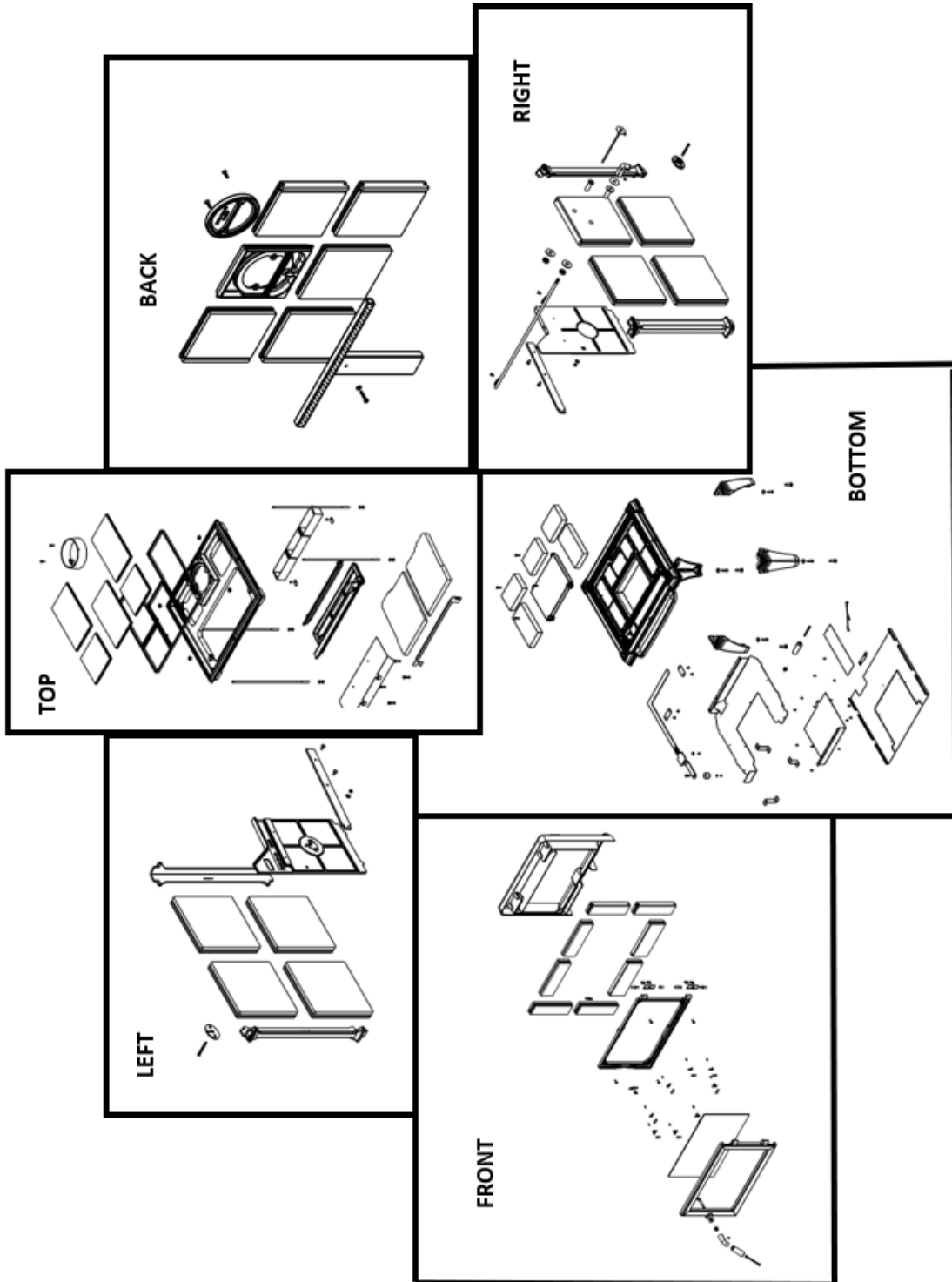
MANSFIELD

Model 8013

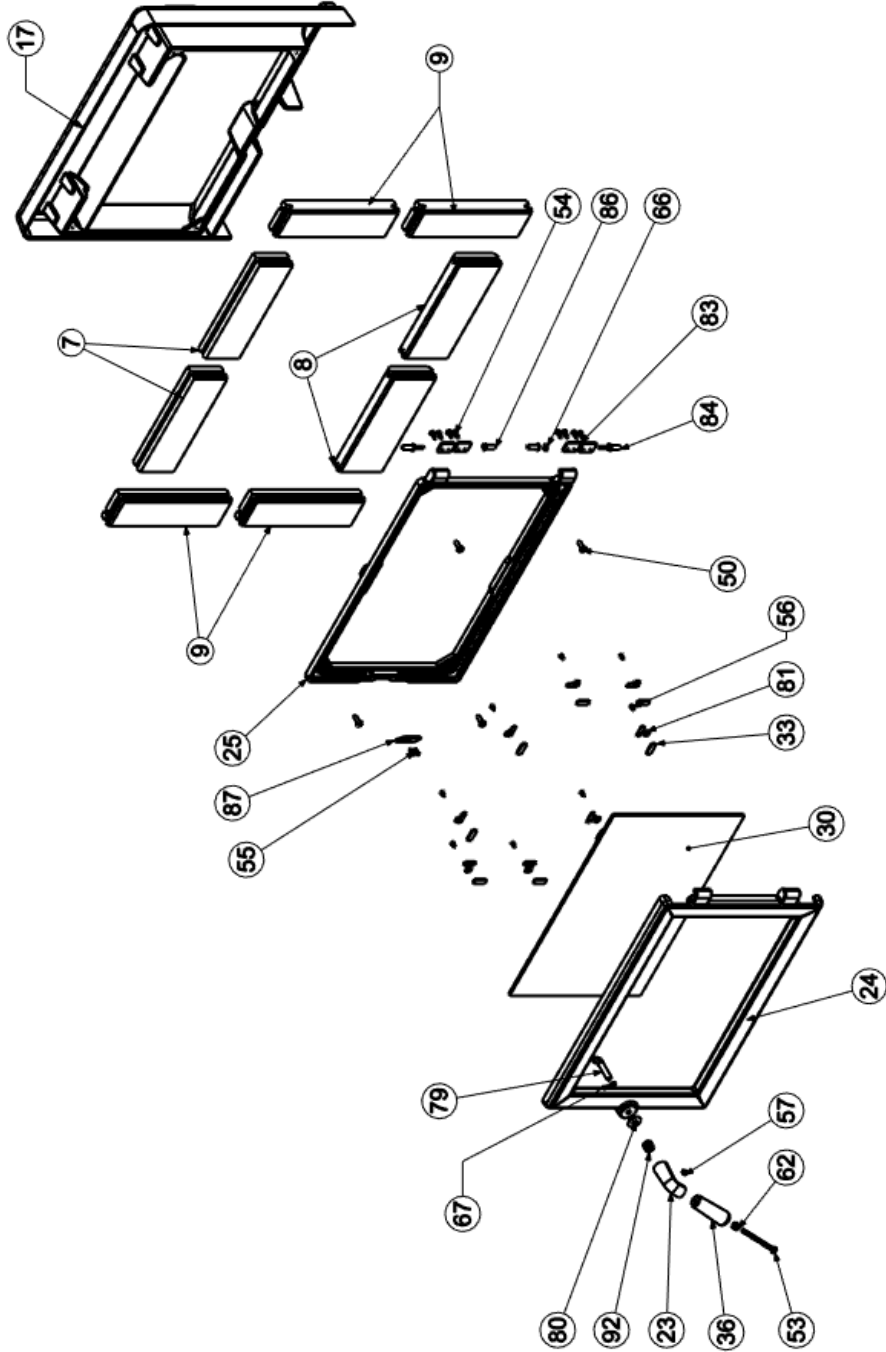


Illustrated Parts List

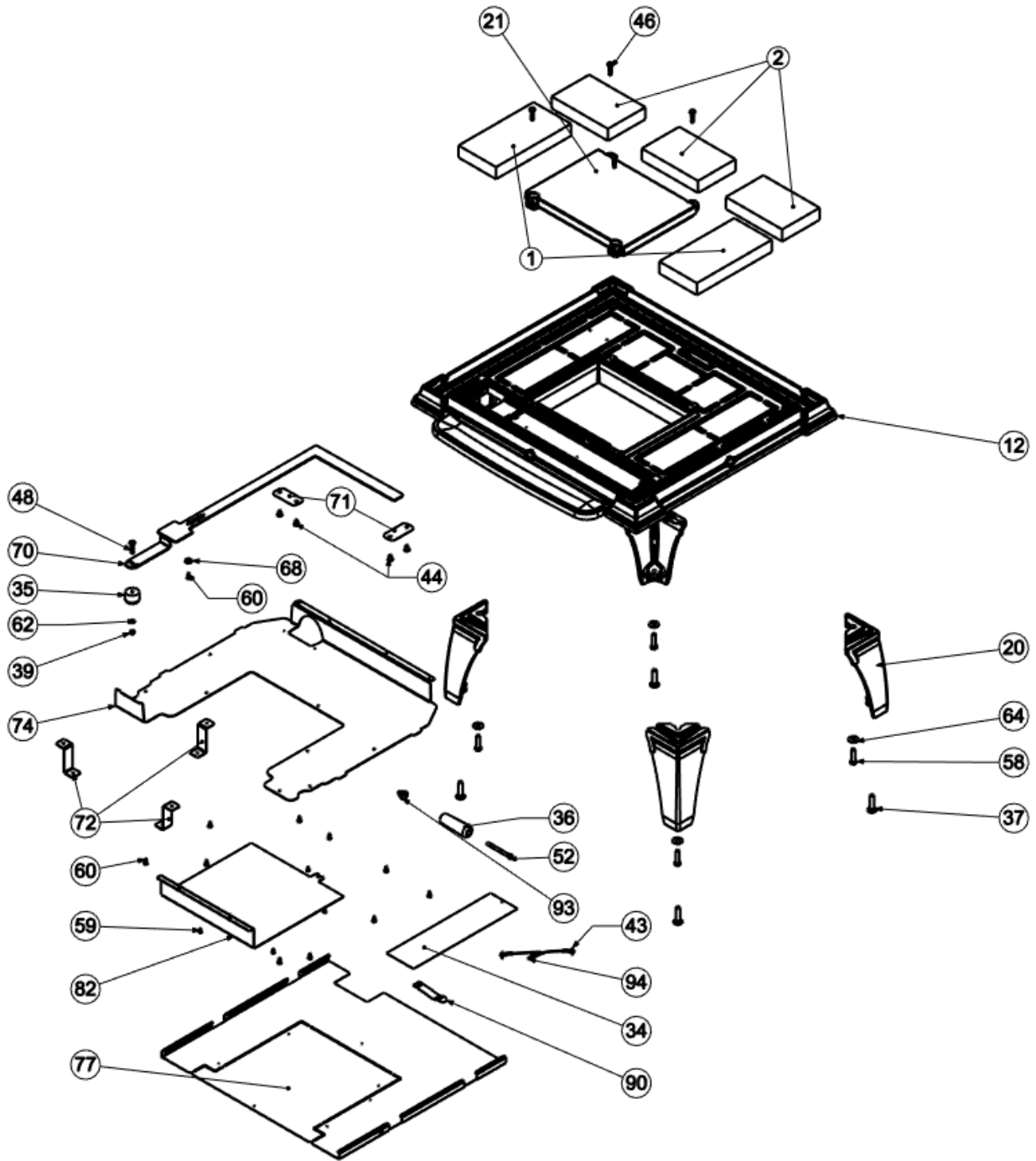
Full Assembly



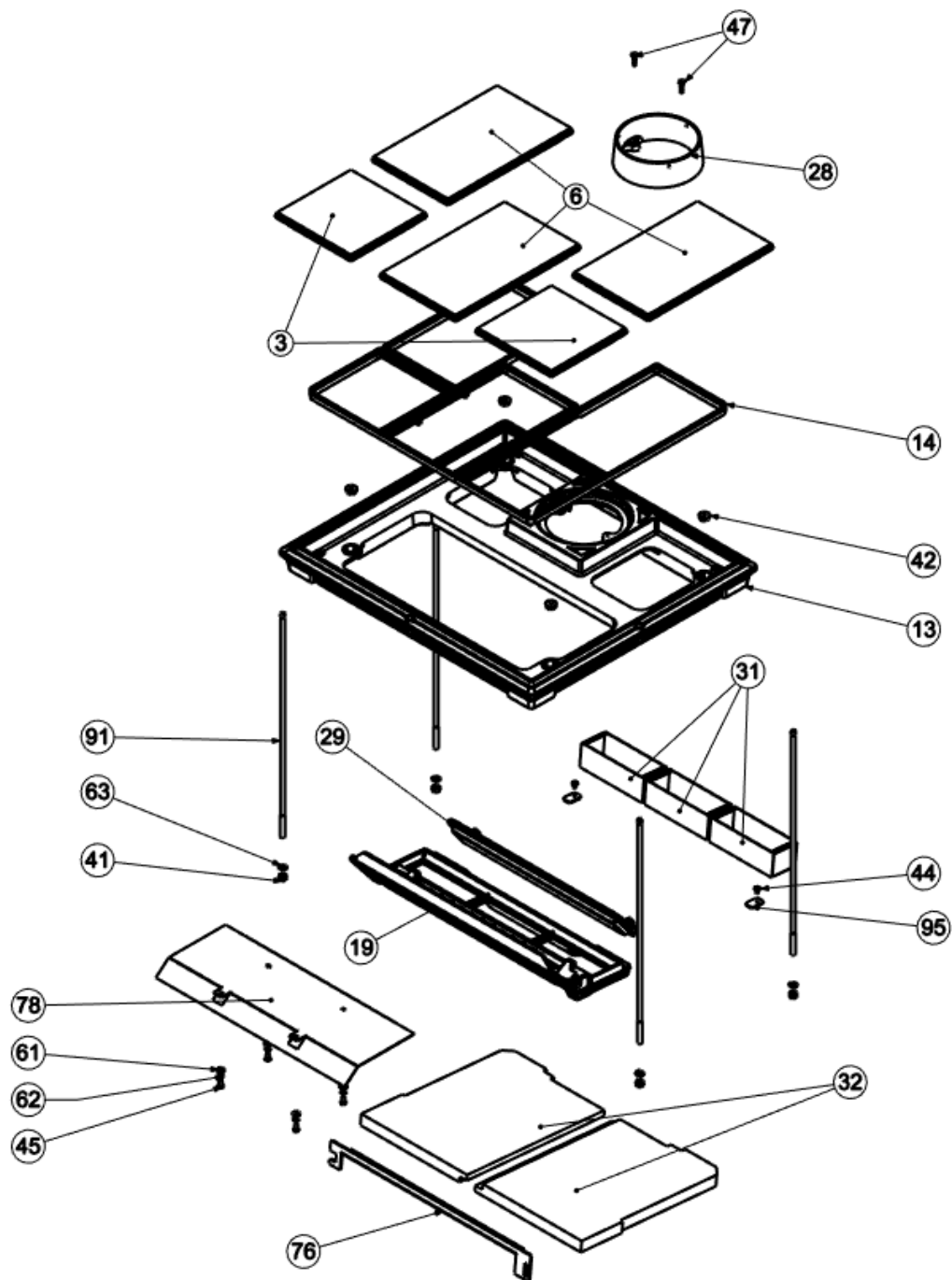
FRONT



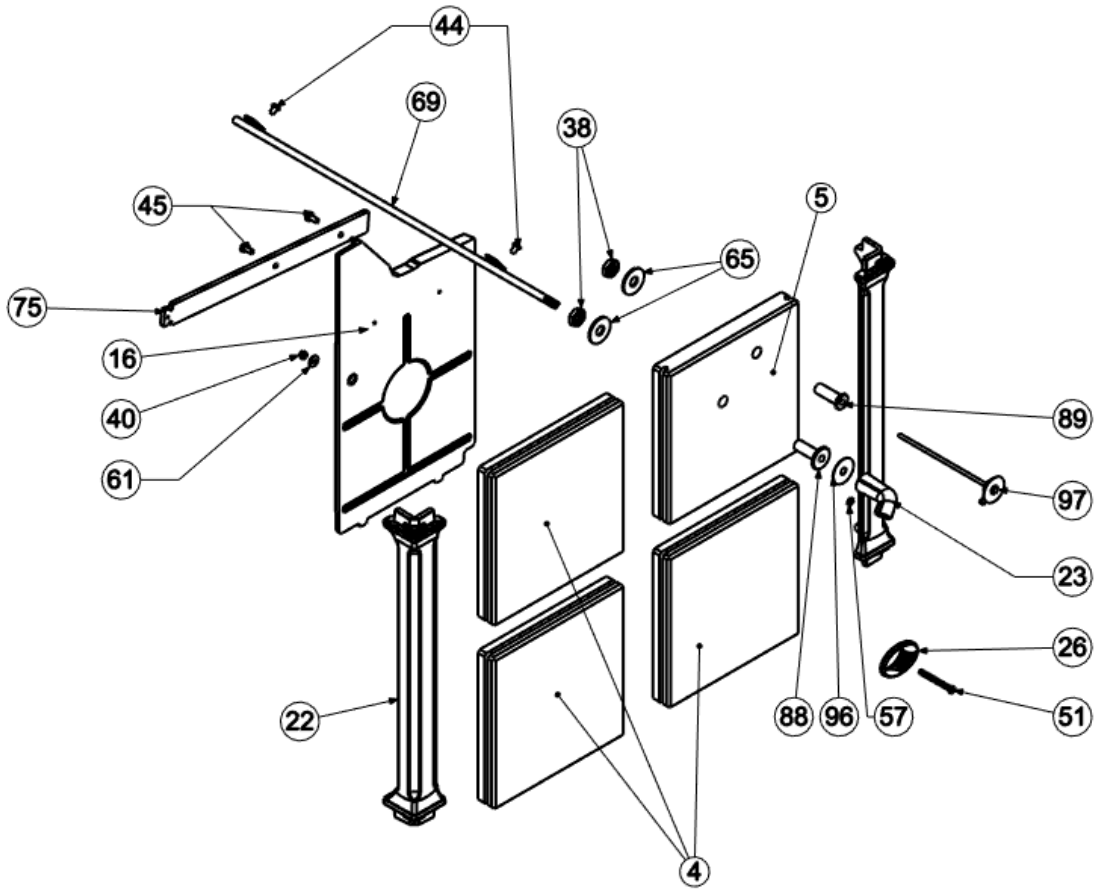
BOTTOM



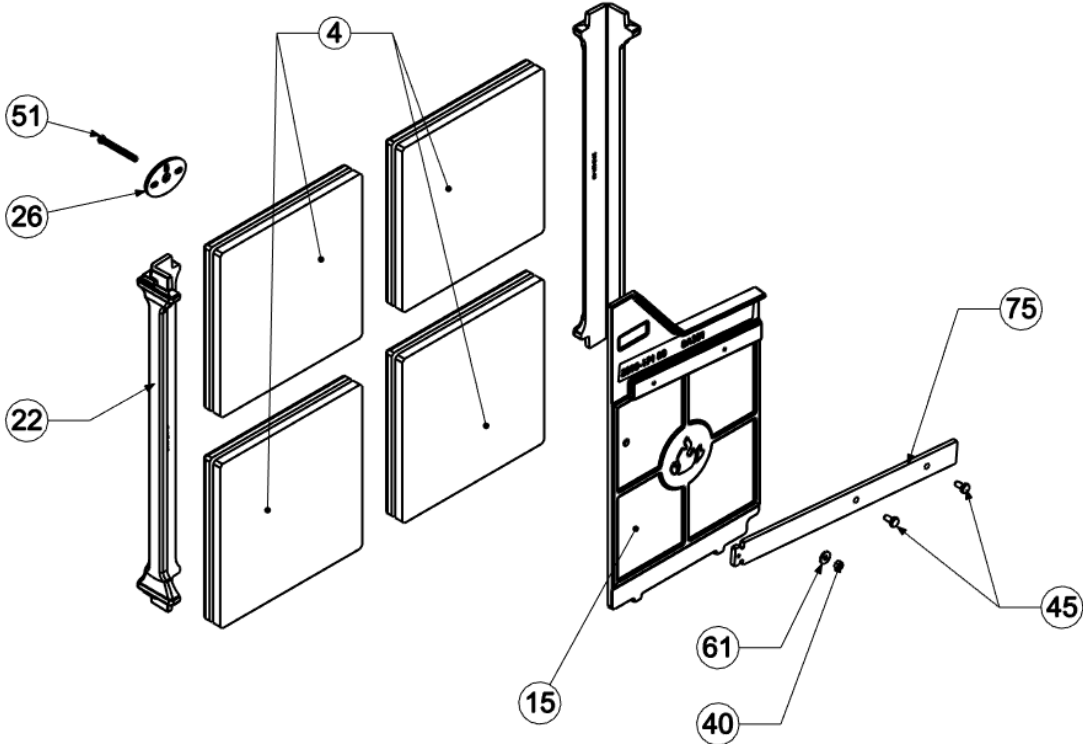
TOP



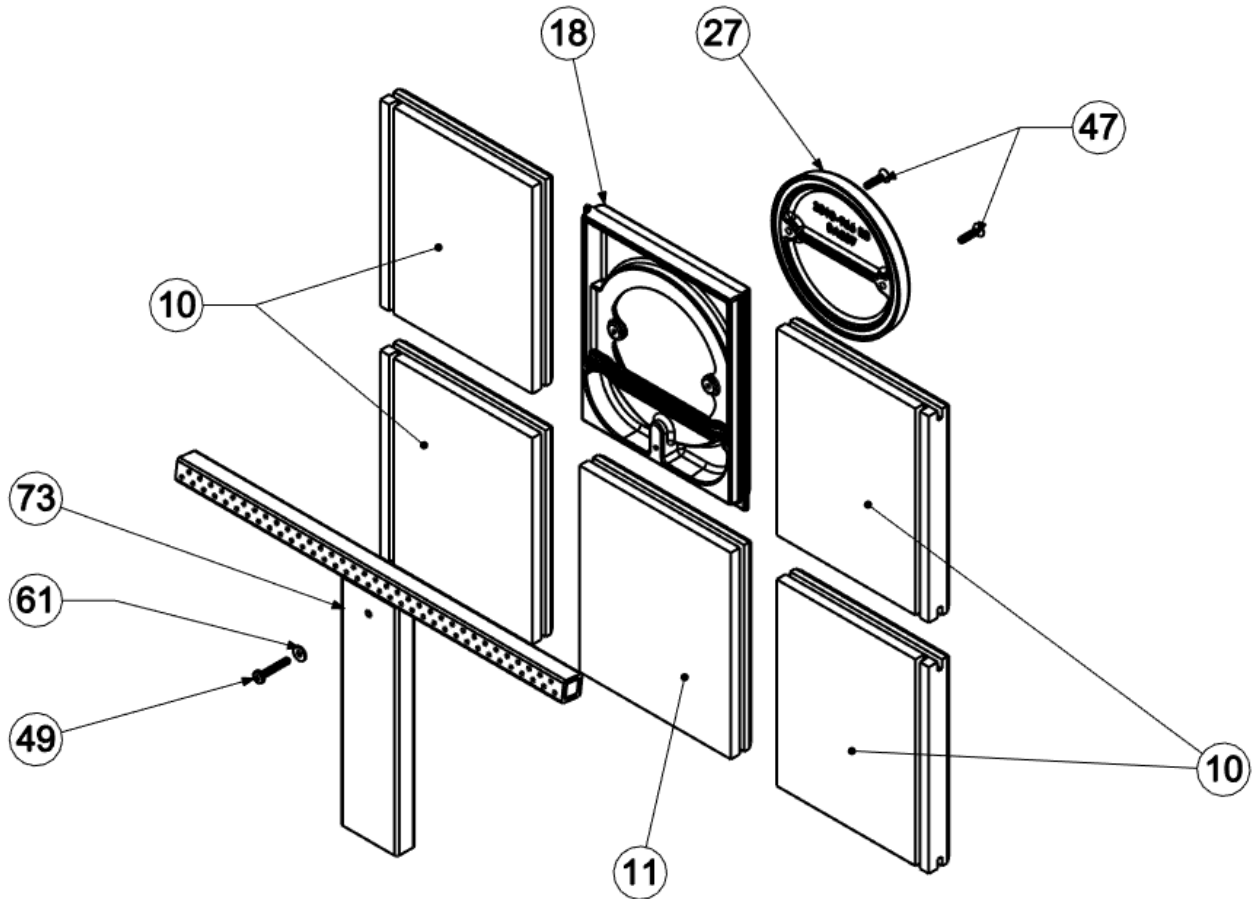
RIGHT SIDE



LEFT SIDE



BACK



Bill of Materials

ITEM NO.	PART NUMBER	DESCRIPTION	QTY.
1	1-0000-101	STONE: REF,4-1/2"x9"x1-1/4",MAN 1/HE	2
2	1-0000-105	STONE: LOWER REAR REF,4.5"x6.75"x1.25"	3
3	1041-110	STONE, POLISHED, 8.031X8.031X1.18	2
4	1041-115	STONE, SIDE, POLISHED, 9.48X9.48X1.18	7
5	1041-120	STONE, DRILLED, POLISHED, 9.48X9.48X1.18	1
6	1041-130	STONE, POLISHED, 13.24X8.03X1.18	3
7	1141-251	STONE, POLISHED	2
8	1141-252	STONE, POLISHED	2
9	1141-253	STONE, POLISHED	4
10	1201-25	STONE, POLISHED	4
11	1201-26	STONE, POLISHED	1
12	2010-131	BOTTOM CASTING	1
13	2010-136	TOP CASTING	1
14	2010-138	STONE GRID	1
15	2010-171	CAST, SIDE PLATE, LH	1
16	2010-172	CAST, SIDE PLATE, LH	1
17	2010-175	PRIMARY MANIFOLD	1
18	2010-191	REAR EXIT PLATE	1
19	2010-192	CATALYST PLATE	1
20	2010-205	FOOT	4
21	2010-221	ASH GRATE BLANK PLATE	1
22	2010-231	SIDE LEG	4
23	2010-254*	HANDLE CRANK, CAST	2
24	2010-262	FRONT DOOR, MATTE	1
25	2010-264	FRONT DOOR FRAME	1
26	2010-271	SIDE TRIM, MATTE	2
27	2310-966	FLUE CAP	1
28	2310-993	FLUE COLLAR	1
29	2610-845	BYPASS	1
30	3030-038*	GLASS	1
31	3050-010*	CATALYST, 6"	3
32	3120-012*	BAFFLE, L/R	2

33	3120-021*	GASKET: GLASS CLIP,BLACK, HER 1/TRI/BRI	8
34	3300-756	SAFETY RATING LABEL	1
35	3900-173*	PRIMARY AIR KNOB	1
36	3900-179*	WOOD HANDLE	2
37	4100-0127	BOLT: CARRIAGE,3/8-16x1-1/2	4
38	4200-0100	1/4" PIPE LOCK NUT	2
39	4200-0200*	NUT: FINISHING,1/4-20,HEX,ZN	1
40	4200-0250	NUT: FINISHING,1/4-20,HEX,SS	2
41	4200-0400	NUT: 3/8-16,ZN,GR2,90473A031	4
42	4200-0410	NUT: TAMPER-RESISTANT,3/8-16,ZN	4
43	4400-0100	RIVET: BLIND,1/8x1/4" GRIP,SS (CCP-4	3
44	4500-0540	SCREW: MACH,1/4- 20x3/8",PAN,PH,ZN,BLK	8
45	4500-0570	SCREW: CAP,1/4-20x1/2",HEX,SS	8
46	4500-0910	SCREW: CAP,1/4-20x1",HEX,SS	4
47	4500-1020	SCREW: FHCS,1/4-20x1",BL OX	4
48	4500-1040	SCREW: BHCS,1/4-20x1", BL OX	1
49	4500-1355	SCREW:MACH, 1/4-20 X 1-1/2". PAN, PH BLOX	1
50	4500-1359	SCREW: MACH,1/4- 20x3/4",PAN,PH,BLK	4
51	4500-1420	SCREW: CAP,1/4-20x2-1/4",LOW PRO,SOCK	2
52	4500-1575*	SCREW: MACH,1/4-20x2-3/4",ROUND,PH,ZN	1
53	4500-1680*	Screw: Mach 1/4-20, 3-1/2, Round, Slot, Zn	1
54	4500-1876	SCREW: MACH,10- 24x1/2",PAN,PH,BLK OX	8
55	4500-1910*	SCREW: MACH,10-24x1/2",FLAT,PH,	2
56	4500-2105*	SCREW: MACH,10-24x3/8",UN- CUT,FLAT,PH,	8
57	4500-2976*	SCREW: SET,5/16-18x3/8",HALF DOG,SOCKET	2
58	4500-3220	SCREW: CAP,5/16-18x1- 1/4",HEX,ZN,GR5	4
59	4500-3435	SCREW: T-CUT,8- 32x3/8", "F",PAN,PH,BL	6

60	4500-3436	SCREW: T-CUT,10-24x3/8,"F",PAN,PH,BLK	15
61	4600-0310	WASHER: FLAT,1/4,SAE,ZN (5/8" OD)	7
62	4600-0400*	WASHER: LOCK, 1/4",SPLIT,ZN	8
63	4600-0700	WASHER: LOCK,3/8,SPLIT,BL OX	4
64	4600-0800	WASHER: FLAT,5/16,USS (7/8" OD),BLK ZN	4
65	4600-0880	WASHER	2
66	4600-1210	WASHER	1
67	4700-0790*	SPACER: DOOR LATCH,0.435"x0.375"x0.03"	2
68	5012-066	BUSHING	1
69	5013-016	BYPASS ROD	1
70	5013-025	SLIDE: PRIMARY AIR CONTROL, MAN3	1
71	5013-030	BRACKET: SLIDE RETAINER, MAN3	2
72	5013-031	BRACKET: HEATSHIELD EXT, ASHPAN, MAN3	3
73	5013-101	SECONDARY RISER ASSY	1
74	5013-201	PANEL, AIR INTAKE MANIFOLD	1
75	5013-301	SIDE BAFFLE SUPPORT	2
76	5013-303	FRONT BAFFLE SUPPORT	1
77	5013-440	HEATSHIELD EXTENSION	1
78	5013-450	TOP HEAT SHIELD	1
79	5021-026*	LATCH: DOOR,DOUBLE BEVEL	1
80	5021-032*	WASHER: FLAT,.406"IDx1"ODx.035"T,BLK	1
81	5021-060*	GLASS CLIP	8
82	5022-010	CENTER BOTTOM SHIELD	1
83	5022-026	PLATE: HINGE, HER2	4
84	5022-028	PIN: HINGE, HER2/3	2
85	5022-070*	RIGHT STRIKER	1
86	5030-045	HINGE BUSHING	2
87	5030-060	STRIKER	1
88	5031-125	BYPASS ESCUTCHEON	1
89	5031-130	PROBE ESCUTCHEON	1
90	5100-010	LABEL CLIP	1
91	5210-2330	ROD: THREAD,3/8-16x20.5",0.31"&2"	4
92	5240-138*	SPRING: LATCH, WOOD STOVES 350#	1
93	5400-2204*	ADAPTOR: HANDLE	1

94	5570-030	CABLE: LABEL	1
95	5640-018	BYPASS RETAINER	2
96	5660-100	INDICATOR PLATE, BYPASS	1
97	7200-525	CAT TEMP PROBE 7"	1

* = Available in kits only.

REPLACEMENT KITS AND ACCESSORIES

90-58230	GASKET KIT
90-58215	GLASS KIT
90-71240	HANDLE KIT
90-73240	FRONT DOOR LATCH KIT
90-73229	FRONT DOOR REVERSAL KIT
90-57220	ASH PAN KIT
90-53220	OUTSIDE AIR KIT
90-57210	BLOWER KIT
90-68210	REAR HEAT SHIELD

Note: See manual for accessory kits.