



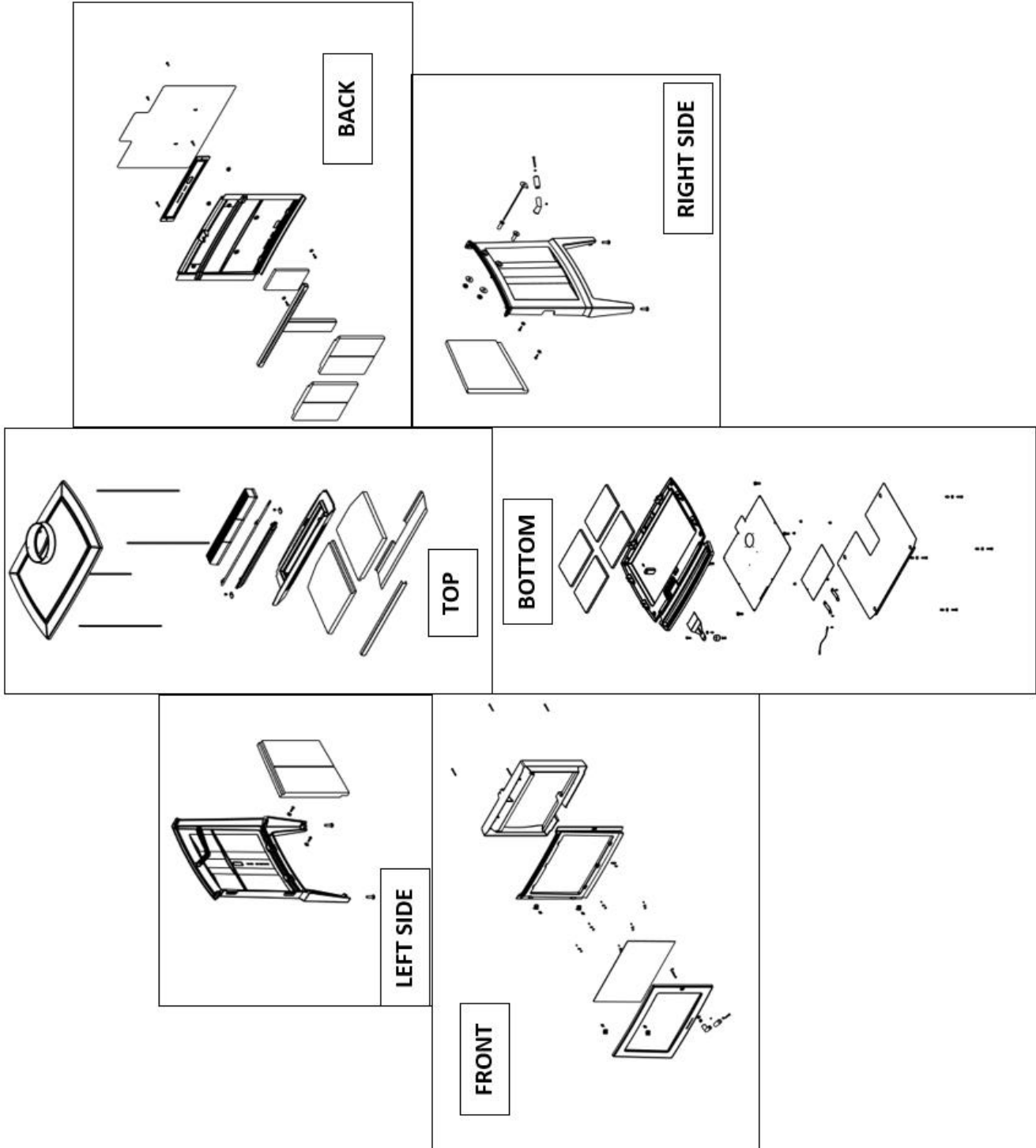
Green Mountain 80

Model 8680

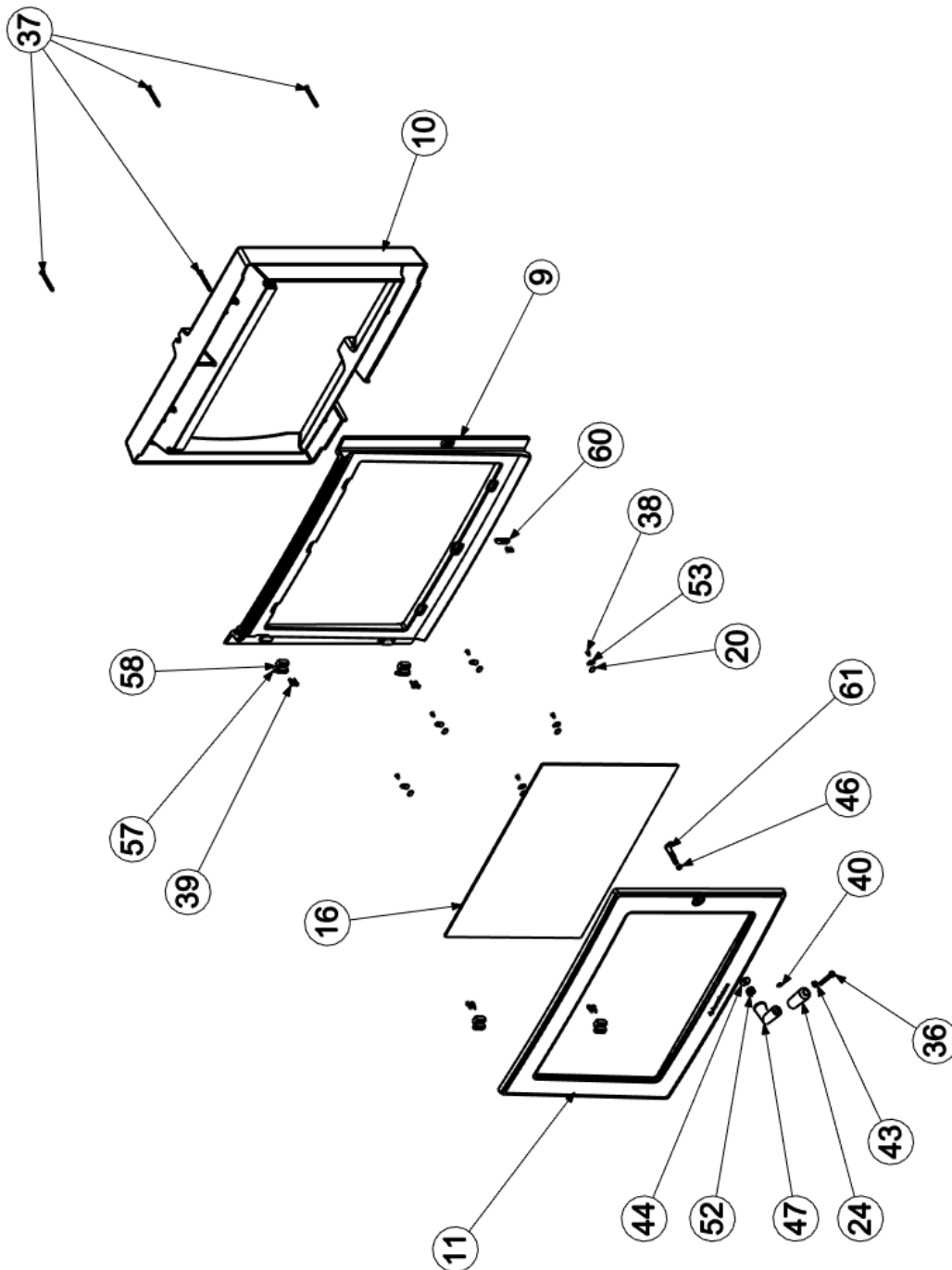


Illustrated Parts List

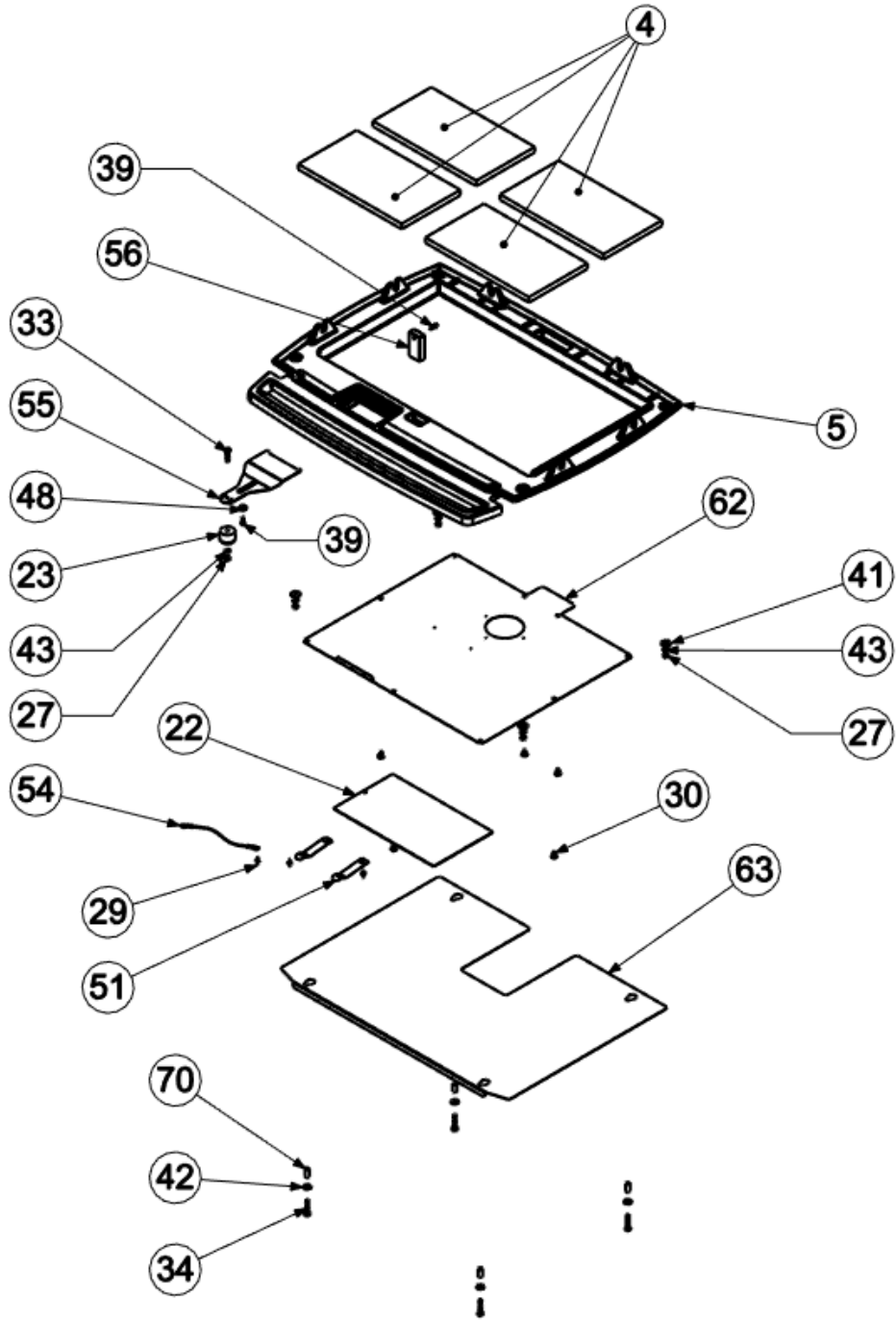
Full Assembly



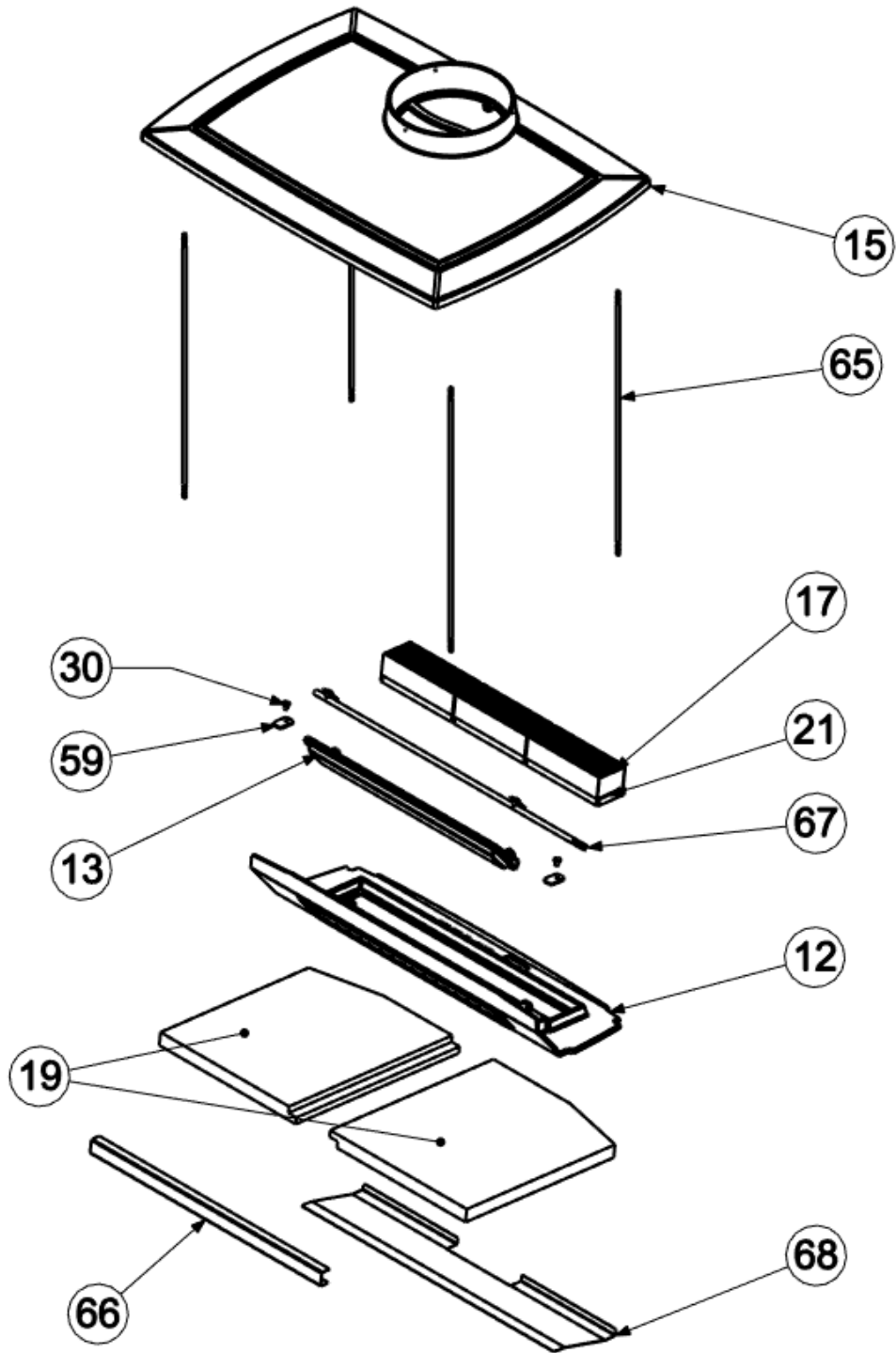
FRONT



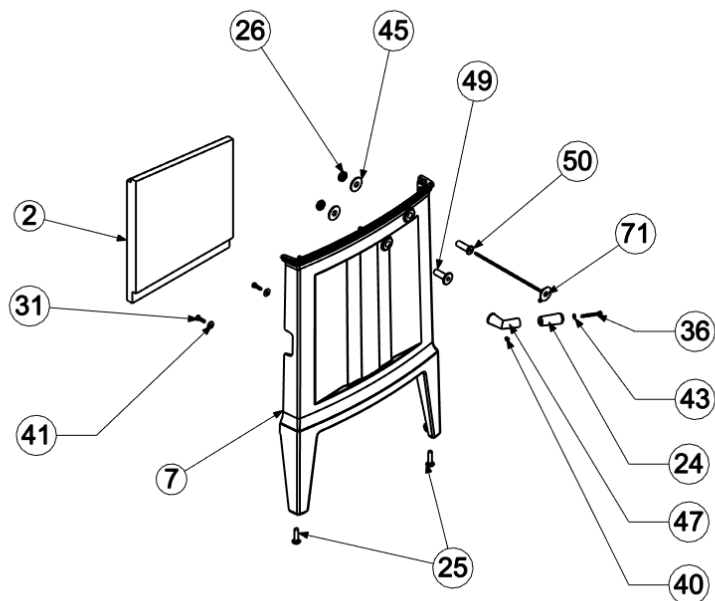
BOTTOM



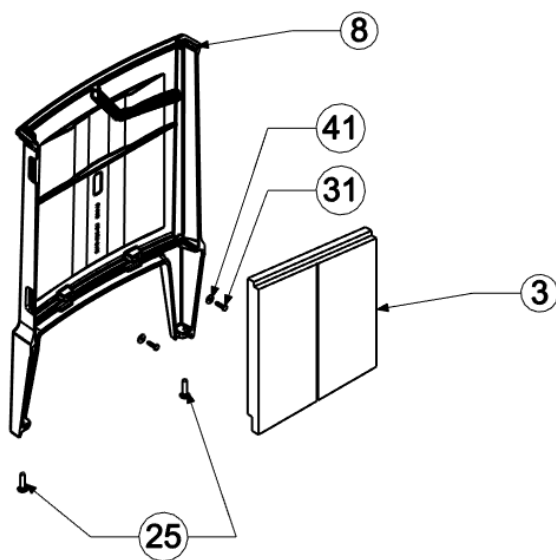
TOP



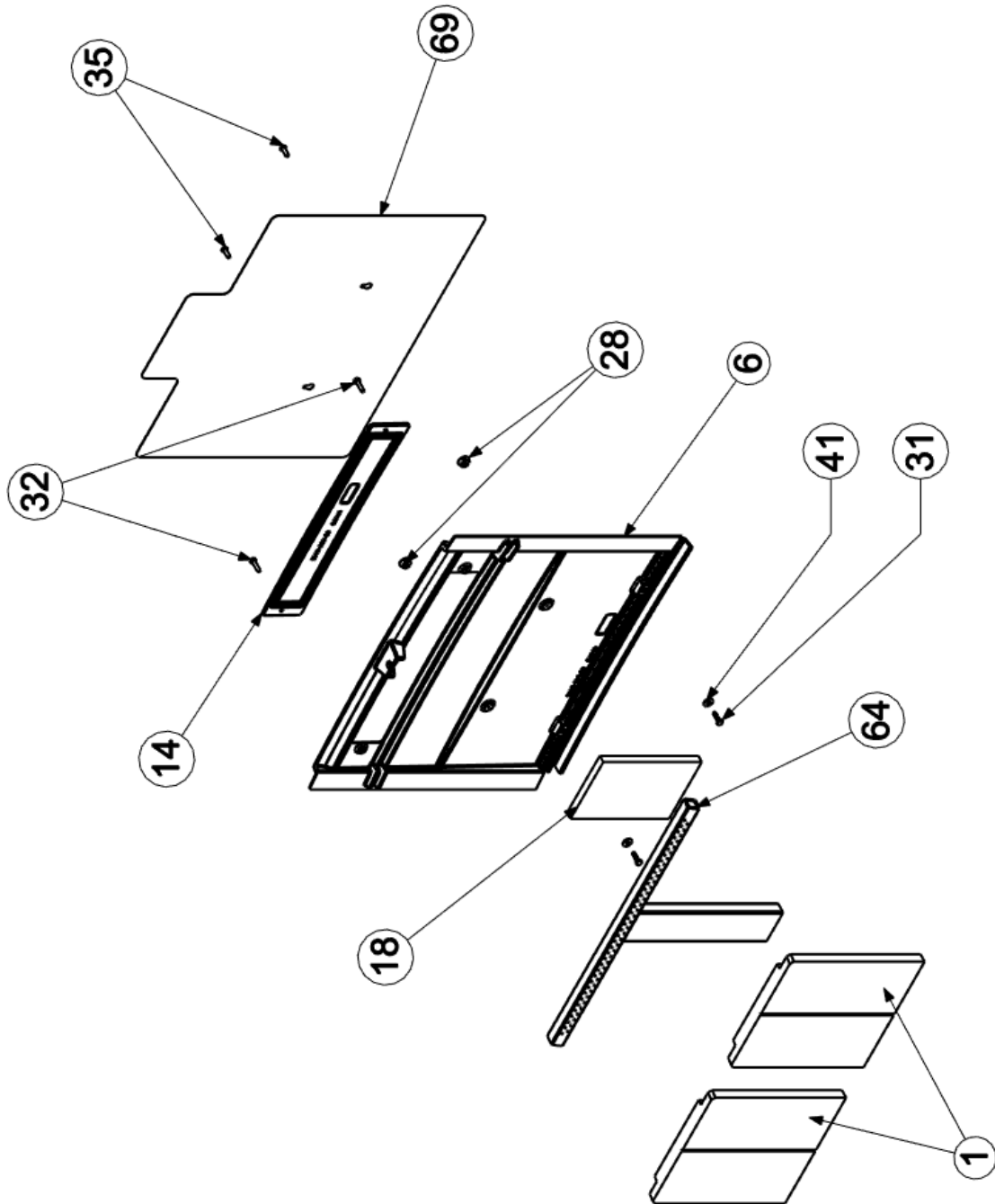
RIGHT SIDE



LEFT SIDE



BACK



Bill of Materials

ITEM NO.	PART NUMBER	DESCRIPTION	QTY.
1	1-0600-800	REAR STONE	2
2	1-0600-801	RIGHT SIDE STONE	1
3	1-0600-802	LEFT SIDE STONE	1
4	1-0600-803	BOTTOM STONE	4
5	2610-805	BOTTOM	1
6	2610-810	BACK	1
7	2610-815	SIDE, RIGHT	1
8	2610-820	SIDE, LEFT	1
9	2610-825	FRONT	1
10	2610-830	MANIFOLD, PRIMARY AIR	1
11	2610-835	DOOR	1
12	2610-840	CATALYST PLATE	1
13	2610-845	BYPASS	1
14	2610-850	COVER, CATALYST ACCESS	1
15	2610-855	TOP	1
16	3030-054*	GLASS	1
17	3050-010*	CATALYST, 6"	3
18	3070-023	REAR INSULATION	1
19	3070-026*	BAFFLE, L/R	2
20	3120-021*	GASKET: GLASS CLIP, BLACK	6
21	3160-080*	GASKET, TAPE, 3/4"X 1/16", AD (1985'/SPO	3
22	3300-693	LABEL: SAFETY/RATING,GM80	1
23	3900-173	PRIMARY AIR KNOB	1
24	3900-175*	HANDLE - DOOR / BYPASS	2
25	4100-0127	BOLT: CARRIAGE,3/8-16x1-1/2	4
26	4200-0100	1/4" PIPE LOCK NUT	2
27	4200-0200	NUT: FINISHING,1/4-20,HEX,ZN	5
28	4200-0410	NUT: TAMPER-RESISTANT,3/8-16,ZN	2
29	4400-0100	RIVET: BLIND,1/8x1/4" GRIP,SS (CCP-4	3
30	4500-0540	SCREW: MACH,1/4- 20x3/8",PAN,PH,ZN,BLK	9
31	4500-0702	SCREW: CAP,1/4- 20x7/8",HEX,GRADE 5,BL OX	6
32	4500-0900	SCREW: CAP,1/4-20x1",HEX,GRADE 5	2
33	4500-1040	SCREW: BHCS,1/4-20x1", BL OX	1

Bill of Materials

34	4500-1200	SCREW: CAP,1/4-20x1-1/4",HEX,GRADE 5,B	4
35	4500-1359	SCREW: MACH,1/4-20x3/4",PAN,PH,BLK	2
36	4500-1377*	SCREW: MACH,1/4-20x2",PAN,PH,BL OX	2
37	4500-1510	SCREW: MACH,1/4-20x2-1/4",FLAT,PH,ZN	4
38	4500-2105*	SCREW: MACH,10-24x3/8",UN-CUT,FLAT,PH,	8
39	4500-2132	SCREW: SHCS,10-24x1/2",BL OX	10
40	4500-2976*	SCREW: SET,5/16-18x3/8",HALF DOG,SOCKET	2
41	4600-0300	WASHER: FLAT,1/4,USS,BLK OX (3/4" OD)	10
42	4600-0310	WASHER: FLAT,1/4,SAE,ZN (5/8" OD)	4
43	4600-0400*	WASHER: LOCK, 1/4",SPLIT,ZN	7
44	4600-0800*	WASHER: FLAT,5/16,USS (7/8" OD),BLK ZN	1
45	4600-0880	WASHER	2
46	4700-0790*	SPACER: DOOR LATCH,0.435"x0.375"x0.03"	4
47	5000-565*	HANDLE CRANK: BLK CHROME, EQU GM40,60,80	2
48	5012-066	BUSHING	1
49	5031-125	BYPASS ESCUTCHEON	1
50	5031-130	PROBE ESCUTCHEON	1
51	5100-010	LABEL CLIP	2
52	5240-138*	SPRING: LATCH,WOOD STOVES,325#	1
53	5370-068*	CLIP: GLASS	6
54	5570-030	CABLE: LABEL,1/16"Dx12",2 EYES	1
55	5640-004	AIR CONTROL	1
56	5640-006	PIPE: LPAO	1
57	5640-008	PIN: HINGE	2
58	5640-009	HINGE BLOCK	4
59	5640-018	BYPASS RETAINER	2
60	5640-020	STRIKER*	1
61	5640-022*	DOOR LATCH	1
62	5680-002	BOTTOM SHIELD	1
63	5680-003	Heatshield Extension	1
64	5680-010	SECONDARY RISER ASSY	1
65	5680-012	TIE ROD	4

Bill of Materials

66	5680-014	GUARD, BAFFLE	1
67	5680-016	GM40 Bypass Rod Assy	1
68	5680-018	SECONDARY AIR DEFLECTOR	1
69	5680-024	FLAT REAR SHIELD	1
70	5710-405	SLEEVE	4
71	7200-520	CAT TEMP PROBE 10"	1

* = Available in kits only.

REPLACEMENT KITS AND ACCESSORIES

96-58803	GASKET KIT
96-58805	GLASS KIT
96-71400	HANDLE KIT
96-73400	FRONT DOOR LATCH KIT
96-75800	CATALYST REPLACEMENT KIT
96-76800	BAFFLE KIT
96-57800	BLOWER KIT
96-53400	OUTSIDE AIR KIT

Note: See manual for accessory kits.