



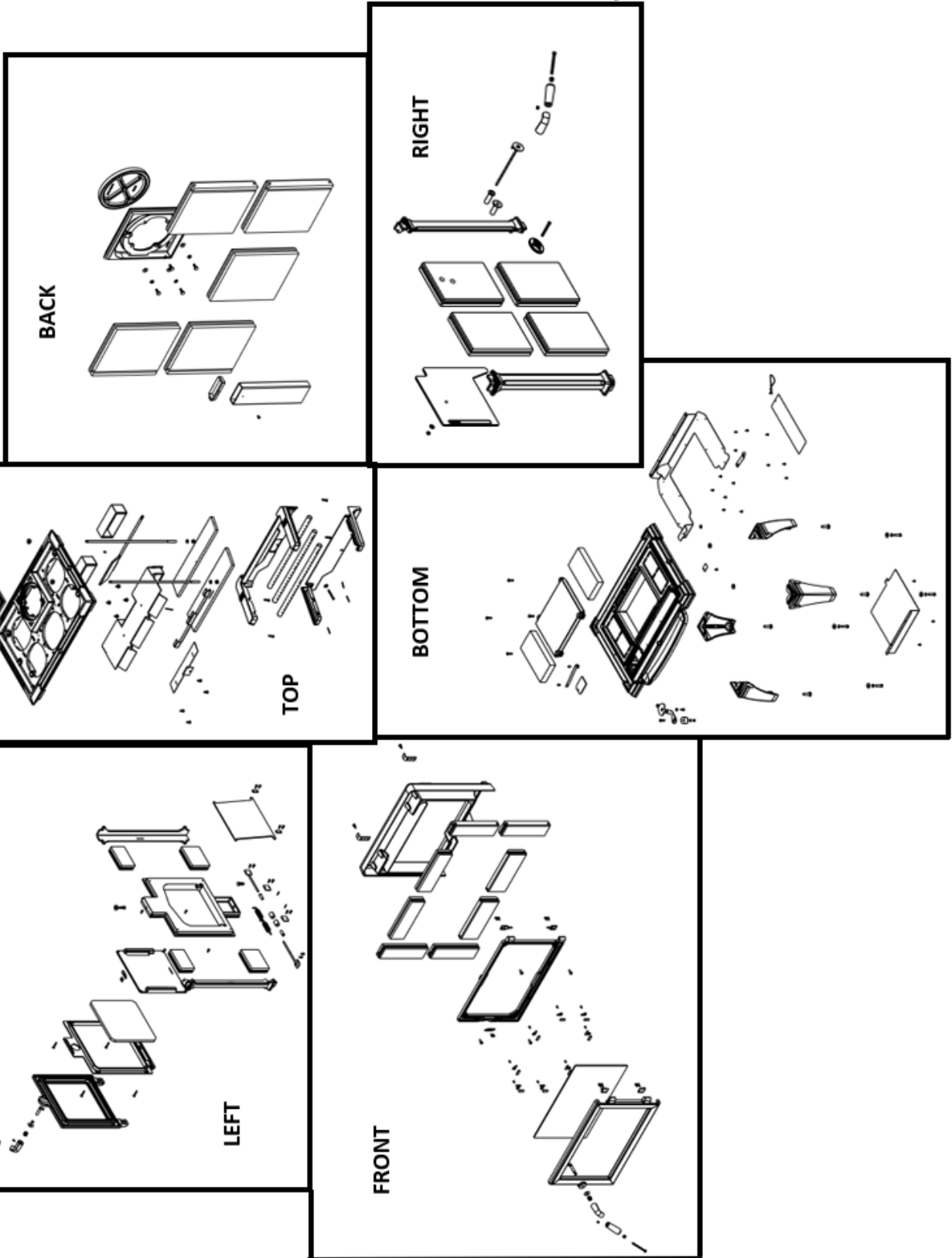
HERITAGE IV

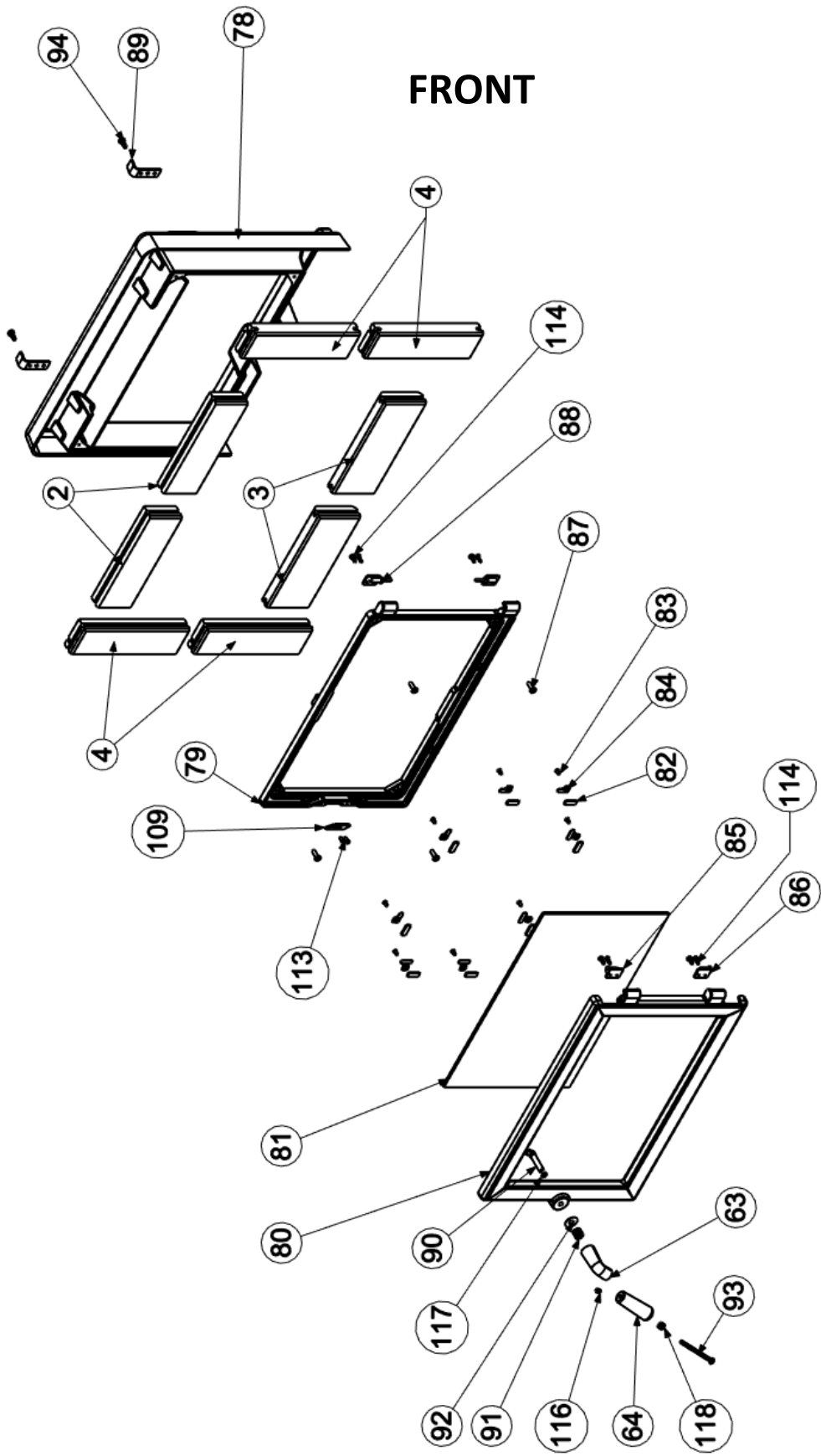


Model 8024

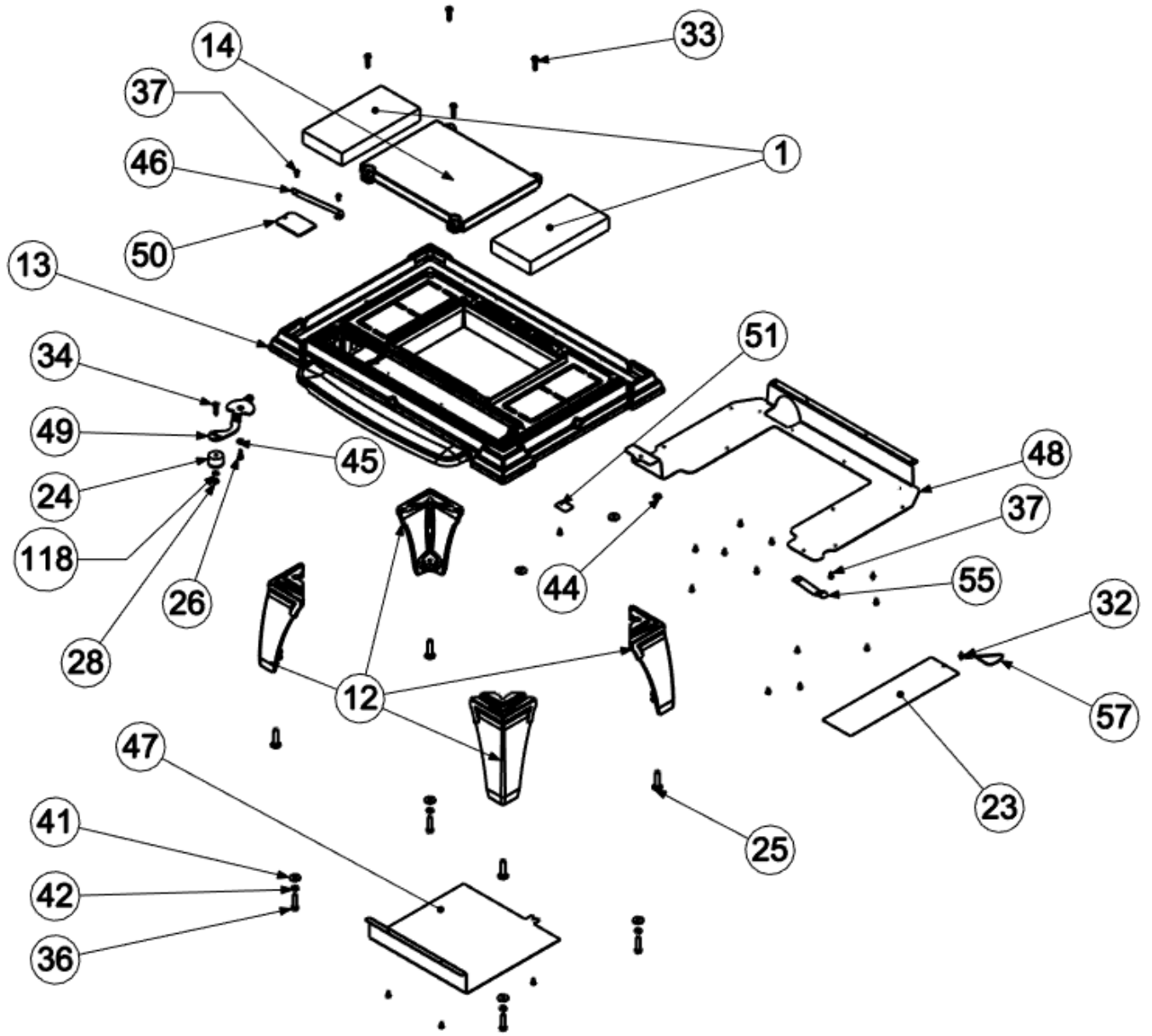
Illustrated Parts List

Full Assembly

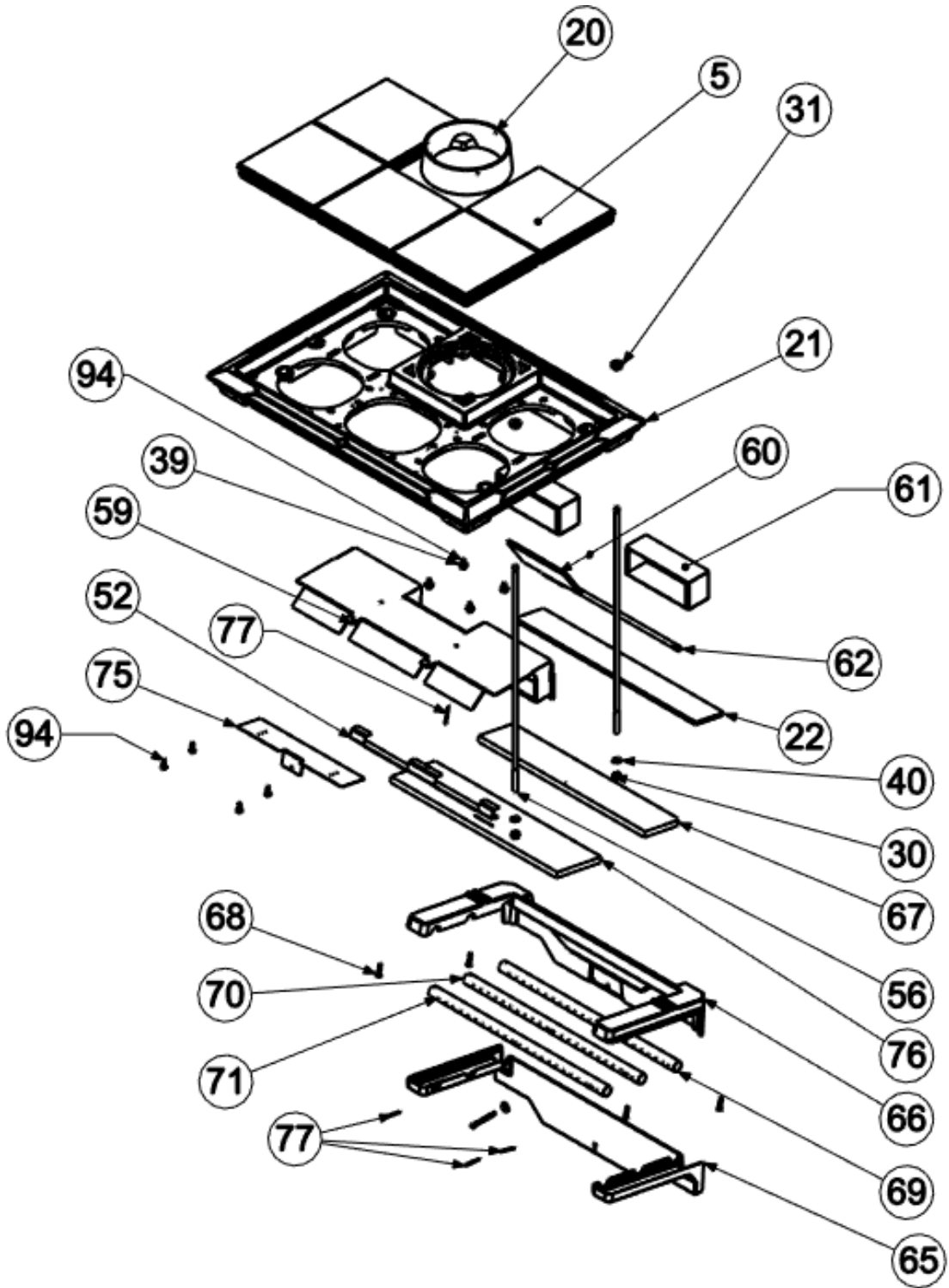




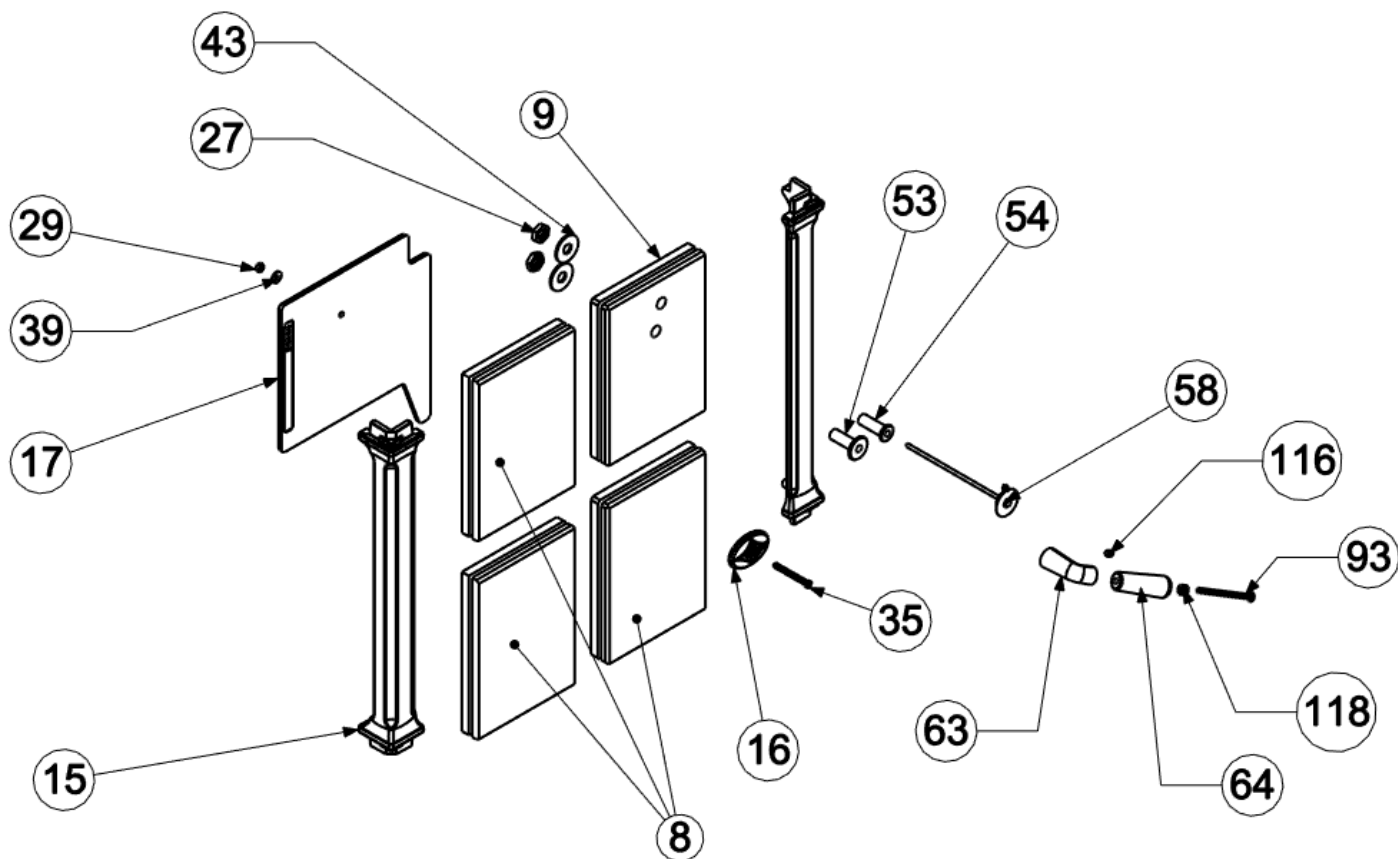
BOTTOM



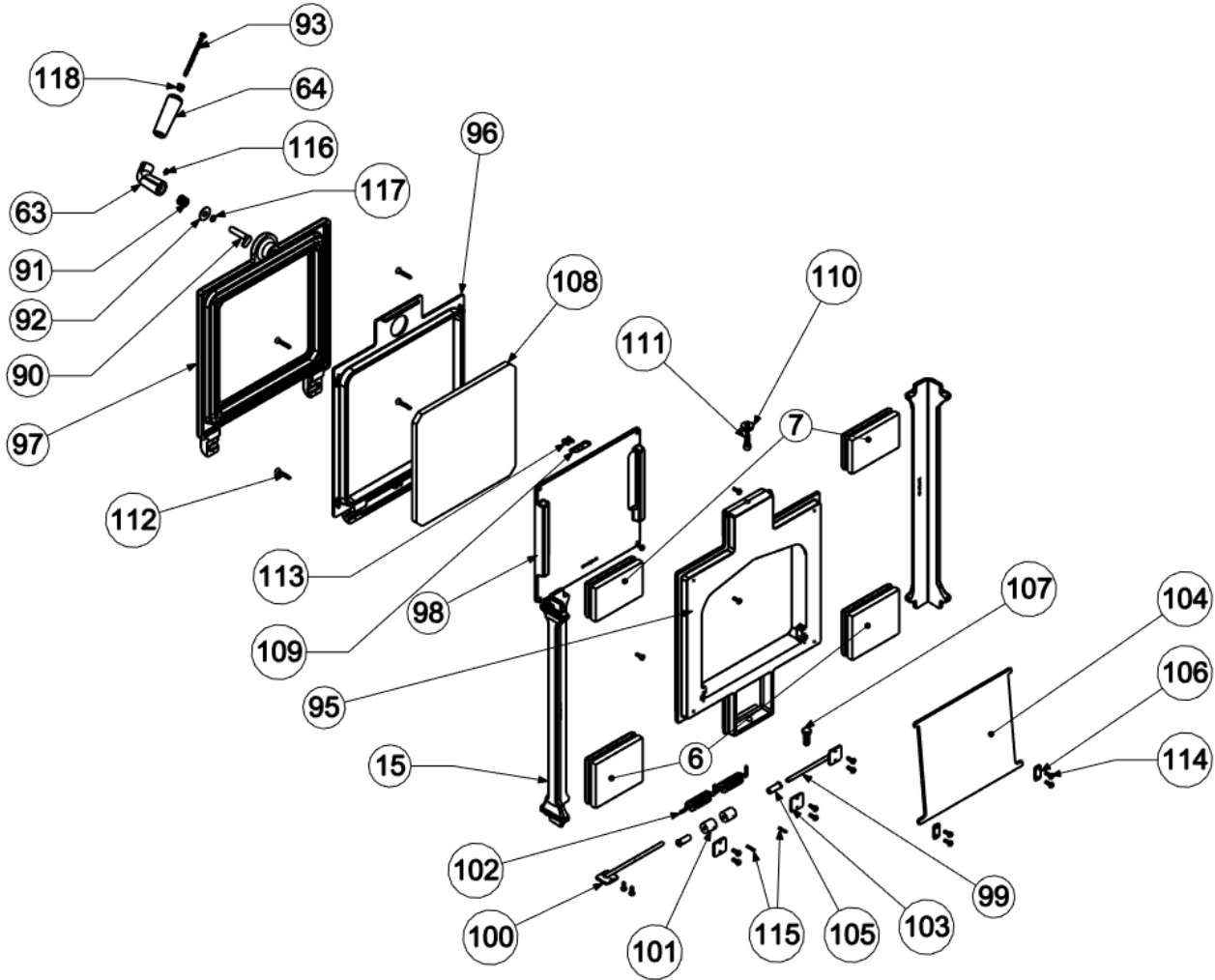
TOP



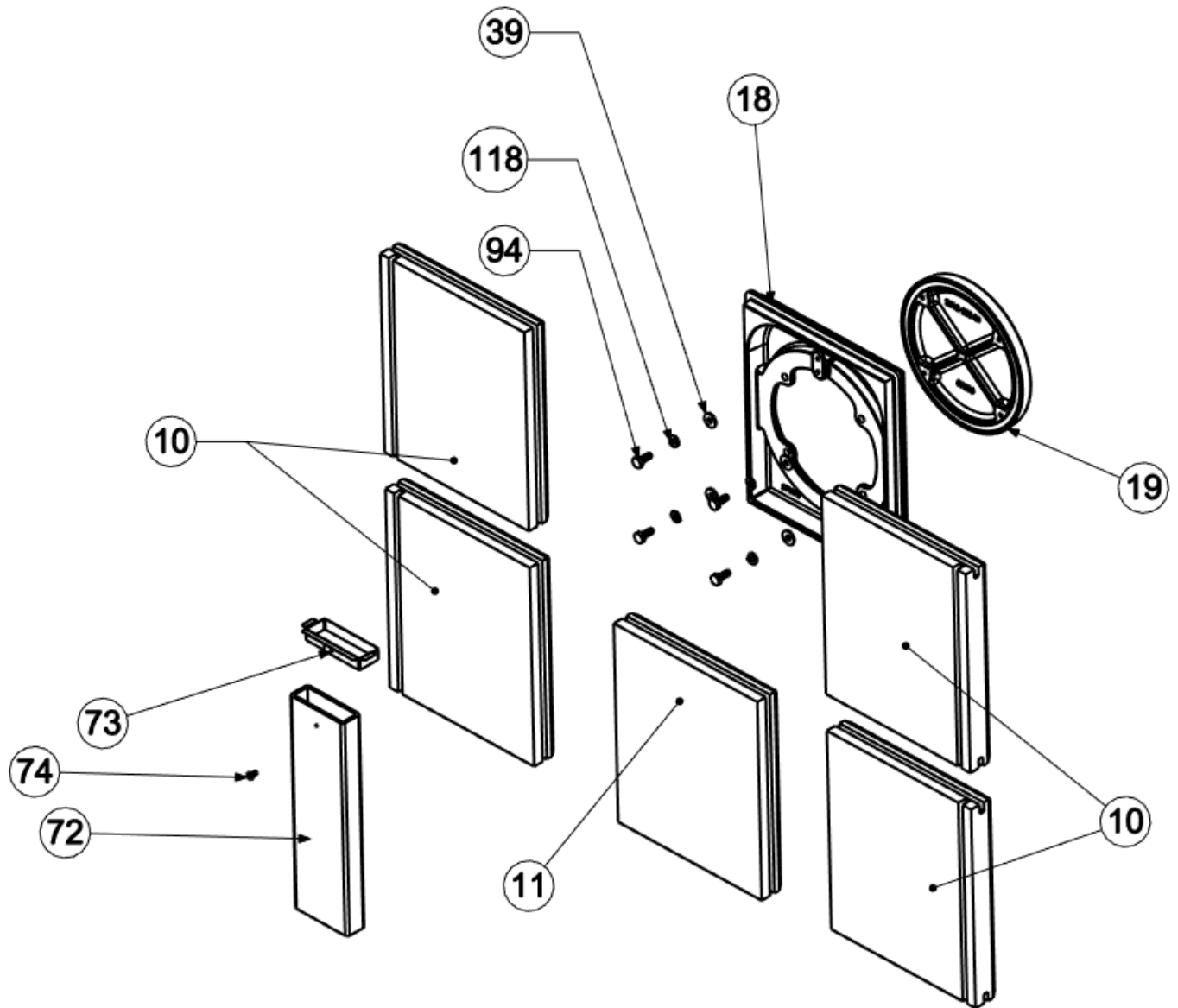
RIGHT SIDE



LEFT SIDE



BACK



Bill of Materials

ITEM NO.	PART NUMBER	DESCRIPTION	QTY.
1	1-0000-101	STONE: REF,4-1/2"x9"x1-1/4", HER	2
2	1141-251	STONE, POLISHED	2
3	1141-252	STONE, POLISHED	2
4	1141-253	STONE, POLISHED	4
5	1141-272	STONE, POLISHED	5
6	1141-276	STONE, POLISHED	2
7	1141-278	STONE, POLISHED	2
8	1141-280	STONE, POLISHED	3
9	1141-281	STONE, POLISHED, DRILLED FOR CATALYST, R	1
10	1201-25	STONE, POLISHED	4
11	1201-26	STONE, POLISHED	1
12	2010-205	FOOT	4
13	2010-214	BOTTOM CASTING	1
14	2010-221	GRATE: ASH,BLANK PLATE,HER2	1
15	2010-231	SIDE LEG	4
16	2010-271	SIDE TRIM, MATTE	1
17	2010-273	SIDE IMPACT PLATE	1
18	2010-281	REAR EXIT PLATE	1
19	2010-282	FLUE BLANK PLATE	1
20	2010-285	FLUE COLLAR	1
21	2010-291	TOP CASTING, HER8022	1
22	3120-025	REAR BAFFLE BLANKET	1
23	3300-753	LABEL: SAFETY/RATING, HER	1
24	3900-173	PRIMARY AIR KNOB	1
25	4100-0127	BOLT: CARRIAGE,3/8-16x1-1/2	4
26	4100-0230	SCREW: SHOULDER,10-24x1/4"Dx1/4"L,SOCKET	1
27	4200-0100	1/4" PIPE LOCK NUT	2
28	4200-0200	NUT: FINISHING,1/4-20,HEX,ZN	1
29	4200-0250	NUT: FINISHING,1/4-20,HEX,SS	1
30	4200-0400	NUT: 3/8-16,ZN,GR2,90473A031	2
31	4200-0410	NUT: TAMPER-RESISTANT,3/8-16,ZN	2

Bill of Materials

32	4400-0100	RIVET: BLIND,1/8x1/4" GRIP,SS (CCP-4)	2
33	4500-0910	SCREW: CAP,1/4-20x1",HEX,SS	4
34	4500-1020*	SCREW: FHCS,1/4-20X1",BL OX	1
35	4500-1420	SCREW: CAP,1/4-20x2-1/4",LOW PRO,SOCK	2
36	4500-3220	SCREW: CAP,5/16-18x1- 1/4",HEX,ZN,GR5	4
37	4500-3436	SCREW: T-CUT,10- 24x3/8,"F",PAN,PH,BLK	18
38	4600-0300	WASHER: FLAT,1/4,USS,BLK OX (3/4" OD)	1
39	4600-0310	WASHER: FLAT,1/4,SAE,ZN (5/8" OD)	13
40	4600-0700	WASHER: LOCK,3/8,SPLIT,BL OX	2
41	4600-0800	WASHER: FLAT,5/16,USS (7/8" OD),BLK ZN	6
42	4600-0850	WASHER: LOCK,5/16,SPLIT,MED,ZN	4
43	4600-0880	WASHER	2
44	4600-1415	WASHER: BELLVILLE SPRING,1/4IDx5/8OD,9712K21	1
45	4700-0850	SPACER: DOOR,1/4" IDx1/2" ODx1/8" T,	1
46	5021-020	PRIMARY AIR SLIDER RETAINER	1
47	5022-010	CENTER BOTTOM SHIELD	1
48	5022-012	OUTSIDE AIR PLENUM	1
49	5024-020	AIR CONTROL HANDLE	1
50	5024-025	PRIMARY AIR CONTROL SLIDER	1
51	5024-041	SECONDARY AIR RESTRICTOR	1
52	5031-105	REAR BAFF SUPPORT	1
53	5031-125	BYPASS ESCUTCHEON	1
54	5031-130	PROBE ESCUTCHEON	1
55	5100-010	LABEL CLIP	1
56	5210-2330	ROD: THREAD,3/8-16x20.5",0.31"&2"	2
57	5570-030	CABLE: LABEL,1/16"Dx12",2 EYES	1
58	7200-525	CAT TEMP PROBE 7"	1
59	5024-110	DAM	1
60	5024-115	BYPASS DOOR	1
61	3050-010	CATALYST, 6"	2

Bill of Materials

62	5024-120	BYPASS SHAFT	1
63	2010-254*	HANDLE CRANK, CAST	3
64	3900-179*	WOOD HANDLE	3
65	2010-241	SECONDARY AIR PLENUM BOTTOM	1
66	2010-244	SECONDARY AIR PLENUM TOP	1
67	3120-024*	CERAMIC BAFFLE BOARD, REAR	1
68	4500-1010	SCREW: MACH,1/4-20x1",FLAT,PH,BL OX	4
69	5021-041	PIPE: AIR,SECONDARY,#1,HER 1	1
70	5024-042	SECONDARY AIR TUBE #2	1
71	5024-043	SECONDARY AIR TUBE #3	1
72	5024-045	SECONDARY RISER PIPE	1
73	5023-048	GASKET KEEPER	1
74	4500-3435	SCREW: T-CUT,8- 32x3/8", "F", PAN, PH, BL	1
75	5022-014	BAFFLE BRACKET	1
76	3120-023*	CERAMIC BAFFLE BOARD, FRONT	1
77	4300-0110*	PIN: COTTER, 1/8X2",SS	4
78	2010-251	PLENUM: PRIMARY AIR	1
79	2010-264	FRONT DOOR FRAME	1
80	2010-262	FRONT DOOR, MATTE	1
81	3030-038*	GLASS: IR,11-5/16"x18"x5mm,HER 1	1
82	3120-021*	GASKET: GLASS CLIP,BLACK, HER 1/TRI/BRI	8
83	4500-2105*	SCREW: MACH,10-24x3/8",UN- CUT,FLAT,PH,	8
84	5021-060*	GLASS CLIP	8
85	5022-026	PLATE: HINGE, HER2	4
86	5030-045	HINGE BUSHING	2
87	4500-1359	SCREW: MACH,1/4- 20x3/4",PAN,PH,BLK	4
88	5022-028	PIN: HINGE, HER2/3	2
89	5024-100	MANIFOLD SUPPORT BRACKET	2
90	5021-026*	LATCH: DOOR,DOUBLE BEVEL	2
91	5240-138*	SPRING: LATCH, WOOD STOVES 350#	2

Bill of Materials

92	5021-032*	WASHER: FLAT,.406"IDx1"ODx.035"T,BLK	2
93	4500-1680*	Screw: Mach 1/4-20, 3-1/2, Round, Slot, Zn	3
94	4500-0701	SCREW: CAP,1/4-20x5/8",HEX,SS	14
95	2010-234	SIDE DOOR FRAME	1
96	2010-236	SIDE DOOR FRAME COVER	1
97	2010-238	SIDE DOOR	1
98	2010-239	SIDE DOOR STONE PLATE	1
99	5000-324	SHAFT:HINGE,R, EQU,HER3, HER4	1
100	5000-325	SHAFT:HINGE,L, EQU, HER3, HER4	1
101	5000-106	SLEEVE,SPRING RETAINING,EQU. HER3,HER4	2
102	5240-142	SPRING: TORSION,SIDE DOOR (SPC 40363)	2
103	5000-320	PLATE: HINGE, DOOR, BLACK OXIDE, EQU	2
104	5022-018	SIDE DOOR STOP PLATE	1
105	5000-105	SHOULDER BUSHING	2
106	5350-032	CLIP: HINGE,SIDE DOOR	2
107	4500-2810	SCREW: CAP,3/8- 16X1",HEX,ZN,GR8,92620A624	1
108	1141-270	STONE, POLISHED	1
109	5030-060	STRIKER	2
110	4200-0415	NUT: TAMPER-RESIST,5/16-18,ZN	1
111	4500-1035	SCREW:SHCS,5/16-18X7/8",BI Ox	1
112	4500-1300	SCREW: MACH,1/4-20x1- 1/4",FLAT,PH,BLK OX	4
113	4500-1910	SCREW: MACH,10-24x1/2",FLAT,PH,	4
114	4500-1876	SCREW: MACH,10- 24x1/2",PAN,PH,BLK OX	24
115	4300-0195	PIN: SPIROL,1/8x3/4"(MC 95755A231)	2
116	4500-2976*	SCREW: SET,5/16-18x3/8",HALF DOG,SOCKET	4
117	4700-0790*	SPACER: DOOR LATCH,0.435"x0.375"x0.03"	4
118	4600-0400*	WASHER: LOCK, 1/4",SPLIT,ZN	22

* = Available in kits only.

REPLACEMENT KITS AND ACCESSORIES

90-57210	BLOWER KIT
90-53220	OUTSIDE AIR KIT
90-68210	REAR HEAT SHIELD KIT
90-58313	CATALYST GASKET KIT
90-58215	GLASS KIT
90-71240	DOOR HANDLE KIT
90-73240	DOOR LATCH KIT
90-70210	SIDE DOOR LOCK KIT
90-76240	BAFFLE KIT
90-75310	CATALYST REPLACEMENT KIT
90-58230	GASKET KIT

Note: See manual for accessory kits.