

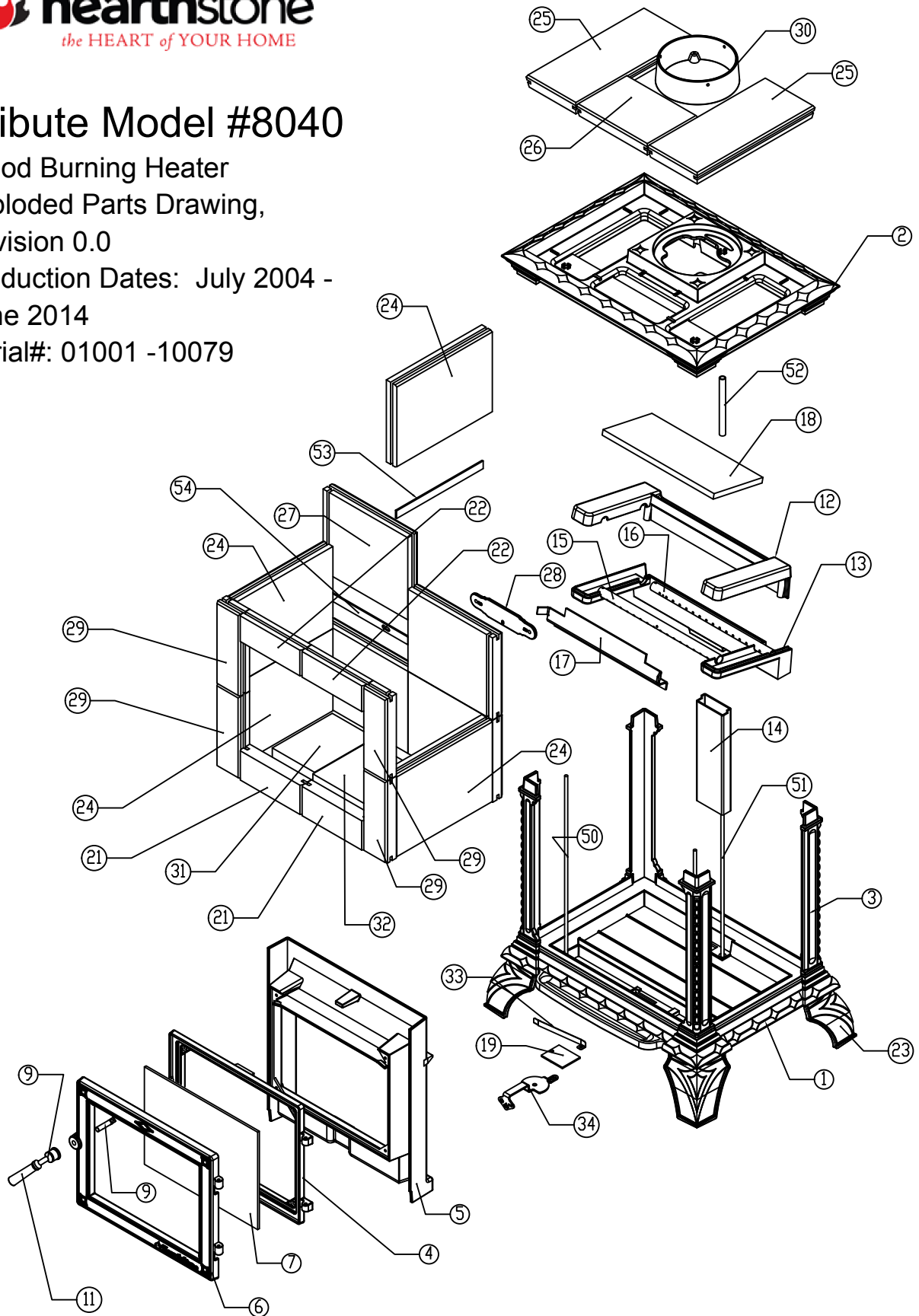


# Tribute Model #8040

Wood Burning Heater  
Exploded Parts Drawing,  
Revision 0.0

Production Dates: July 2004 -  
June 2014

Serial#: 01001 -10079





Model: Tribute Model #8040

Production Dates: July 2004 - June 2014

Serial #: 01001 - 10079

Note: Specify color for enameled cast iron parts.

Key	Part #	Description
1	2010-410	Bottom Casting
2	2010-490	Top Casting
3	2010-420	Corner Column Casting
4	2010-440	Door Frame
5	2010-430	Primary Air Plenum
6	2010-450	Door
7	<b>90-58405</b>	<b>Glass Kit (Include gasket &amp; hardware)</b>
9	<b>90-73212</b>	<b>Latch Kit</b> Includes: Set Screw (4) Door Latch Spacer Spring Chrome Door Crank Door Latch
11	<b>90-71100</b>	<b>Wood Handle Kit</b>
12	2010-470	Secondary Air Manifold, Top
13	2010-480	Secondary Air Manifold, Bottom
14	5040-050	Secondary Air Riser
15	5040-052	Secondary Air Tube #2 (Front)
16	5040-051	Secondary Air Tube #1(Rear)
17	5040-070	Baffle Support
18	3120-040	Ceramic Baffle
19	5021-025	Primary Air Control Slide
21	1041-430	Front Lower Stone 2 3/4" x 6 15/16"
22	1041-450	Front Upper Stone 2 1/2" x 6 15/16"
23	2010-210	Foot
24	1041-420	Side Stone 8" x 10 3/4"
25	1041-460	Top Side Stone 5 1/2" x 13 1/8"
26	1041-470	Top Center Stone 5.6" x 8"
27	1041-410	Rear Stone 8" x 9 1/2"
28	2010-275	Rear Stone Trim
29	1041-440	Front Side Stone 2 5/8" x 8"
30	2010-285	Flue Collar
31	1-0000-400	Left Bottom Refractory Stone 6 3/8" x 6 3/8"
32	1-0000-100	Right Bottom Refractory Stone 4 3/4" x 6 3/4"
33	5021-020	Primary Air Slider Bracket
34	5040-030	Primary Air Control Handle

50	5210-3070	Threaded Rod 1/4-2x19
51	5210-3060	Threaded Rod 1/4-20x20-1/4
52	5040-080	Tie-Rod Sleeve
53	5000-005	Side Spline
54	5000-023	Rear Spline
<b>NA</b>	<b>90-58400</b>	<b>Gasket Kit</b>
		Includes:
	3110-056	Gasket: Rope, 1/4", BLK, AD
	3110-059	Gasket: Rope, 3/8" Med Den, BLK
	3120-059	Gasket: Glass clip, Black HER 1/TRI
	99-090N	Glue: Gasket, 2 OZ

B2B 11/4/10