



Technical Data Sheet

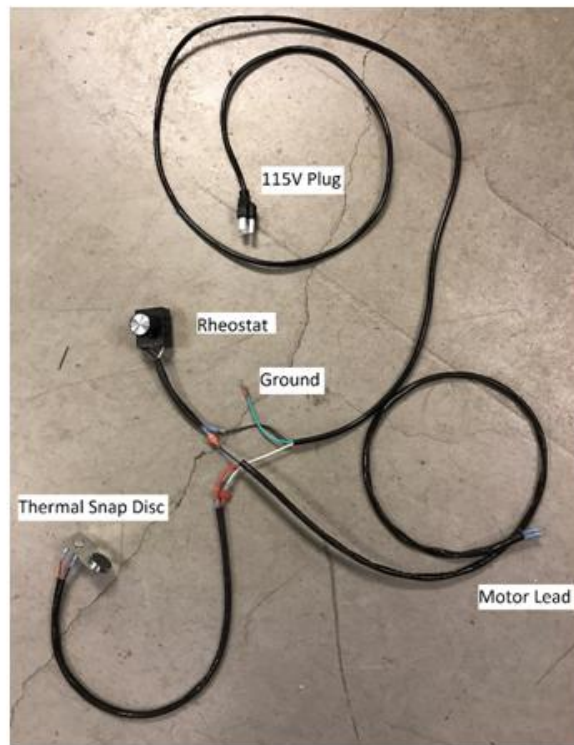
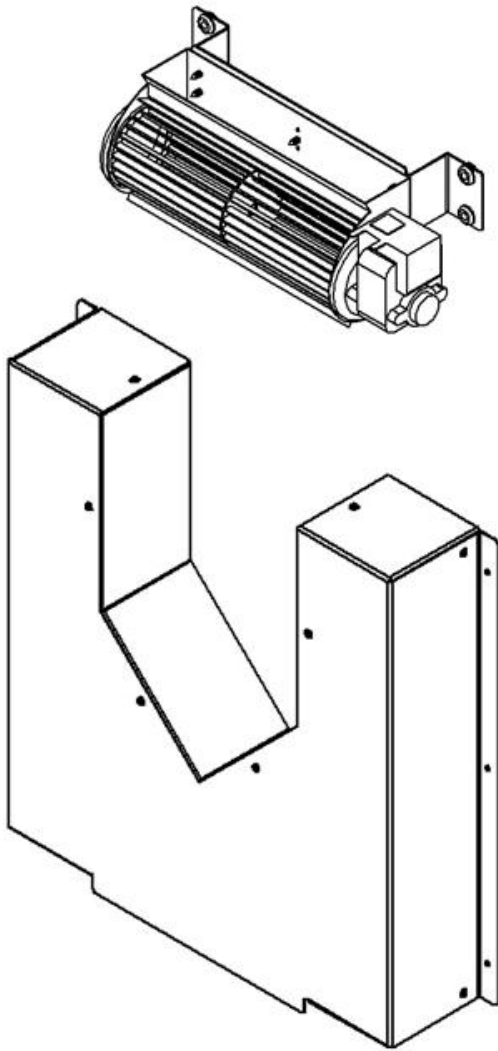
Europa 8970 Variable Speed Blower Kit Installation *Assembly 99-5770*

KIT CONTENTS:

- (1) Blower Assembly
- (1) Blower Wire Harness
- (1) Blower Housing

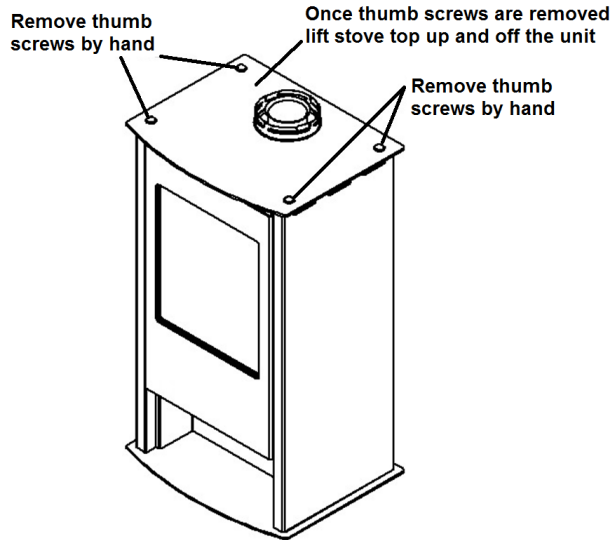
TOOLS REQUIRED:

- #2 Phillips Screwdriver
- 3/8" Wrench
- 7/16" Wrench

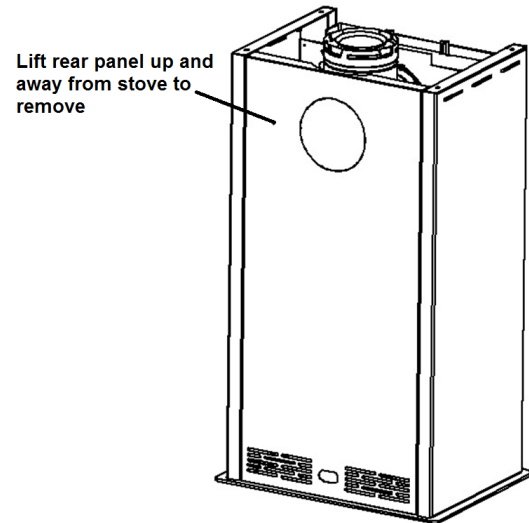


Procedure

Step 1

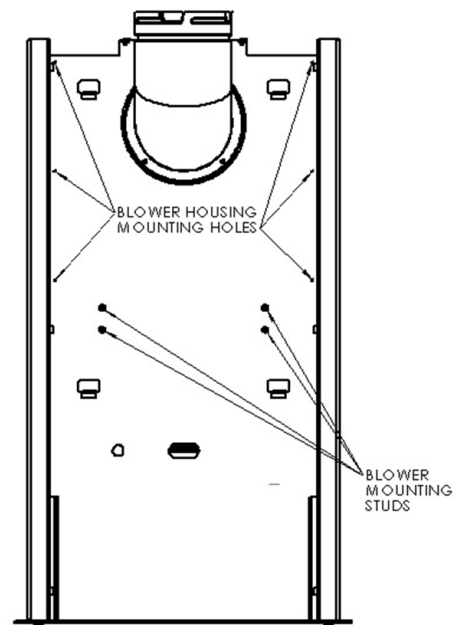
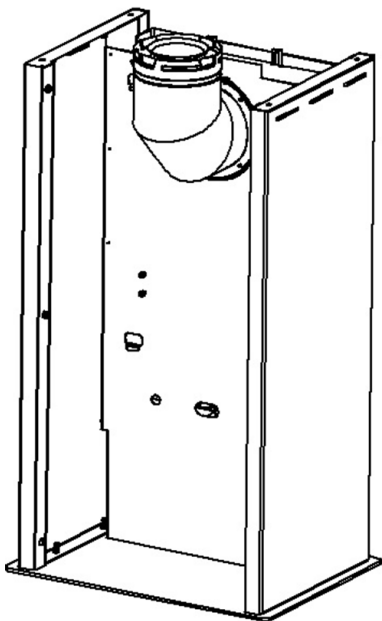


Step 2

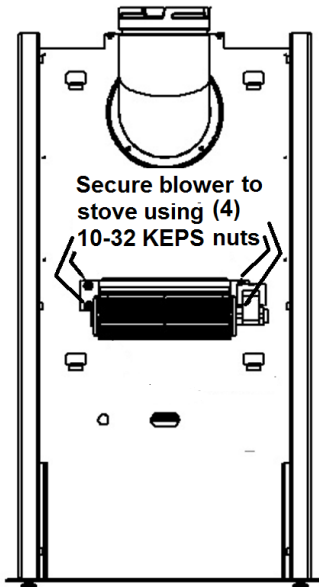


Step 3

With rear panel removed, note the location of the Blower Housing mounting holes and Blower Mountin Studs

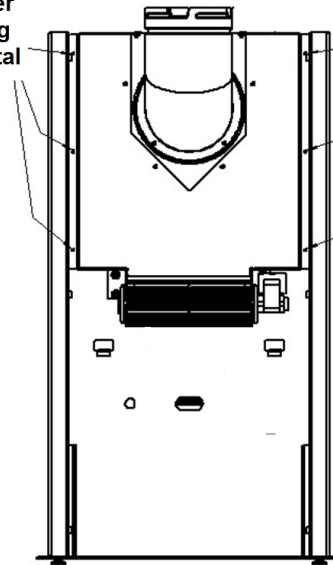


Step 4



Step 5

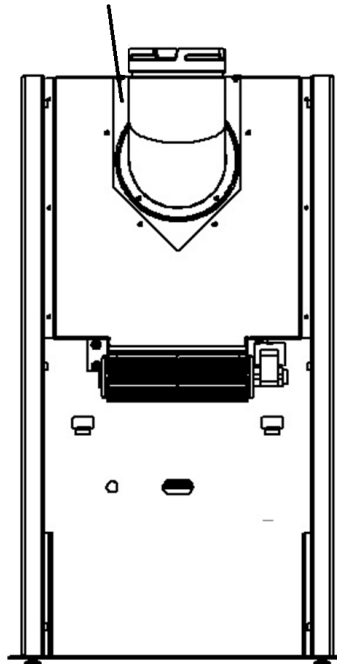
Secure blower housing using #10 sheetmetal screws



Secure blower housing using #10 sheetmetal screws

Step 6

Attach thermal snap disk here

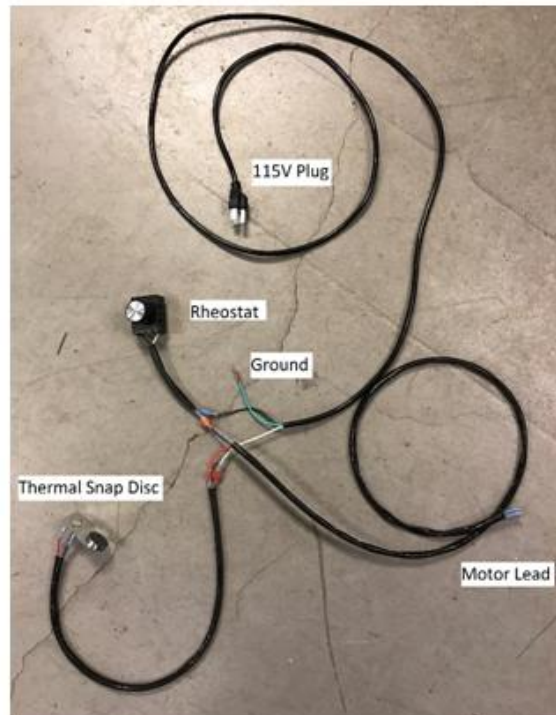
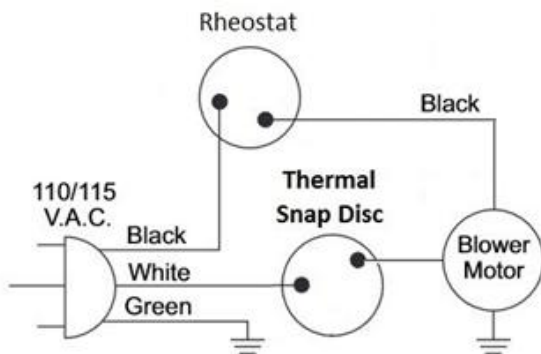


Thermal Snap Disc Location

WARNING

All electrical shall be completed by a licensed Electrician and must conform with local building code. Improper installation may result in property damage, injury, or loss of life.

- Step 7) The Thermal Snap Disc is mounted to a magnetic bracket, attach the snap disc to the stove locating it above the starter collar as shown on page 4.
- Step 8) Connect the (2) ¼" quick disconnects from the motor lead to the motor, polarity does not matter.
- Step 9) Secure the ground wire to the stove chassis.
- Step 10) The upper left corner of the rear panel has a 3/8" diameter knockout for the Rheostat, using the rheostat nut provided, secure the rheostat to the rear panel, install the knob.
- Step 11) Pass the power cord through the oblong hole at the base of the rear panel.
- Step 12) Reassemble the Stove and connect power.



NOTE: Once the electrical wiring has been completed, test the system to be sure its performance is as desired before the finishing work is completed and the fireplace is enclosed.



Operation

- 1) The Thermal Snap Disc prevents the blower from running on when the stove is cold. Once the stove is up to temperature, the Thermal Snap Disc will allow the blower to be turned on.
- 2) Turn the knob clockwise to start the blower (once the stove is up to temperature). The variable speed blower can be adjusted by adjusting the position of the knob.
- 3) Once the desired speed has been set, you can leave the knob in this position and the Thermal Snap Disc will cycle the blower on and off as the temperature of the stove reaches operating temperature during normal operation.
- 4) When the stove is turned off, the blower will keep running until the stove cools.
- 5) To turn off the blower turn the knob counterclockwise until the knob clicks indicating it is in the off position.