



Technical Data Sheet

DVI Ht 8890 Willoughby & Maidstone Façade & Surround Install

Kit Numbers: 98-5190210, 98-5190410, 98-5990010, and 98-5990110*

Publish Date: 8/26/2005

Parts included in assembly:

| Qty: | Item Number: | Description: | Material: |
|-------------|---------------------|---------------------------------|------------------|
| 1 | 2810-977/987 | SURROUND CORNER LEFT (Sm./Lg.) | Cast |
| 1 | 2810-979/989 | SURROUND CORNER RIGHT (Sm./Lg.) | Cast |
| 3 | 2810-975/985 | SURROUND STRAIGHT (Sm./Lg.) | Cast |
| 1 | 2810-960 | ARCH FAÇADE | Cast |
| 1 | 2810-962 | MAIDSTONE FAÇADE VALVE DOOR | Cast |
| 1 | 2810-964 | MAIDSTONE FAÇADE FRAME | Cast |
| 1 | 2810-965 | WILLOUGHBY FAÇADE VALVE DOOR | Cast |
| 1 | 2810-967 | WILLOUGHBY FAÇADE FRAME | Cast |
| 2 | 5890-230 | SURROUND BRACKET | Steel |
| 1 | 5890-250/252 | STONE RETAINER, LEFT (Sm./Lg.) | Steel |
| 1 | 5890-255/262 | STONE RETAINER, RIGHT (Sm./Lg.) | Steel |
| 1 | 5890-260/257 | STONE RETAINER, TOP (Sm./Lg.) | Steel |

Tools Required:

Cross-tip Screwdriver

Appliance Blanket, Tarp, or Similar Protective Surfacing

Note:

*The Kit numbers and cast part numbers listed above are for black matte finish pieces. Check with your dealer for specific enamel finish part numbers. Assembly procedure is identical for all finishes.

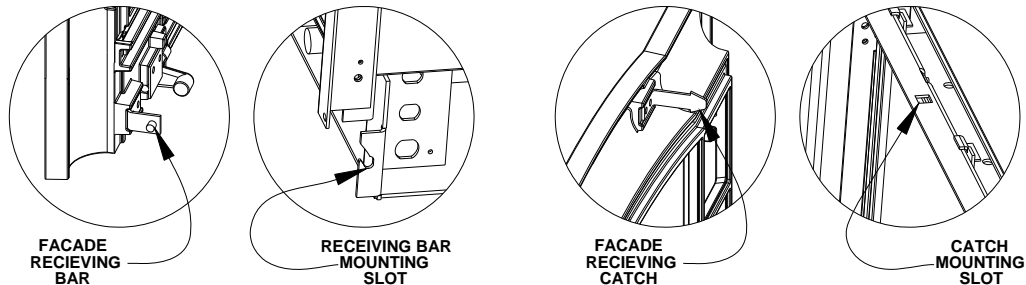
Hardware Included:

Qty: Description:

4 # 8-32 x 3/8" Steel Screws

Procedure:

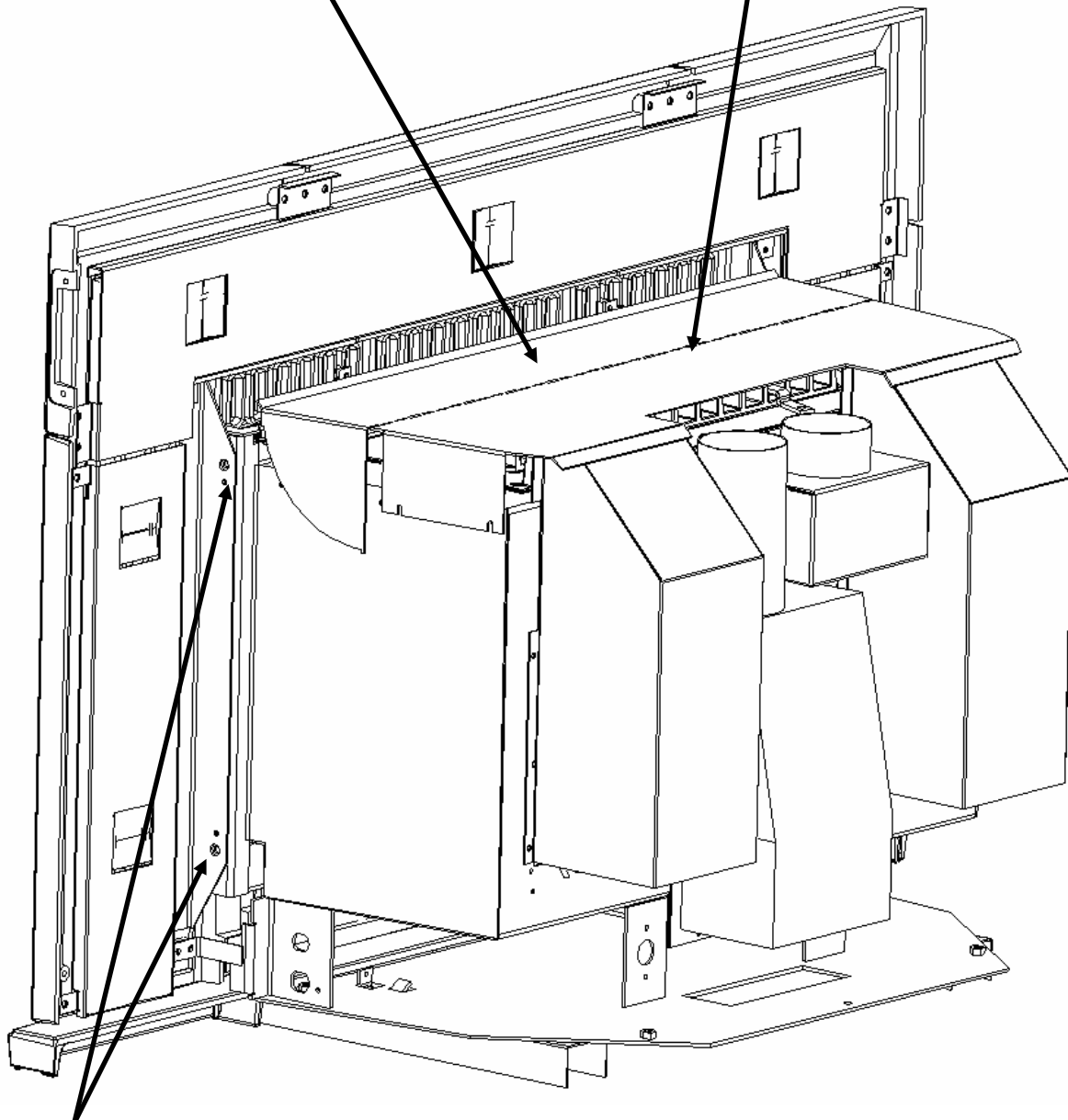
1. Protect a work area on the floor with an appliance blanket, tarp, or other protective material. This will prevent damage to the floor and protect enameled pieces from chipping and scratches.
2. Remove both of the cast corners from the Top assembly and insert the cast or stone panels into the Stone Retainers with the finished side facing out. The longer panels go in the Top Retainer, 3x (be sure to insert the outer pieces from their respective sides to avoid scratches) and the shorter pieces go in the side Retainers, 2x/each.
3. Install the cast corners removed in step #2.
4. Lay the Surround assemblies (Left Side, Right Side, and Top) facedown on your work surface, arranged as illustrated in the "Rear View". Remove the four screws on the Top assembly that align with the side assembly.
5. Align and install the four screws removed in Step #4 (See "Rear View" illustrations for proper placement).
6. Before attaching the surround to the firebox, remove the glass from the insert. To remove the glass, pry up the four retaining clips. Lift the glass and frame up and off of the firebox. This will give you enough room to install the Surround assembly.
7. Lift the completed Surround assembly and position it in front of the firebox. Locate the switch plate assembly and attach it to the right side panel with two #10-24 (black oxide) screws in place.
8. Align the screw holes in the side of the insert with the screw holes in the Surround Brackets on the Surround assembly. Work on one side of the assembly at a time. Lift one side up slightly to line up the holes. There are four screw holes on each side, two large and two small. The #8-32 x 3/8" screws will need to be inserted into the smaller holes, leaving the larger holes open for the optional accessory screen. Repeat on the opposite side.
9. Reinstall the glass at this time by lining up the slots on the glass with the retaining tabs on the firebox and secure by pushing the tabs down into the frame slots.
10. If installing the optional Screen, do so now by following the instructions that come with the screen.
11. Attach the Façade (front assembly) by lining up the two receiving bars located on the bottom of the Façade with the two hook shaped slots on the bottom of the DVI-Ht Insert. Drop the bars into the slots and push the Façade toward the firebox until it "clicks" and locks into place (see illustration below).



12. Install the Valve Door assembly by placing the hinge bars into the receiving slots on the Façade and rotate up until the magnet catches.
13. Adjust the Top Shroud to maximize the blower output. (See illustration)

Adjust Top Shroud, by bending at the perforations, to the maximum height the fireplace will allow.

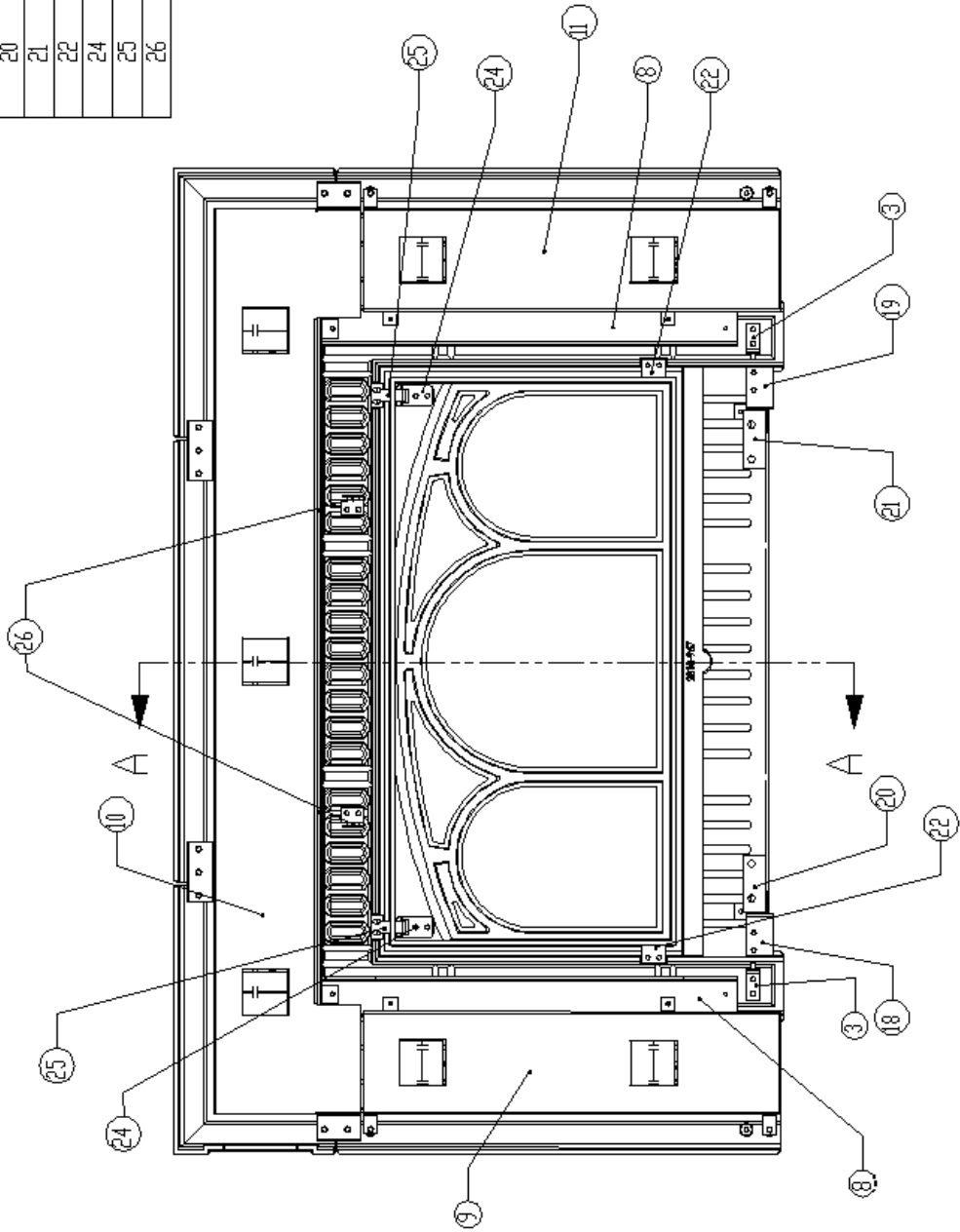
Perforations



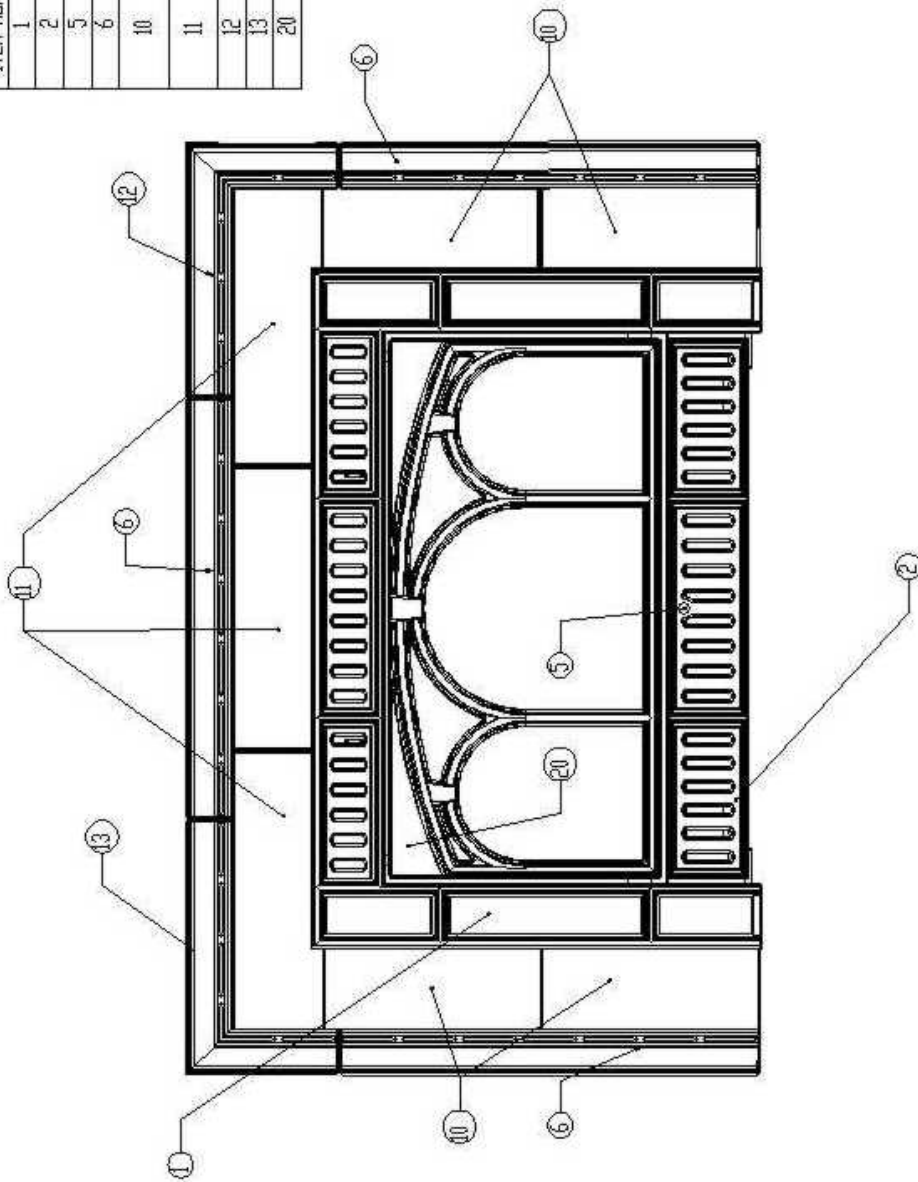
Two #8-32 screws per side.

Rear View Illustration

| ITEM NO. | PART NUMBER | QTY. |
|----------|-------------|------|
| 3 | 5890-210 | 2 |
| 8 | 5890-230 | 2 |
| 9 | 5890-255 | 1 |
| 10 | 5890-260 | 1 |
| 11 | 5890-250 | 1 |
| 18 | 5890-225 | 1 |
| 19 | 5890-220 | 1 |
| 20 | 5850-027 | 1 |
| 21 | 5850-025 | 1 |
| 22 | 5890-235 | 2 |
| 24 | 5890-240 | 2 |
| 25 | 5890-245 | 2 |
| 26 | 5890-215 | 2 |



| ITEM NO. | PART NUMBER | QTY. |
|----------|-----------------------------|------|
| 1 | 2810-967 | 1 |
| 2 | 2810-965 | 1 |
| 5 | 5120-001 | 1 |
| 6 | 2810-975 | 3 |
| 10 | 2810-972 (1841-900 (Stone)) | 4 |
| 11 | 2810-974 (1841-901 Stone) | 3 |
| 12 | 2810-979 | 1 |
| 13 | 2810-977 | 1 |
| 20 | 2810-960 | 1 |



Front View Illustration