

Technical Data Sheet

Installation of the Silhouette Surround Assembly (Large #98-5972110/Small #98-5972010) and Façade (#98-5172010)

Date: May 13, 2002

Page: 1 of 6

Re: DVI 32 *Fireplace Insert* (Model 8870)

Tools Required:

Phillips Screwdriver

Before You Begin:

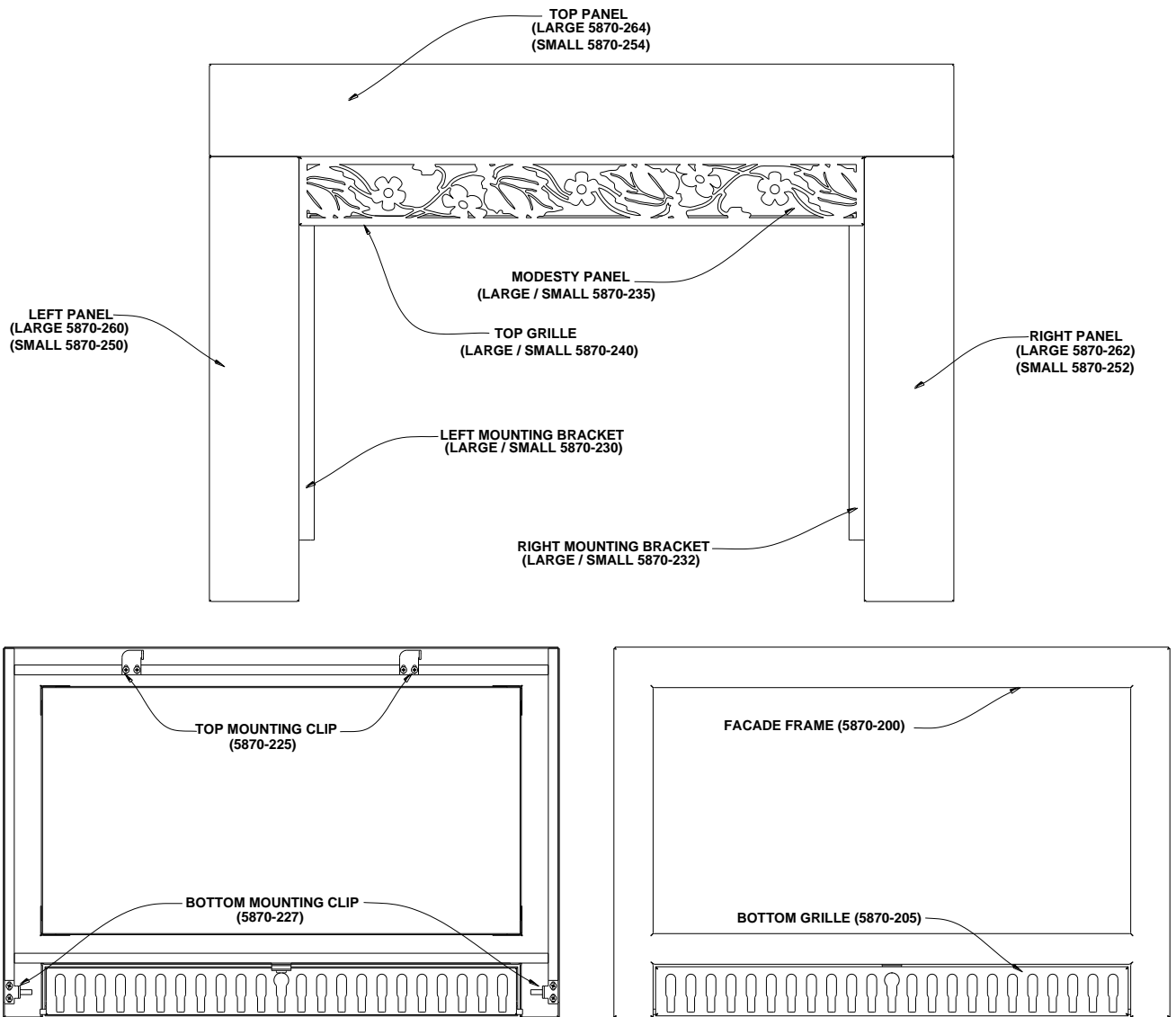
The venting, gas connection, and electrical connections (explained in the DVI-32 owner's manual) should be made before proceeding with the following instructions. This procedure is used for either the large or small surrounds. Identify the necessary components as follows (to help identify the pieces, see illustration):

Surround Components

<u>Qty:</u>	<u>Description:</u>	<u>Item Number:</u>	<u>Material:</u>
1	Left Panel	Large: 5870-260/Small: 5870-250	Steel
1	Right Panel	Large: 5870-262/Small: 5870-252	Steel
1	Top Panel	Large: 5870-264/Small: 5870-254	Steel
1	Modesty Panel	Fits Large or Small: 5870-235	Steel
1	Left Mounting Bracket	Fits Large or Small: 5870-230	Steel
1	Right Mounting Bracket	Fits Large or Small: 5870-232	Steel
1	Top Grille	Fits Large or Small: 5870-240	Steel

Façade Components

<u>Qty:</u>	<u>Description:</u>	<u>Item Number:</u>	<u>Material:</u>
2	Bottom Mounting Clip	Fits Large or Small: 5870-225	Steel
2	Top Mounting Clip	Fits Large or Small: 5870-227	Steel
1	Façade Frame	Fits Large or Small: 5870-200	Steel
1	Bottom Grille	Fits Large or Small: 5870-205	Steel



Note:

You have received the surround fully assembled. The front façade will require mounting of the top and bottom mounting clips. The illustration above should be used as a reference for part verification.

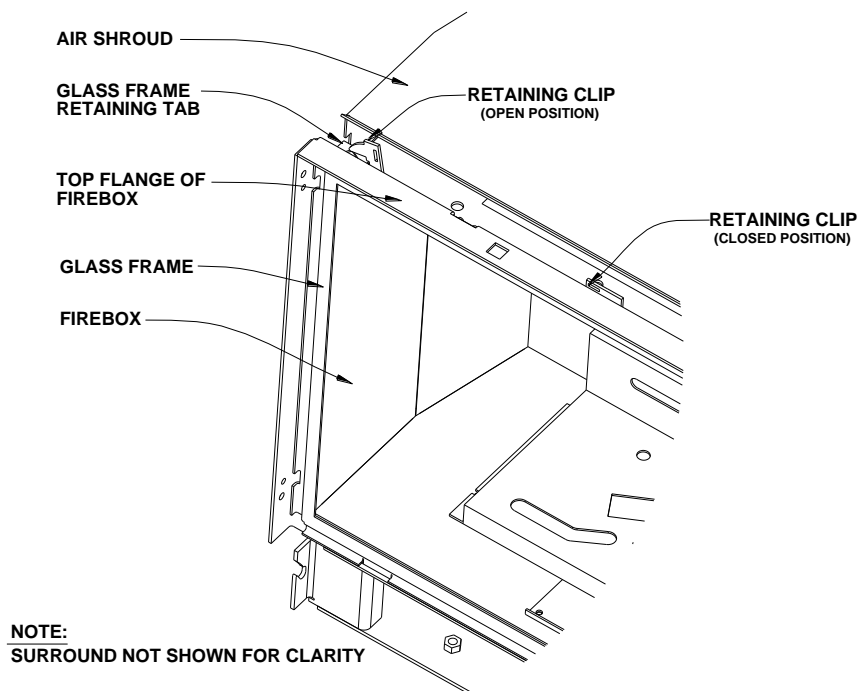
Hardware Included:

Qty: Description:

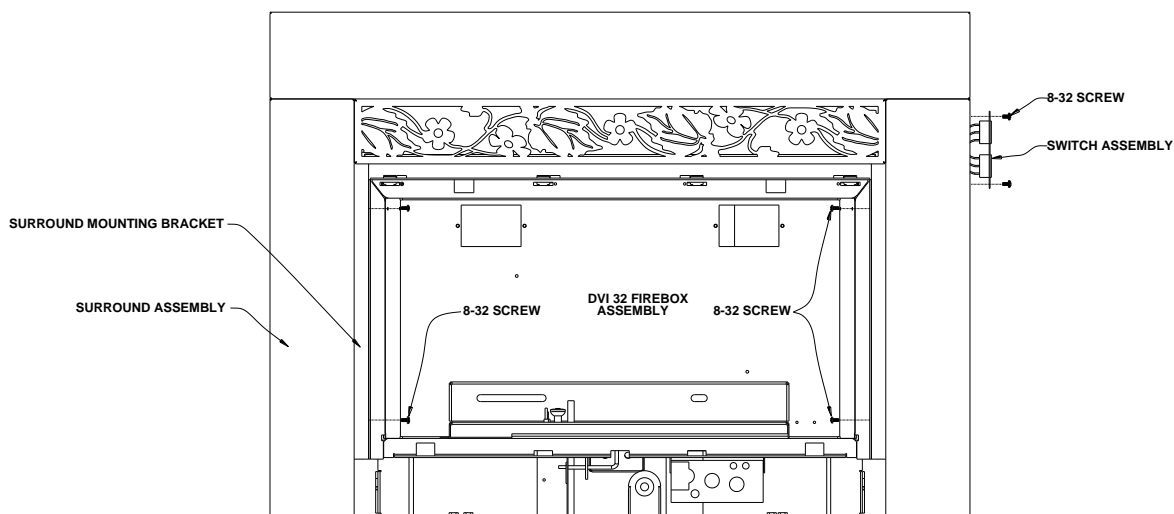
14 8-32 x 3/8" Black Oxide Screws

Procedure:

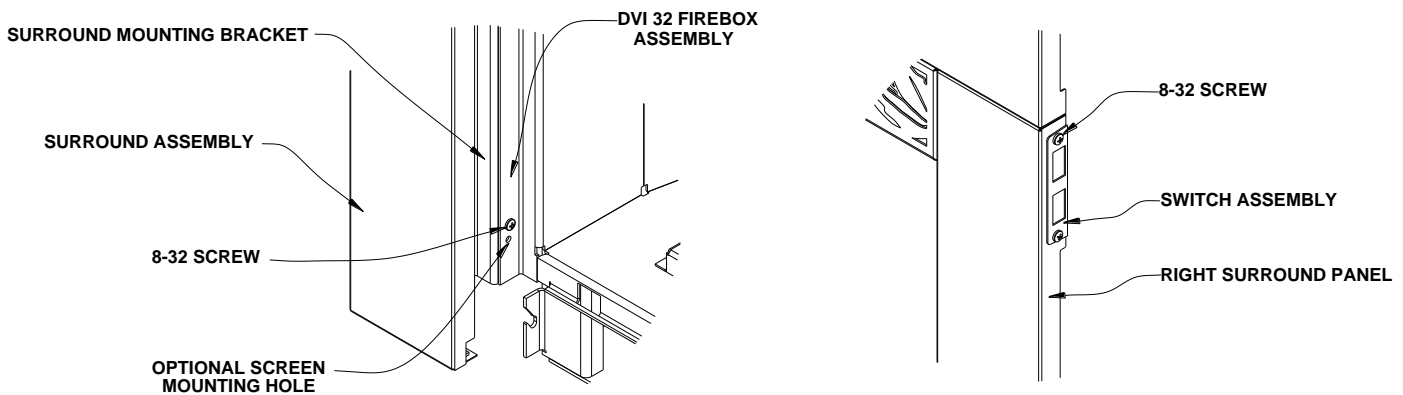
1. Before attaching the assembly, remove the glass from the insert. To remove the glass, pry up the four retaining clips. Tilt the glass and frame toward you and then lift the glass and frame up and off of the firebox. This will give you enough room to install the Surround assembly.



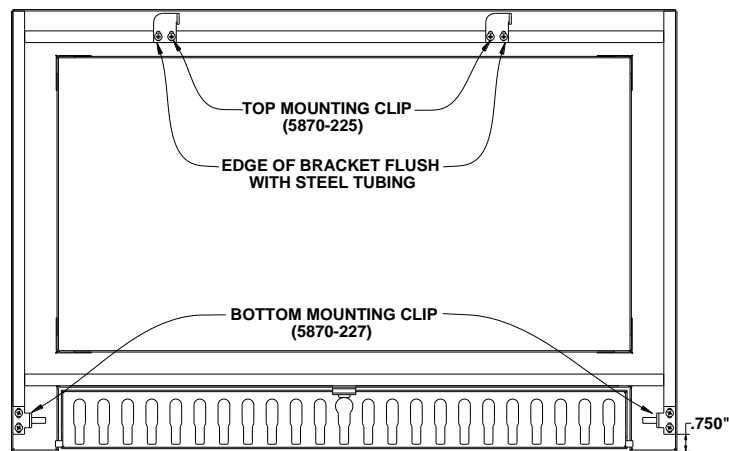
2. Lift the completed Surround assembly and position it in front of the firebox. Locate the switch plate assembly and attach it to the right side panel with two 8-32 (black oxide) screws.



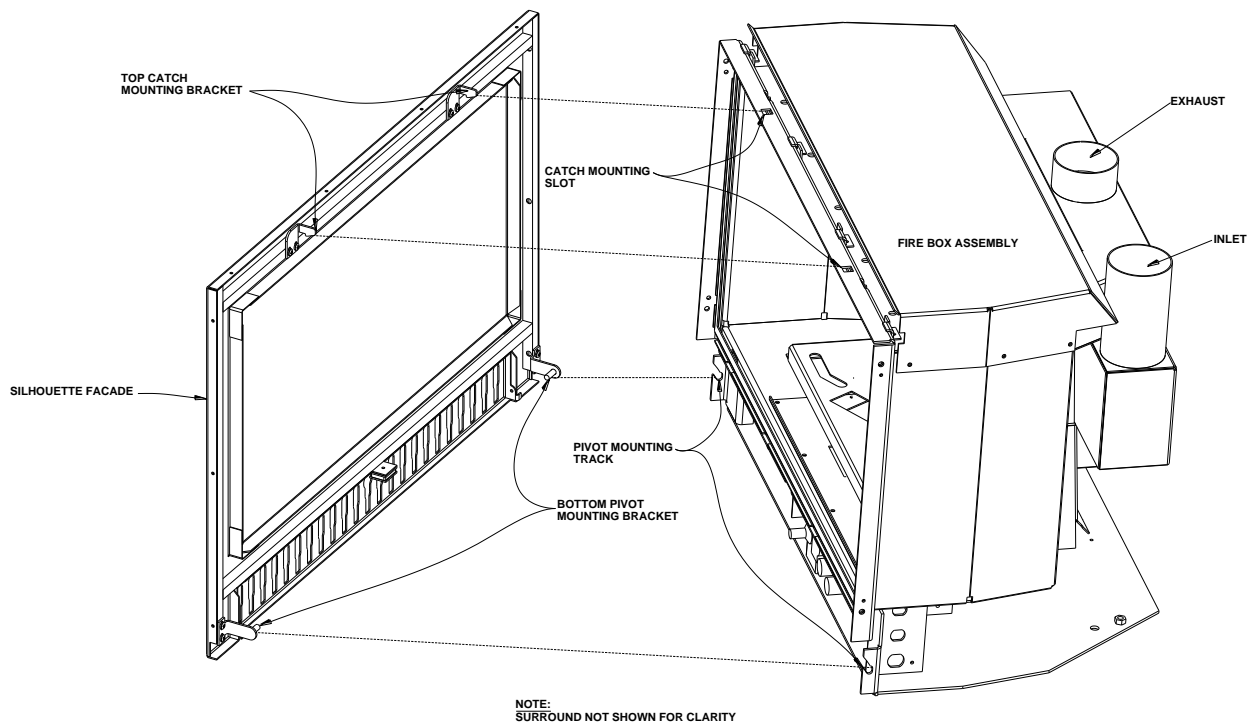
3. Align the screw holes in the side of the insert with the screw holes in the L-Shaped Brackets on the Surround assembly. Work on one side of the assembly at a time. Lift one side up slightly to line up the holes. There are four screw holes on each side, two large and two small. The 8-32 screws will need to be inserted into the smaller holes, leaving the larger holes open for the optional accessory screen. Repeat on the opposite side.



4. Reinstall the glass at this time by lining up the slots on the glass with the retaining tabs on the firebox and secure by pushing the tabs down into the frame slots.
5. If installing the optional Screen, do so now by following the instructions that come with the screen.
6. If you are installing the optional trim kits, (brushed gold kit #98-51721 or brushed nickel kit #98-51722) please refer the installation instructions provided with the kits. Once the trim kits have been installed or if you are not using a trim kit continue on with step 7.
7. Attach the top and bottom mounting clips to the front façade using the 8-32 screws provided. Locate the mounts to the dimensions shown in the illustration.



- Attach the Silhouette Façade by lining up the two receiving bars located on the bottom of the Façade with the two hook shaped slots on the bottom of the DVI 32 Insert. Drop the bars into the slots and push the Façade toward the firebox until it “clicks” and locks into place (see illustration).



9. The façade may need to be adjusted to achieve equal spacing with the surround. If this is the case, remove the façade and loosen the screws, which hold the mounting brackets to the façade. Adjust the brackets to the desired location and tighten the mounting screws. Follow this procedure until the façade sits square in the surround.

10. The installation is now complete.