

Technical Data Sheet

DVI-Ht 8890 Killington Facade & Surround Assembly Installation

Kits 98-5190010 & 98-5970010¹ or 98-5970110²*

Publish Date: 12/30/2002

Tools Required:

Phillips Screwdriver

Appliance Blanket, Tarp, or Similar Protective Surfacing

Before You Begin:

Ensure the venting, gas connection, and electrical connections are made before proceeding with the following instructions. This procedure is used for either the large or small surrounds. Identify the necessary components as follows (to help identify the pieces, see illustration):

Qty:	Description:	Item Number:	Material:
1	Left Panel	Large: 2810-782/Small: 2810-772	Cast Iron
1	Right Panel	Large: 2810-784/Small: 2810-774	Cast Iron
1	Top Panel	Large: 2810-786/Small: 2810-776	Cast Iron
1	Modesty Panel	Fits Large or Small: 5870-110	Steel
2	Panel Clips	Fits Large or Small: 5870-150	Steel
2	Grill Clips	Fits Large or Small: 5870-130	Steel
2	L-Brackets	Fits Large or Small: 5870-100	Steel
1	Façade Grill	Fits Large or Small: 2810-40	Cast Iron
1	Façade Kit	98-51900xx	Cast Iron

Note:

The cast iron numbers listed above are for black matte finished pieces. Substitute the following prefixes for enamel colors: Brown = 2820, and 2859 = Blue/Black. For the Façade Kit, substitute the following numbers for the xx in the kit number: 10 = Matte, 20 = Brown, 59 = Blue/Black. Assembly procedure is identical for all finish colors.

Hardware Included:

Qty: Description:

17- 10-24 x 3/8", Black Oxide Screws

4- 8-32 x 3/8", Steel Screws

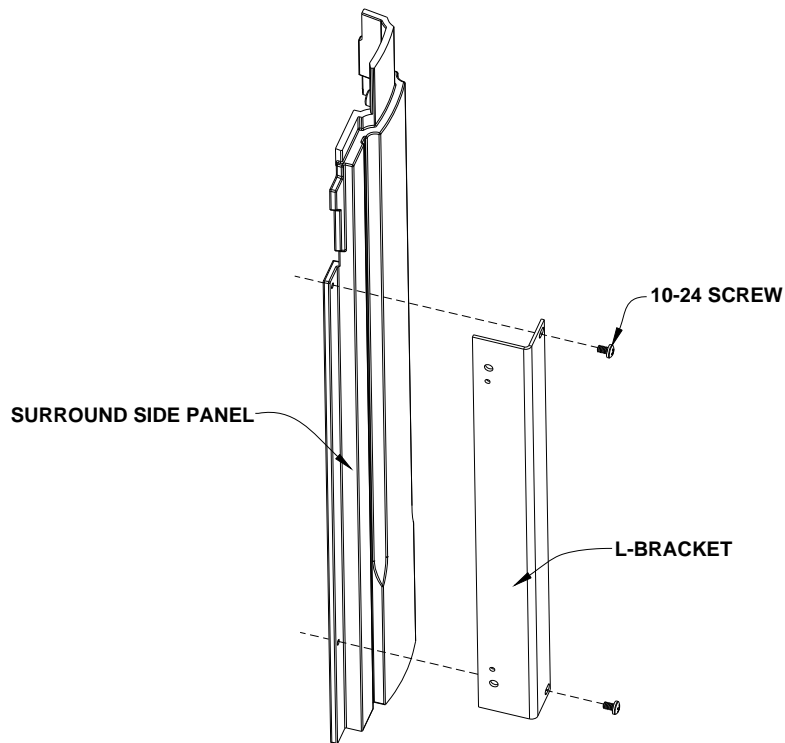
* Matte Façade Kit

¹ Small Matte Surround

² Large Matte Surround

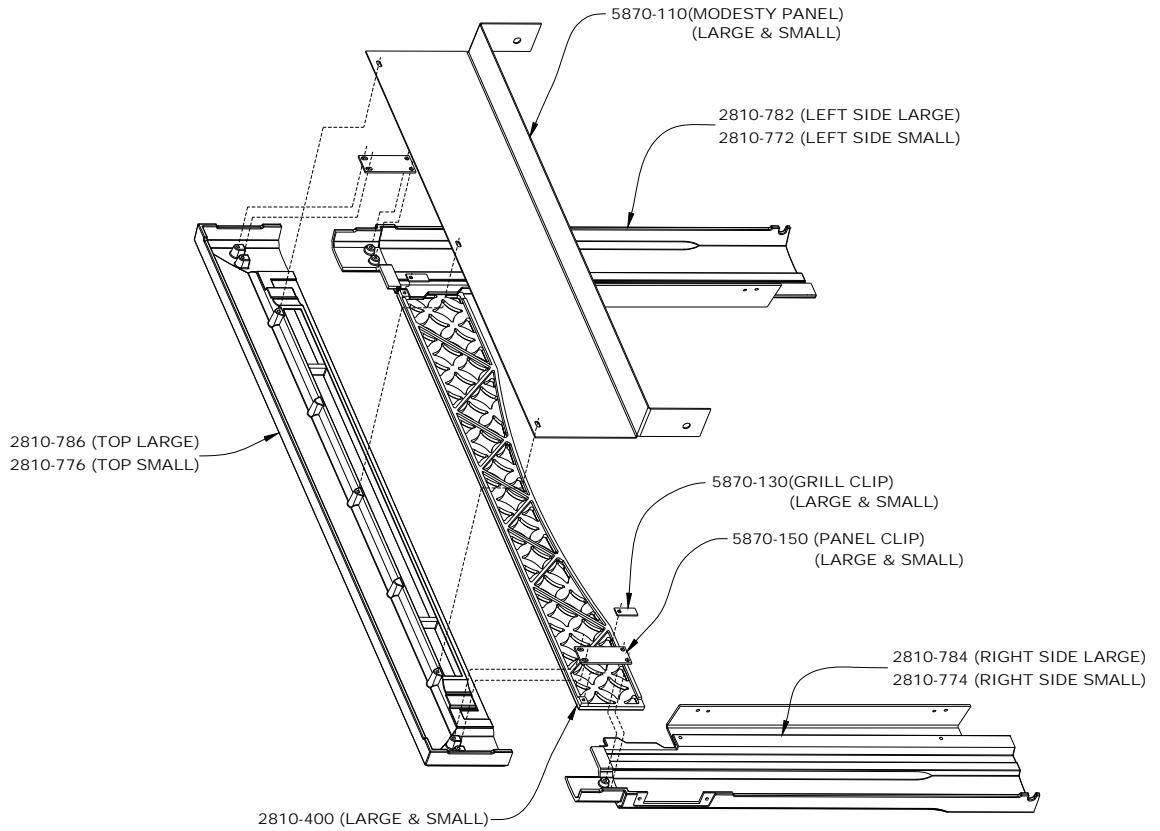
Procedure:

1. Attach the L-Shaped Brackets to the Left and Right Side Panels using two of the 10-24 screws for each bracket. Do not tighten these screws at this time.

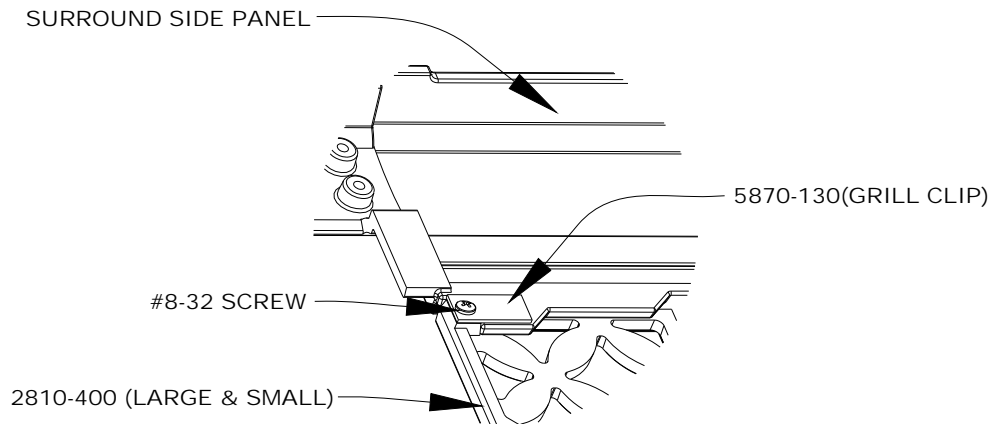


2. Protect a work area on the floor with an appliance blanket, tarp, or other protective material. This will prevent damage to the floor and protect enameled pieces from chipping.

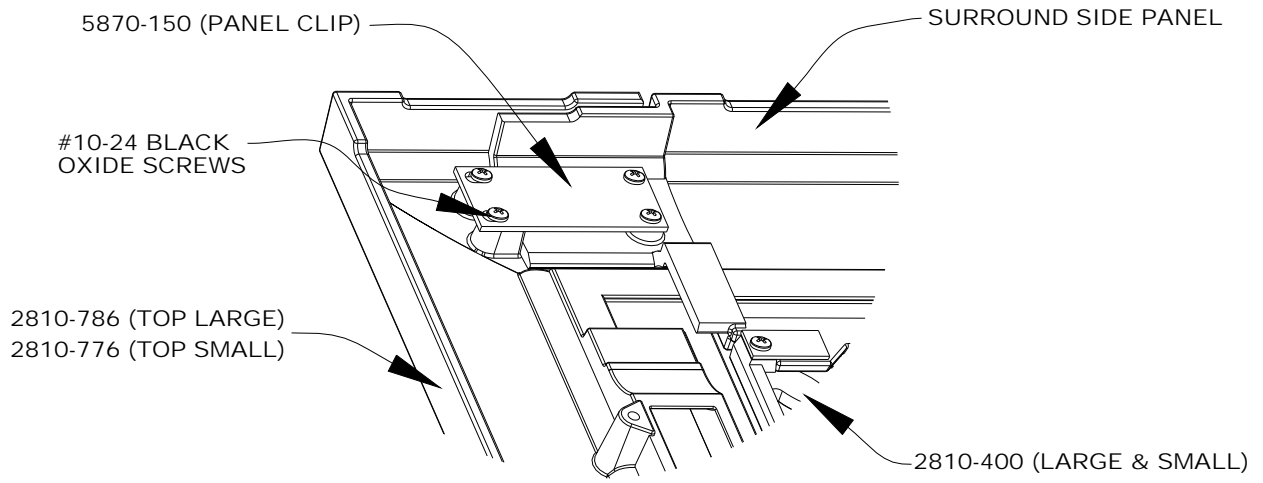
- Before assembling the surround, lay the Top Panel, Right Panel, Left Panel, and Façade Grill face-down on the protected floor (see illustration for proper placement).



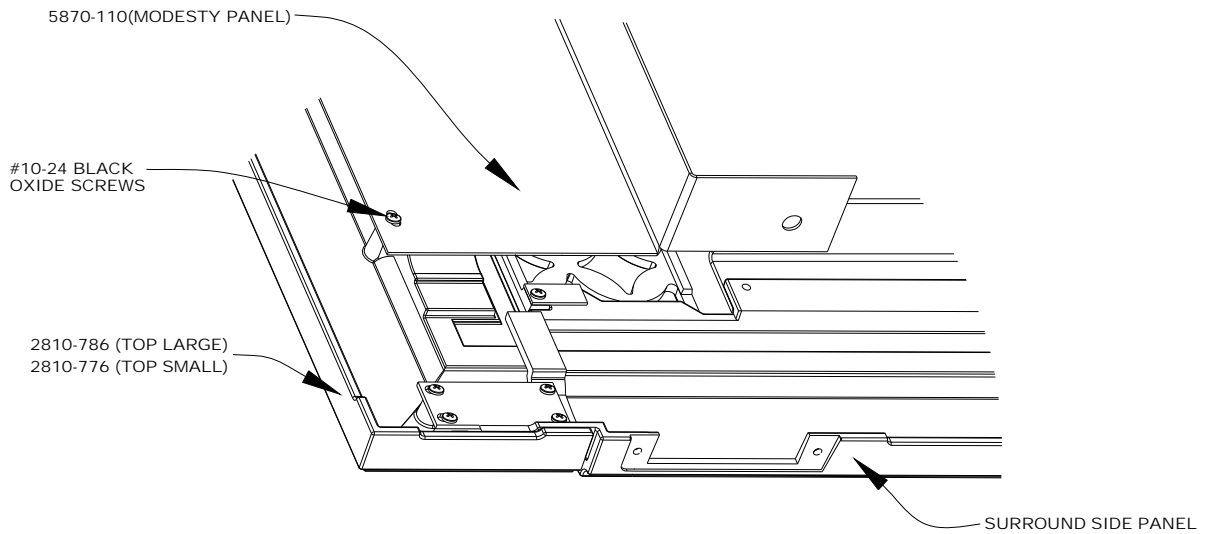
- Use the two steel Grill Clips (steel clips with one hole each) to secure the Façade Grill to the Side Panels. Align the holes in the Grill Façade with the holes in the Grill Clips. The Grill Clips will overlap the Side Panels. While aligning the Façade Grill to a position level to the Side Panels, insert and tighten two 8-32 screws through the clips and into the Façade Grill. See illustration for details.



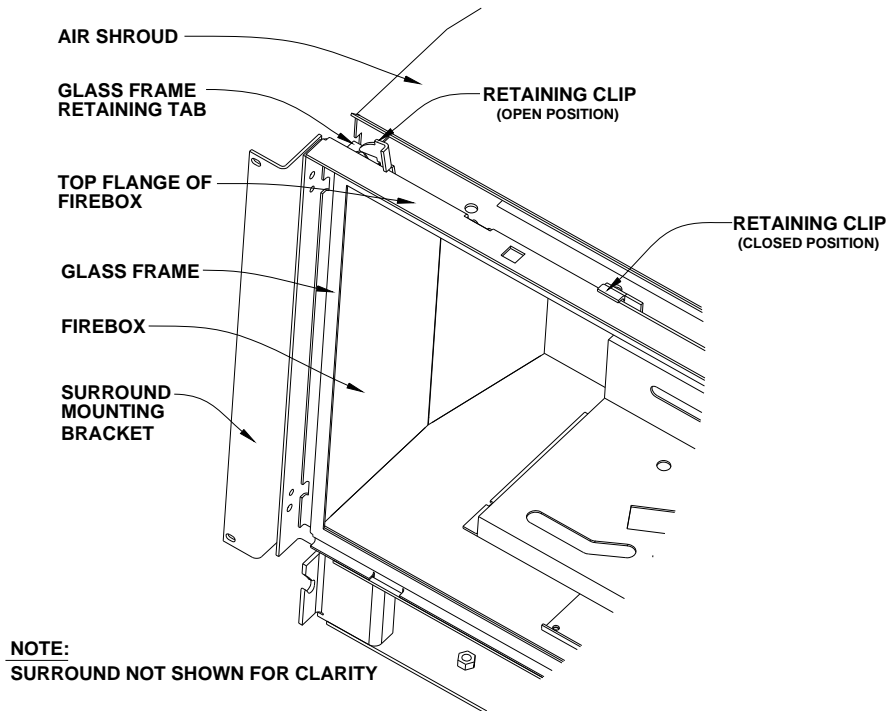
5. Attach the Top Panel to the Side Panels by placing the two Panels Clips (steel clips with four holes) on the Top and Side Panels so the four holes in the Clips line up with the holes on the Top and Side Surrounds. Secure with eight 10-24 (black oxide) screws. See illustration for details.



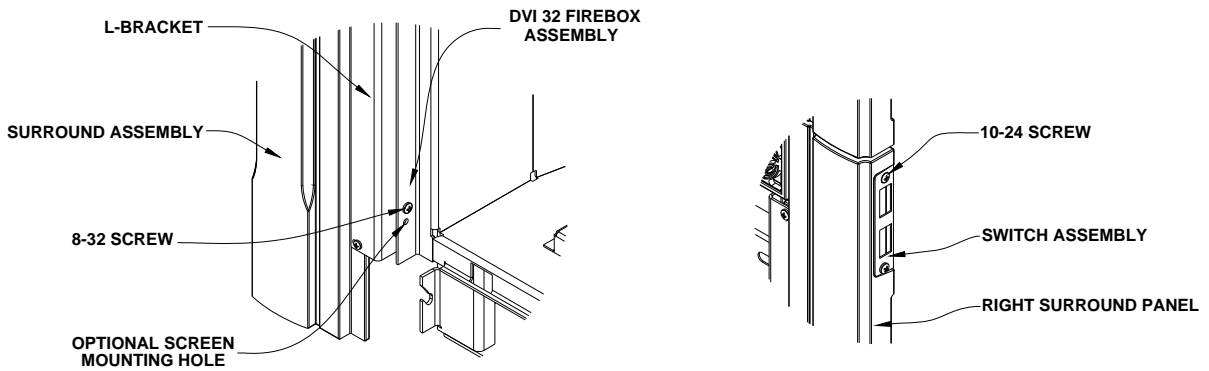
6. Lay the Modesty Panel onto the assembly with the flat side down. Line up the holes in the Modesty Panel with the preexisting holes in the Top Panel. Before attaching the Modesty Panel, ensure the flanges of the Modesty Panel are placed on the outside of the L-Shaped Brackets. Secure it with three 10-24 (black oxide) screws. Some Modesty Panels have five holes; it is only necessary to use three of the screws to mount the Modesty Panel.



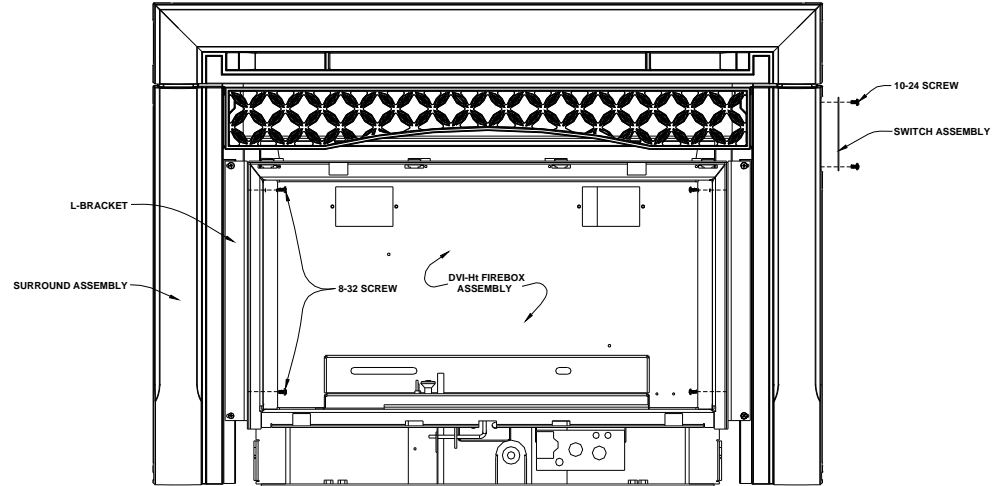
- Before attaching the assembly, remove the glass from the insert. To remove the glass, pry up the four retaining clips. Lift the glass and frame up and off of the firebox. This will give you enough room to install the Surround assembly.



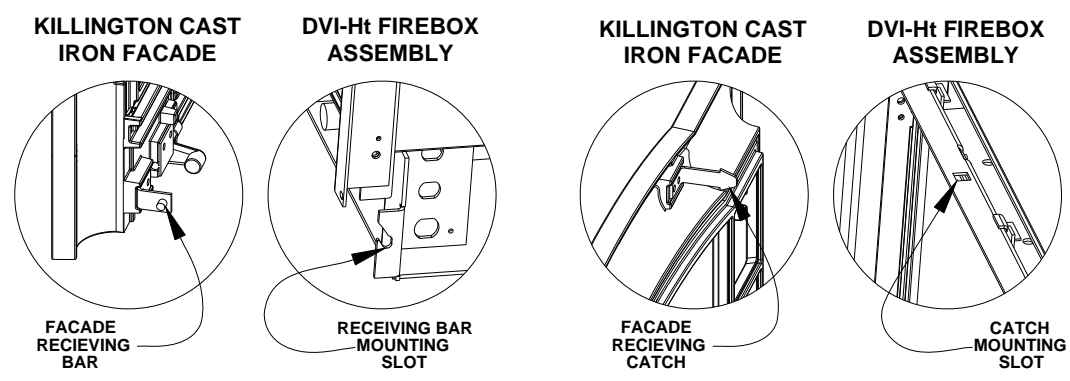
- Lift the completed Surround assembly and position it in front of the firebox. Locate the switch plate assembly and attach it to the right side panel with two 10-24 (black oxide) screws.



- Align the screw holes in the side of the insert with the screw holes in the L-Shaped Brackets on the Surround assembly. Work on one side of the assembly at a time. Lift one side up slightly to line up the holes. There are four screw holes on each side, two large and two small. The 8-32 screws will need to be inserted into the smaller holes, leaving the larger holes open for the optional accessory screen. Repeat on the opposite side.



- Align and square the Surround assembly then tighten the screws in the L-Shaped brackets (left loose in step one) to complete the assembly.
- Reinstall the glass at this time by lining up the slots on the glass with the retaining tabs and on the firebox and secure by pushing the tabs down into the frame slots.
- If installing the optional Screen, do so now by following the instructions that come with the screen.
- Attach the Killington Façade (front door assembly) by lining up the two receiving bars located on the bottom of the Façade with the two hook shaped slots on the bottom of the DVI-Ht Insert. Drop the bars into the slots and push the Façade toward the firebox until it “clicks” and locks into place (see illustration).



14. Adjust the Top Shroud and Modesty Panel to maximize the blower output. (see illustration)

