

Technical Data Sheet

Installation of the Silhouette Facade Trim Kit (Brushed Gold #98-51721 or Brushed Nickel #98-51722)

Date: May 13, 2002

Page: 1 of 3

Re: DVI 32 *Fireplace Insert* (Model 8870)

Tools Required:

Phillips Screwdriver
 Rivet Gun

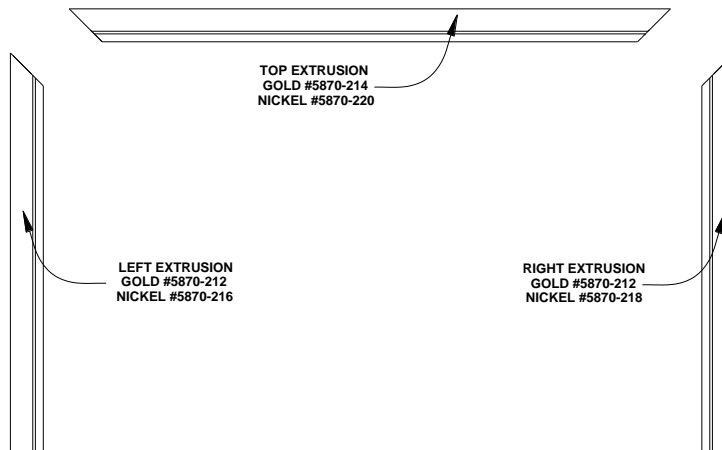
.130" Drill bit
 Drill

Before You Begin:

The venting, gas connection, and electrical connections (explained in the DVI-32 owner's manual) should be made before proceeding with the following instructions. This procedure is used for either the large or small surrounds. Identify the necessary components as follows (to help identify the pieces, see illustration):

Trim Kit Components

<u>Qty:</u>	<u>Description:</u>	<u>Item Number:</u>	<u>Material:</u>
1	Left Extrusion	Gold: 5870-210/Nickel: 5870-216	Aluminum
1	Right Extrusion	Gold: 5870-212/Nickel: 5870-218	Aluminum
1	Top Extrusion	Gold: 5870-214/Nickel: 5870-220	Aluminum



Note:

Refer to the “Silhouette Surround and Façade Installation instructions” for instructions on the installation and removal of the Silhouette Façade.

Hardware Included:

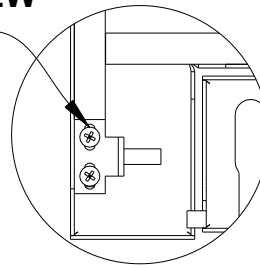
Qty: Description:

10 1/8 x 1/8” Stainless Steel Rivet

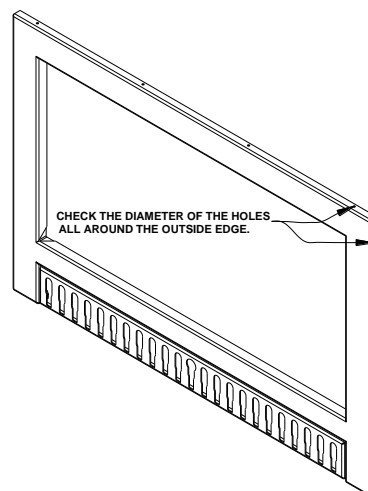
Procedure:

1. Lift up slightly on the façade and pull toward yourself to remove it from the unit.
2. Remove the upper screw that holds the bottom mount in place.

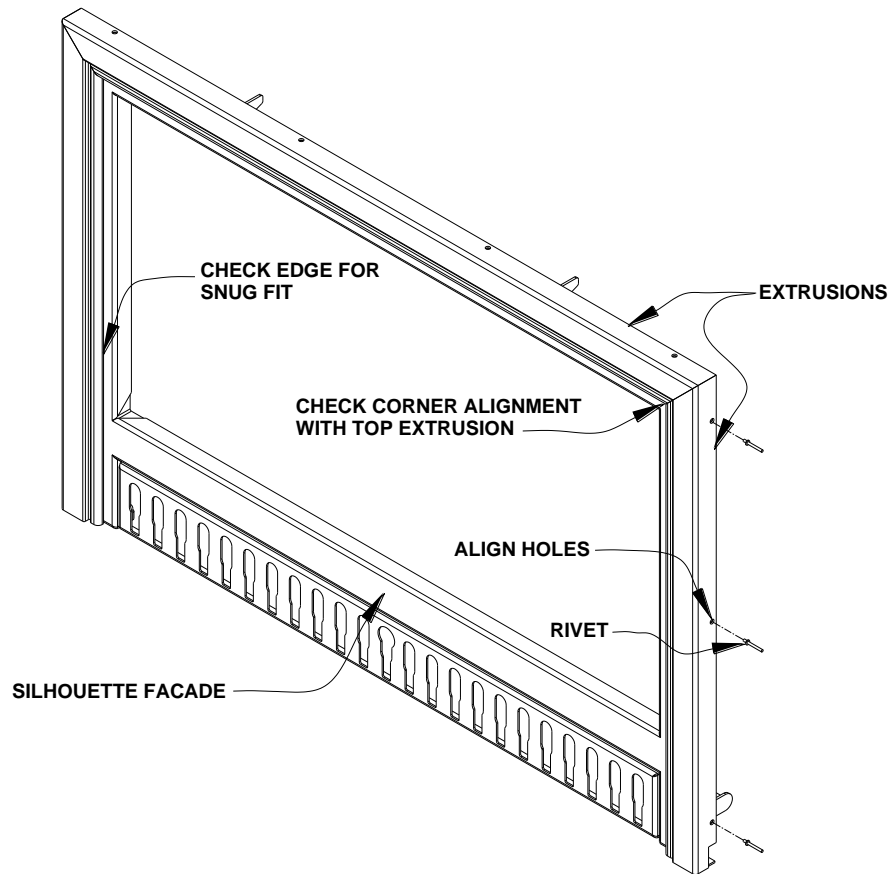
**REMOVE THIS SCREW
ON BOTH SIDES**



3. Check all the holes around the outside of the façade for the correct size. During powder coating the holes could become filled with material and the diameter maybe too small to accept the rivet. If the hole diameter is incorrect drill out the excess material with a .130” drill bit.



4. Attach the right extrusion. Align the (3) holes in the right extrusion with the (3) holes on the right side of the façade. Be sure the extrusion edges are fitting tightly against the façade and rivet the two pieces together. **NOTE:** It is recommended that the top extrusion be held in it's location while fastening the right extrusion to ensure correct alignment in the corners.



5. Repeat step 4 for the top and left side extrusion attachment. Pay close attention to the corner alignment and trim to façade fit up.
6. Re-install the bottom mount upper screws.
7. Install the façade on the unit. Refer to the "Surround and Façade installation instructions" for instructions.

