



TECHNICAL DATA SHEET

KIT # 97-57020

Tucson Direct Vent Model 8700 & B-Vent Model 8720 OPTIONAL ON/OFF SWITCH INSTALLATION INSTRUCTIONS

TOOLS REQUIRED

Adjustable Wrench
Phillips Screwdriver

KIT COMPONENTS

1-Terminal Block
1-Mounting Plate for Terminal Block
1-Switch Box
1-Wire Harness (1 harness w/3 wires)
1-1/4-20 x3/8 Pan Head Phillips Screw
2-8-32x3/8 Philips Pan Head Tap Screws
1-Instruction Sheet

CAUTION: The gas supply shall be shut off prior to disconnecting the electrical power, before proceeding with the modification.

NOTE: SOME TUCSON DV & BV STOVES DO NOT HAVE THE HOLE IN THE TOP CAST FOR MOUNTING THE SWITCH BOX (REFER TO FIGURES 6 & 7). THIS KIT WILL NOT FIT THESE UNITS. (LOCATED UNDER THE TOP, IN THE RIGHT REAR OF THE STOVE)

PROCEDURE:

1) The first step requires determining which type of Piezo Bracket is being worked with. The Tucson has a Piezoelectric spark igniter (the red push button located next to the gas control valve behind the valve access door) which ignites the pilot light by means of a spark at the pilot light assembly. Open the valve door located on the lower front of the stove. The Piezo Bracket is positioned on the right side of the valve assembly, with the Piezo igniter mounted to it. Refer to Figure 1 to determine which bracket it is. If working with bracket A begin the procedure at Step 2. If working with bracket B begin the procedure at Step 4.

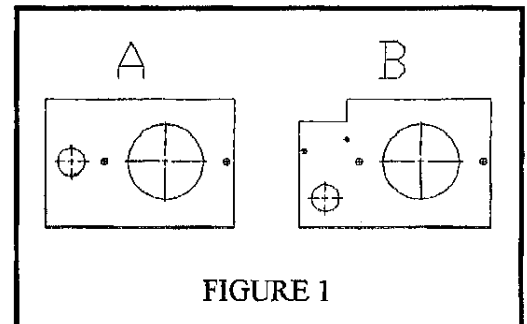


FIGURE 1

2) Begin by removing the nut on the back of the Piezo igniter. This nut is usually hand tight, but an adjustable wrench may be necessary.

3) Once the igniter nut has been removed, it must be reinstalled with the terminal block plate (PLATE) and terminal block (BLOCK) in front of it. The BLOCK must be mounted to the PLATE using the 2 8-32 x3/8 Philips Pan Head Tap Screws, as shown in Figure 2. Slide this assembly onto the "tail" end of the Piezo, with the BLOCK facing forward. Then reinstall/tighten the nut. Now skip to step 5.

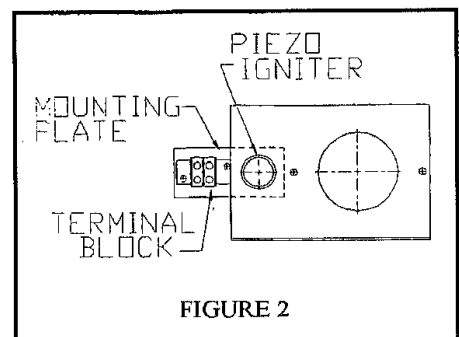


FIGURE 2

HearthStone Quality Home Heating Products

317 Stafford Ave., Morrisville, VT 05661, www.hearthstonestove.com

M:\Customer Service\Tucson DV - 8700\Tech Docs\Tech Data Sheets\97-57020 Tucson Optional OnOff Switch.doc

4) The Terminal Block Plate is not needed because bracket B has been modified for use with the on/off kit (it can be discarded). With the 2 8-32 x3/8 Philips Pan Head Tap Screws and Philips head screwdriver, mount the Terminal Block to the Piezo bracket, as shown in Figure

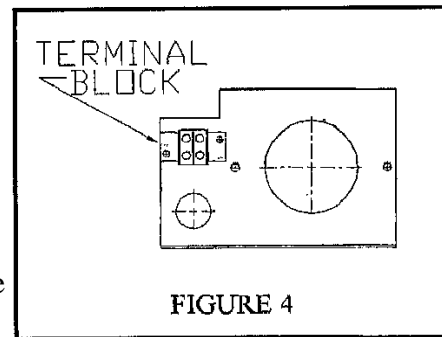


FIGURE 4

5) The next step involves running the wiring harness in the proper location. For all installations, the top right stone needs to be removed. This offers a view of the harness location and allows access to the work area. The location of the wiring harness is the same on all Tucson stoves, however the back of the DVs and BVs vary from the Vent Free:

VF: On the VF, the wiring harness runs through a hole in the back shroud, just below where the switch box will be mounted. This hole is in the top left corner of the stove, on the back, while viewing from the rear. Feed the valve end of the harness through this hole.

DV & BV: The BV & DV do not have a back shroud or a hole to go through, however, the wiring harness is located in the same fashion as the VF. Run the wires down the side of the stove, on the inside, in between the side stones and the stone clip, as shown in Figure 3.

The wiring harness should hang through the bottom, next to the stone clip bolt. Hook the harness around the backside of the bottom of the stone clip, in between the side stone and the clip. Hook the harness around the backside of the top of the clip and slide the harness in between the side stones and the stone clip. Wedge the harness in towards the long stone clip bolt, as shown in Figure 3. The wires should be hanging down under the stove with ample slack for reaching the valve terminals. The wires should not touch the firebox at all!!

The wires should not touch the firebox at all!!

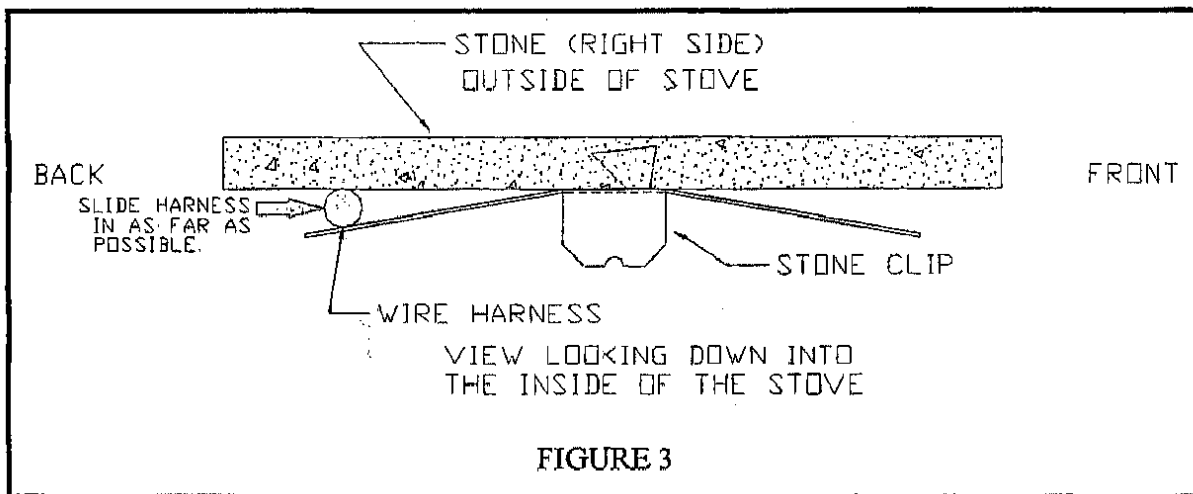


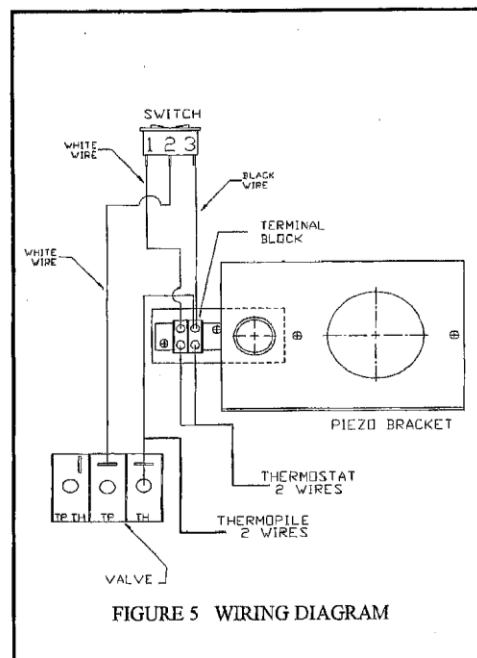
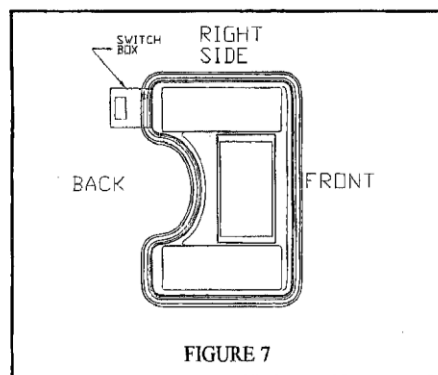
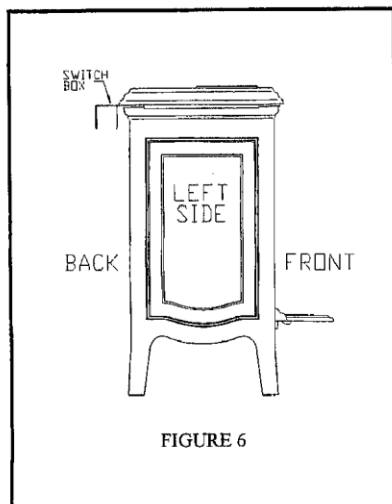
FIGURE 3

6) Now attach the wires in their proper location, shown in Figure 5. Check the switch, and be sure the wires have been attached properly to it.

Location of wire hook-ups:

WIRE	LOCATION	LABEL
White wire(forked) #1	Left side of Terminal Block	w/Thermostat
White wire(female) #2	Middle Post on valve	TP
Black wire(forked) #3	Terminal Block (right side)	w/Thermopile & Thermostat
Thermopile(2 wires)	1-Top Post on Valve 1-Terminal Block (right side)	TH w/ Black #3 & Thermostat
Thermostat(2 wires)	1-Terminal Block 1-Terminal Block	w/ White #1 w/ Black #3 & Thermopile

7) Next locate, on the rear of the stove, the tapped hole to be used for mounting the switch box. This screw hole is located, when looking at the stove from the front, on the top right side, just above the hole on the back shroud of the vent free. This is also one of the screws, which holds on the back shroud of the stove. If working with a Vent Free, remove this screw and mount the switch box as shown in Figure 6. Otherwise, if working on a DV or a BV, use the 1/4-20 x 3/8 Pan Head Phillips Screw provided to mount the switch box.





BOM

KIT # 97-57020

TUCSON ON/OFF FOR THE VENT FREE, B-VENT, AND D-VENT

PART #	DESCRIPTION	QUANTITY
7000-160	TERMINAL BLOCK	1
5950-741	TERMINAL BLOCK MOUNTING PLATE	1
5950-740	SWITCH BOX	1
7000-200	SWITCH	1
	WIRE HARNESS (1 HARNESS W/3 WIRES AND 3 COUPLERS)	1
7000-016	WIRE-16 GA HIGH TEMP BLACK	36"
7000-015A	WIRE-18 GA HIGH TEMP WHITE	72"
7000-017	NYLON COUPLER FEMALE	6
7000-150	SHEATHING	33"
7000-111	NYLON CABLE TIE BLACK WEATHER RESISTANT	2
4500-3435	8-32 x1/4 Philips Pan Head Tap Screws	2
4500-0540	1/4-20 x3/8 Pan Head Phillips Screw	1
3300-501	ON/OFF/STAT LABEL	1
57020	INSTRUCTION SHEET	1

HearthStone Quality Home Heating Products

317 Stafford Ave., Morrisville, VT 05661, www.hearthstonestove.com

M:\Customer Service\Tucson DV - 8700\Tech Docs\Tech Data Sheets\97-57020 Tucson Optional OnOff Switch.doc