

Technical Data Sheet

Green Mountain 40 - 8640 Catalyst Replacement

Kit #96-75400

INCLUDED IN KIT:

2ea. 3050-010: Catalyst
6ft. 3160-080: Gasket Tape, 3/4" x 1/16"

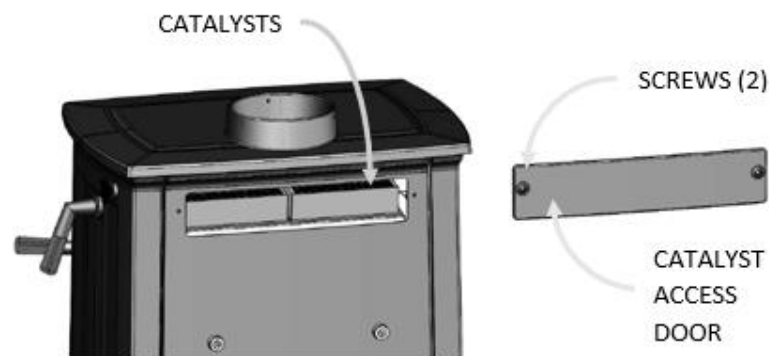
TOOLS REQUIRED:

Safety Glasses
Work Gloves
Philips Screwdriver
7/16" Wrench

BEFORE YOU BEGIN: Check to make sure you have all the components listed in the kit. Read the instructions all the way through. Always work on a cool stove.

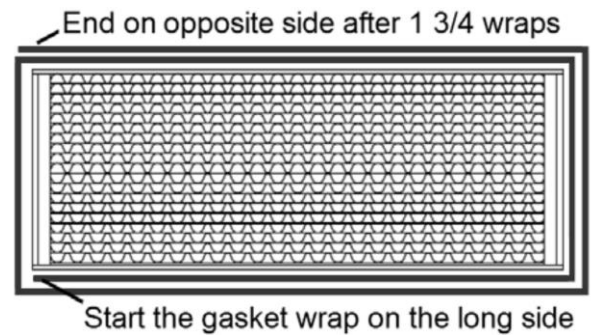
PROCEDURE:

1. Loosen, but do not remove the screws securing the rear heatshield. (If stove is so equipped).
2. Remove the heat shield by sliding the screw heads through the slots in the heatshield.
3. Remove the 2 bolts securing the cast iron catalyst access cover, and remove the cover.

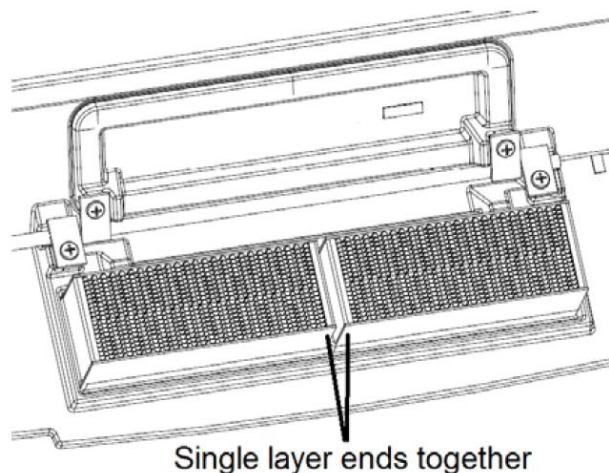


4. Fully remove the catalysts by gently pulling upwards from the ribs in the cast iron, and then pulling outwards through the catalyst access opening.
5. Remove any remaining gasket material from the opening and from the catalysts.

6. Remove paper backing from the gasket tape and beginning at one corner, re-install fiberglass gasket material on the catalysts.



7. Wrap the gasket tape around the catalysts so it is reasonably tight. Double layer the material on three sides of the individual catalyst cartridges as shown in the image above.
8. Once the gasket is installed on the catalysts, gently push the catalysts into the catalyst opening until the catalysts hit against the back wall of the cavity. Take care to ensure the gasket is not damaged and position the two cartridges so that the single layer gasket edges touch one another in the center. Replace the catalyst access door.



9. Heat the stove slowly during your next fire to allow the gasket and catalyst to break in together.