

Technical Data Sheet

Green Mountain Outside Air Kit Installation

Assembly 96-53400

INCLUDED IN KIT:

- (3) 4500-0072 #8 x 1/2" Tapping Screw
- (1) 5964-030 Outside Air Adapter
- (1) 6300-0980 Hi Heat Silicone

TOOLS REQUIRED:

Phillips Screwdriver

Before You Begin: Work on a cool stove.

- 1) Apply a bead of Hi Heat silicone sealant to the outside air adapter. Screw the adapter to the opening in the bottom shield of the stove (Fig. 2).
- 2) Attach 3" diameter pipe (purchased separately) to the adapter. Extra Hi Heat Sealant can be used to attach pipe sections to each other and the adapter.

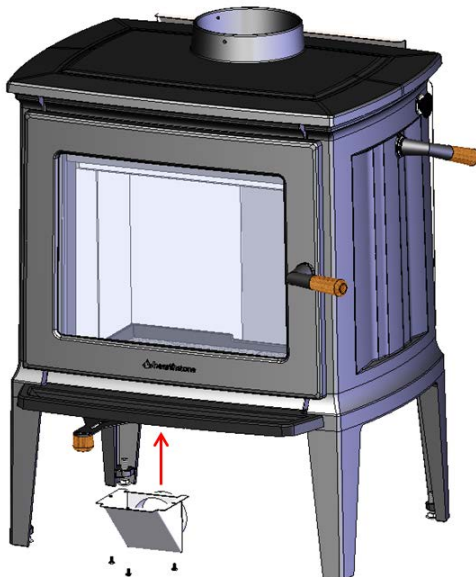


Figure 1

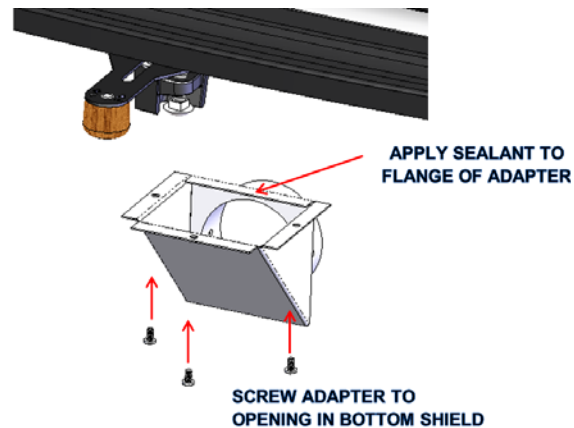


Figure 2