

Technical Data Sheet

Installation of the Homestead 8570 Surround *Assembly 95-59710*

Date: 5/17/2005

Page:1 of 2

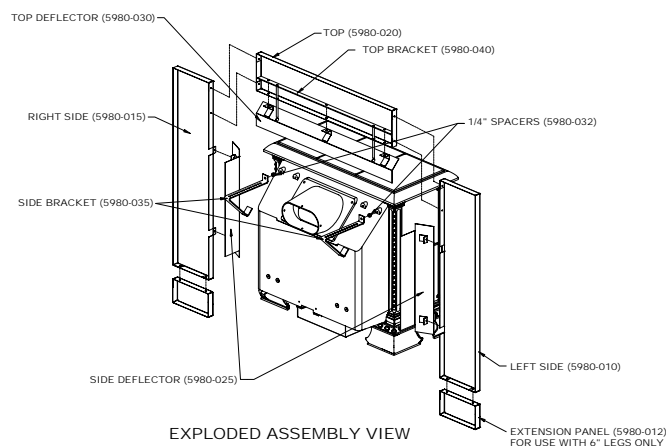
ASSEMBLY CONTENTS:

- (3) #4200-0200 – ¼” Finish Nuts
- (3) #4500-0700 – ¼” x 5/8” Hex Head Bolts
- (12) #4500-0072 – 8 x ½” Sheet Metal Screw (Pan Head, Black Oxide)
- (3) #4600-0400 – ¼” Lock Washers
- (2) #5980-032 – Bushing Spacers
- (1) #5980-010 – Surround: Left Side Panel
- (1) #5980-015 – Surround: Right Panel
- (1) #5980-020 – Surround: Top Panel
- (2) #5980-025 - Surround: Side Deflectors
- (1) #5980-030 - Surround: Top Deflector
- (2) #5980-035 - Surround: Brackets (Side)
- (1) #5980-040 – Surround: Bracket (Top)
- (2) #5980-012 – Surround: Extension Panels (Bottom)

TOOLS REQUIRED:

- (2) 7/16” Wrench
- (1) Phillips Screwdriver

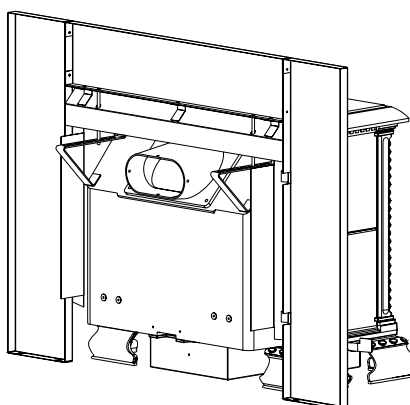
BEFORE YOU BEGIN: Identify the components of the kit using the above list and the exploded view shown below.



INSTALLATION PROCEDURE:

Note: If you are installing the surround on a stove with six-inch legs, install the 2 extension panels (5980-012) onto the left and right side panels (5980-010 & 5980-015) using four of the sheet metal screws provided in the kit. If you are installing the surround onto a stove with the four-inch legs, discard the extension panels.

- 1) Join the top panel (5980-020), top bracket (5980-040), and the top deflector (5980-030) as shown in the exploded view. Secure them with the 3 hex head bolts, washers, and nuts. Tighten with the 7/16" wrenches.
- 2) Line the side panels (5980-015 & 5980-010) up with the top panel assembly. Fasten them together using four of the twelve sheet metal screws provided with the kit. **Note:** the screws should be inserted through the top panel into the side panels.
- 3) To attach the side retaining brackets (5980-035) to the back of the stove, you will need to first remove the bolts in the outer raised tabs (see illustration – page one) on the back of the stove. Place bushing spacers and brackets onto the stove and secure them by returning the previously removed bolts to their original position in the back of the stove.
- 4) Drop the assembled portion of the surround onto the stove, the pins on the top deflector will drop into the holes on the brackets on the stove as shown below. Adjust the position of the surround by moving it forward or backwards in the bracket holes.
- 5) Complete the surround by installing the 2 side deflectors (5980-025) onto the side panels. Secure them by inserting the remaining four sheet metal screws through the tabs in the panels and into the tabs in the brackets.



FULLY ASSEMBLED VIEW