



TECHNICAL DATA SHEET
Kit# 95-56906

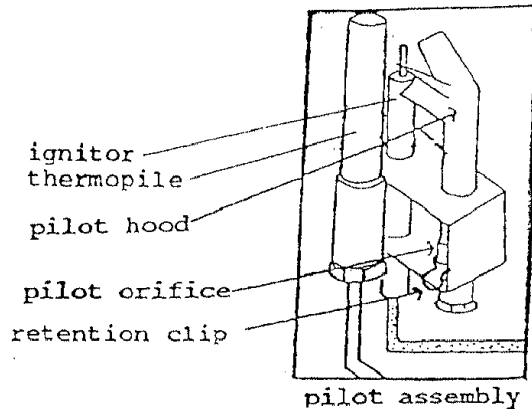
Sterling B-Vent Model 8520
Conversion From LP To Natural Gas

95-56906 Kit Contents:

- 1-Nat. Variable Regulator W/Gasket and Screws
- 1-Nat. Burner Orifice #31
- 1-Nat. Pilot Orifice #2063 (Brass)

Tools Required:

- 1-5/8" Wrench
- 2-1/2" Wrench
- 1-1/2" Socket (optional)
- 1-7/16" Wrench
- 1-Needle Nose Pliers
- 1-Phillips Screwdriver
- 1-Slotted Screwdriver



WARNING: *Servicing of gas control, appliances, systems and leak testing must be PERFORMED BY QUALIFIED PERSONNEL ONLY.*

IMPORTANT: Identify all parts and read all instructions before beginning.

PROCEDURE:

1. Turn the main control to the off position. Turn off the gas to the unit.
2. Using a Phillips screwdriver, remove the two screws that retain the pilot assembly. These are located outside the unit in the rear of the lower pan assembly.
3. Use a slotted screwdriver to remove the screw from the front door. Open the door and remove the log set.
4. Locate the pilot assembly inside the stove. Use the needle nose pliers to pull the pin from the base of the pilot assembly. Rotate the pilot 90 degrees counterclockwise and lift it off of the pilot orifice.

NOTE: This pin retains the pilot orifice. It should be carefully saved for reuse.

5. While holding the pilot line fitting with a 7/16" wrench, remove the LP gas orifice with a 1/2" socket or wrench.
6. Replace the LP orifice with the natural gas orifice provided in the kit. Use two wrenches as in #5 to tighten the natural gas orifice. Return the pilot hood assembly to its original position.



Reinstall the pin (see illustration above for proper position) and replace the Phillips screws in the back of the unit.

7. Locate and remove the 2 Phillips screws on the front of the bottom pan assembly. The valve cover can now be removed, exposing the main burner orifice.
8. With a 5/8" wrench disconnect the supply tube from the valve outlet and remove. While holding the elbow with a 1/2" wrench, remove the LP gas orifice with the 1/2" wrench. Replace the LP orifice with the natural gas orifice provided in the kit.
9. Reinstall the supply tube.
10. Open the valve door on the right hand side of the stove. Locate the LP gas regulator. To complete the conversion, follow the instructions provided with the natural gas regulator. It is important to make certain the new gasket is properly installed to prevent a gas leak. The best way to do this is to tip the unit on its side so that the gasket is put down horizontally and cannot slide down. **CAUTION:** Remember to remove top stones before tipping the unit on its side.
11. Replace the logs. Consult the owner's manual for the proper positioning of the logs.
12. Close the front door and turn the screw back into its normal position.
13. Put the sticker on the unit indicating it has been converted to natural gas.

IMPORTANT: Leak tests all the fittings before the stove is approved for use, then replace the valve cover and screws.