



Technical Data Sheet

Sterling-Ht Model 8532 LP NG Conversion Kit *Kit #95-56320*

Publish Date: 06/25/2004

MATERIALS REQUIRED:

#7200-243: #43 Orifice Hood
#7200-252: #52 Orifice Hood
#7211-163: 0.62mm Pilot Orifice (top Convertible)
#7211-319: Regulator (NG Ht)
White NG Sticker

TOOLS REQUIRED:

2 - 1/2" Wrenches
7/16" Wrench
5/32 Hex Wrench
Flat tip Screwdriver
Cross tip Screwdriver
Gas leak Detector
Manometer

WARNING

This conversion kit must be installed by a qualified gas service agency in accordance with the manufacturer's instructions and all applicable codes and requirements of the authority having jurisdiction. If the information in these instructions is not followed exactly, a fire, explosion, or production of carbon monoxide may result causing property damage, personal injury, or loss of life. The qualified service agency performing this work assumes responsibility for the proper conversion of this appliance with this kit. The installation is not complete until the operation of the converted appliance is checked as specified in the owner instructions supplied with the kit.

!!ATTENTION!!

Cet équipement de conversion sera installé par une agence qualifiée de service conformément aux instructions du fabricant et toutes exigences et codes applicables de l'autorisés avoir la juridiction. Si l'information dans cette Instruction n'est pas suivie exactement, un feu, explosion ou production de protoxyde de carbone peut résulter le dommages causer de propriété, perte ou blessure personnelle de vie. L'agence qualifiée de service est esponsable de l'installation propre de cet équipement. L'installation n'est pas propre et complète jusqu'à opération de l'appareil converti est chèque suivant les critères établis dans les instructions de propriétaire provisionnées avec l'équipement.

CAUTION: *The gas supply must be shut off prior to making this conversion. If the stove is equipped with the optional blower, the electricity must also be disconnected.*

BEFORE YOU BEGIN: There are two ways to access and change the burner orifices. The method you use will depend on whether or not the stove is installed, and the accessibility to the back of the stove. If the stove is not yet installed, use the first method that accesses the burner orifices from the back of the unit, outside the firebox. If the stove is installed and access to the back of the firebox is restricted, use the second method that will access the burner orifices from inside the firebox.

PROCEDURE:

Method One: Access the burner orifices from the back of the stove.

1. Locate the orifice mounting plate on the back of the stove (see illustration #1). Using a cross tip screwdriver, remove the three screws that hold the plate to the back of the stove. This will allow you to pull the plate, with flex lines and orifices attached, out of the stove.

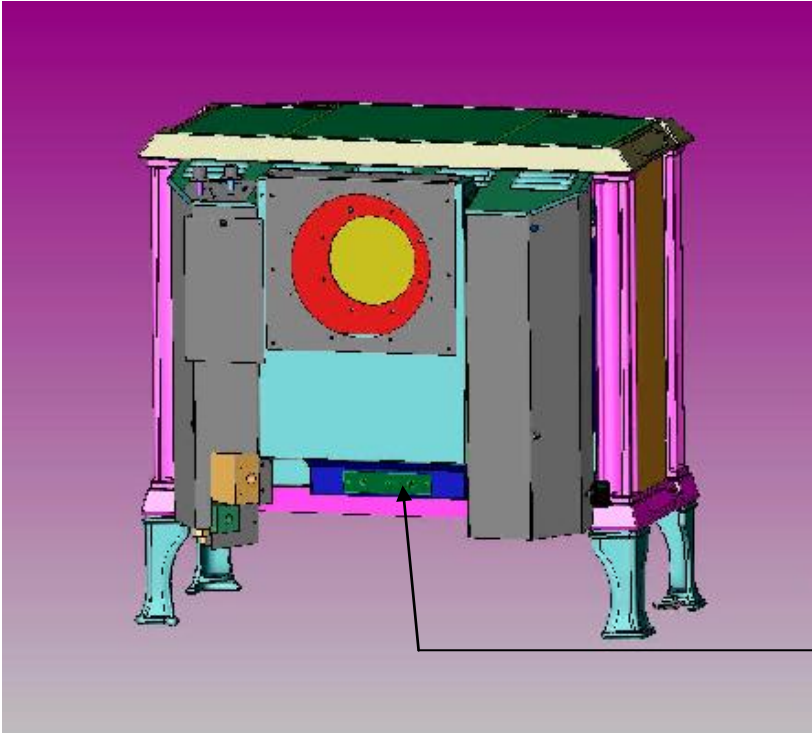
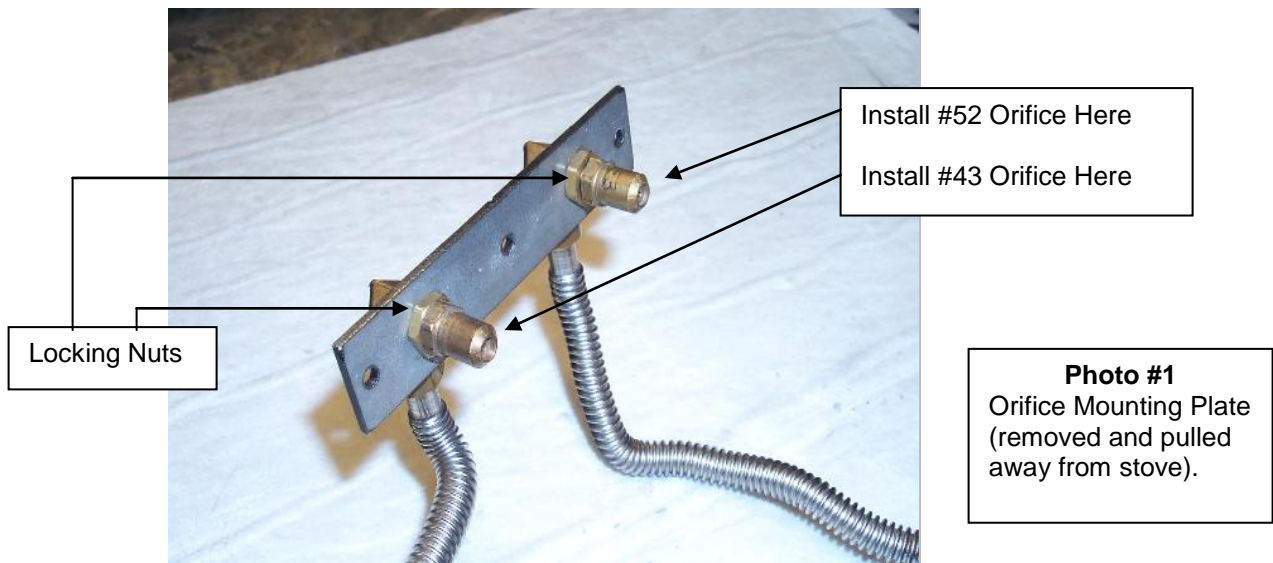


Illustration #1
Orifice Mounting Plate

2. Holding the locking nut positioned against the plate with one of the 1/2" wrenches, remove the LP Orifices with the second 1/2" wrench (see photo #1). After removing the LP Orifices, install the NG Orifices. The # 52 orifice is installed on the right side (facing front – see photo #1) of the mounting plate and the #43 is installed on the left.



Method Two: Access the orifices from inside the fire box. Use this method only if the stove is installed and access to the back of the stove is impossible.

1. First remove the front cast and glass assembly. To remove the front, grasp both sides of the front cast facade, toward the bottom, and lift upward and then outward. The bottom will slide up and out. The whole piece is then easily removed. Set the front aside taking care not to chip or scratch the enamel. Next, locate the two rotating clips above the glass. Rotate the clips out of the "locked" position and tilt the top of the glass outward. Lift the entire glass assembly up and out.
2. Carefully remove the logs and embers. To remove the ceramic pan burner, remove the two retaining screws on the left and right hand side of the firebox with a cross tip screwdriver.
3. Using a ½" socket with an extension, remove the LP orifices. Install the NG orifices provided with this kit. The # 52 orifice is installed on the right side (facing front – see photo #1) of the mounting plate and the #43 is installed on the left.
4. Replace the ceramic pan burner and secure it with the screws removed previously.

Install The NG Pilot Orifice:

1. Locate the pilot assembly inside the stove (see illustration #2). Remove the easy off top of the pilot burner hood by grasping it and pulling it up and off the pilot assembly.
2. Using the 5/32" hex wrench, unscrew and remove the LP pilot orifice. Insert the 0.62mm NG orifice provided with this kit and tighten it with the hex wrench.
3. Snap the pilot burner hood back into place on the pilot stem, making sure the cutout of the hood aligns with tang on the orifice housing.

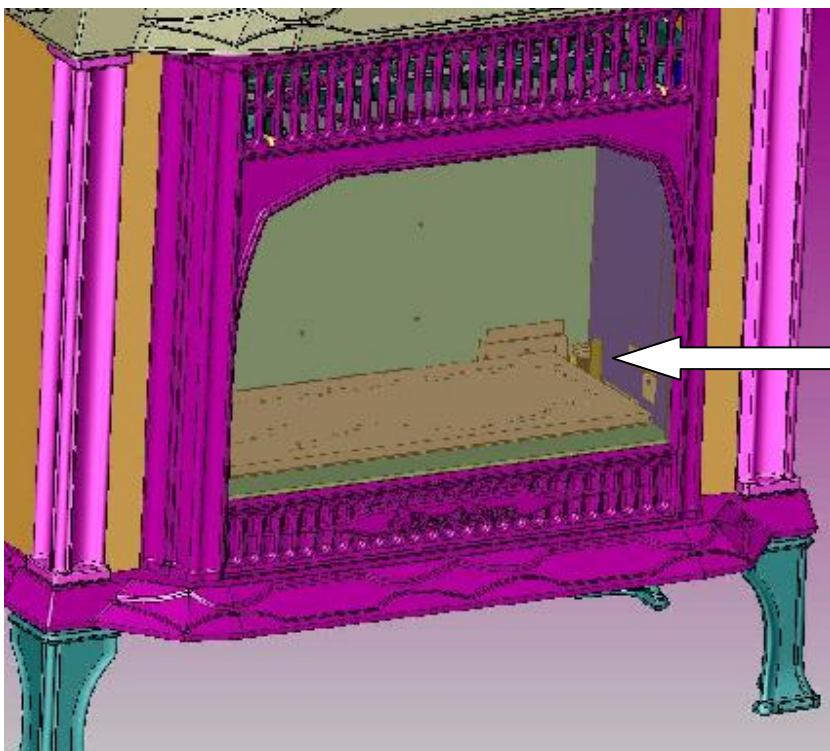


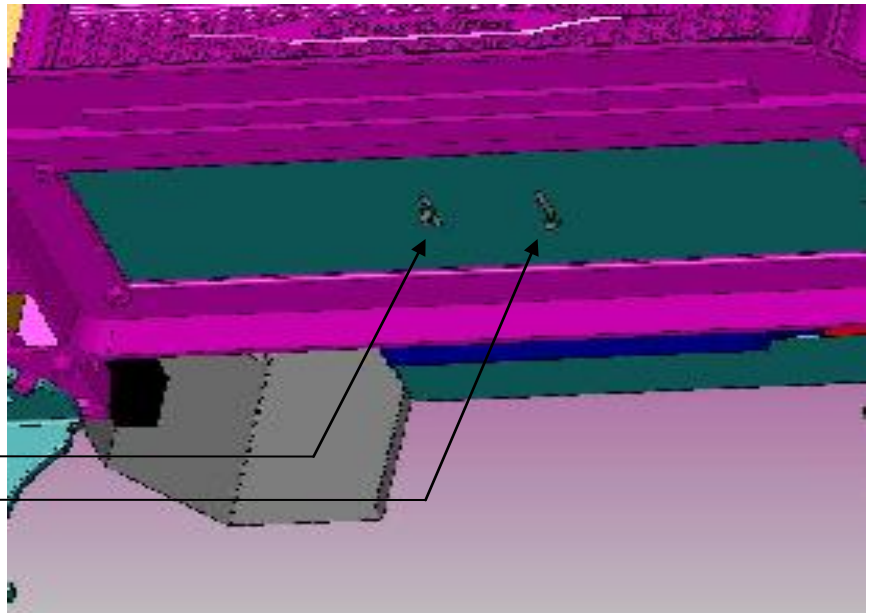
Illustration #2
Top Convertible Pilot in Firebox

4. Place the logs and embers back into the firebox. See the owner's manual for the exact placement of the logs.
5. Re-install the glass assembly by lining up the three tabs on the bottom of the assembly with the three slots on the firebox. Slide the lower portion of the glass assembly into the slots and push it flush against the firebox. Rotate the clips into the "locked" position.
6. Re-install the front cast by sliding the upper portion under the lip of the top and tilting the bottom in flush with the glass assembly. It should then slide downward and be snug in place. Make sure the glass assembly is properly secured to the firebox before turning the unit on. Be careful not to chip the enamel when installing the glass assembly or front cast.

Adjust the Shutters:

1. Locate the two shutter slide controls underneath the stove (see Illustration #3). Loosen the locking nuts with a 7/16" wrench. Pull each slider fully forward to "close" it. Light the stove. Make adjustments only after the flame is on for a few minutes. Once adjusted, lock the sliders in place by tightening the nuts.

Illustration #3
Air shutter adjustment sliders. Located on the bottom of the firebox.

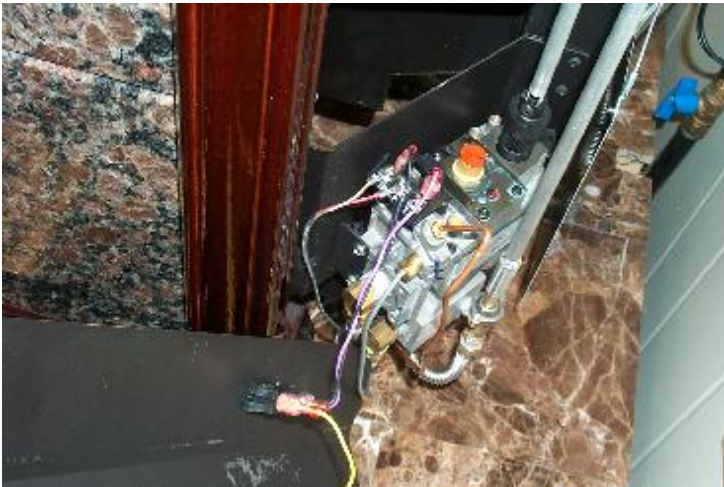


NOTE: Flames should be yellow tipped. Avoid dark orange or lazy flames that will produce soot.

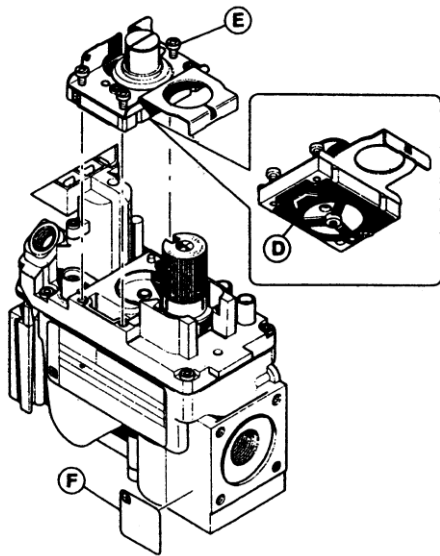
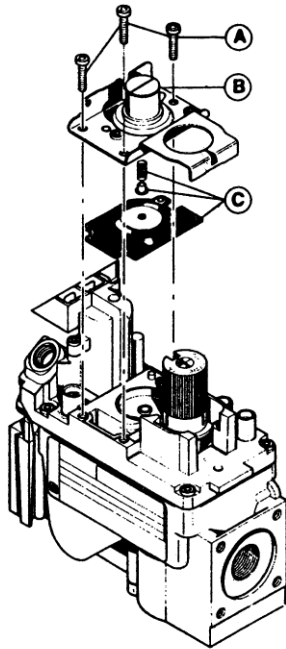
Converting the Valve:



To access the valve compartment, you will need to remove the cover plate on the back of the stove. Use a long shank cross tip screwdriver through the access holes on the top and bottom of the panel to remove the retaining screws. A third screw is removed from the top of the panel. If you do not have a long enough shank on a cross tip screwdriver, remove the two screws that hold the top grill to the rear of the stove along with the top screw in the panel. This will allow you to lift the grill and pry the panel out far enough to gain access to the two screws under the panel. Arrows show locations or access holes of the screws.



Valve compartment after panel is removed. To replace the regulator, lift the connector rod indicated by the arrow up and off the regulator. If a star washer is present (early models), ensure it is installed on the new regulator.



1 Turn control knob to the off position, and shut off the gas supply to the valve.

2. Using a screwdriver, remove and discard the three pressure regulator mounting screws **(A)**, pressure regulator tower **(B)**, and the spring and diaphragm assembly **(C)**.

3. Ensure the rubber gasket **(D)** is properly positioned and install the new ON/OFF pressure regulator assembly to the valve using the new screws **(E)** supplied with the new regulator. Tighten screws securely. (Reference torque = 25 In.Lb.)

4. Install the enclosed identification label **(F)** to the valve body where it is easily seen.

5. Apply gas to system and re-light appliance according to the instructions.

6. With the main burner "ON", test the new pressure regulator assembly for leaks using the leak detector or a soap solution.

7. Relight the main burner and verify proper burner ignition and operation.

WARNING! This ON/OFF conversion kit must ONLY be applied as part of a conversion kit supplied by Hearthstone for the Sterling – Ht Model 8532, and for the specific type of gas being converted to.

LEAK TEST ALL FITTINGS BEFORE AND AFTER LIGHTING THE STOVE WITH A GAS SNIFFER.

The input rate of the heater is verified by checking the manifold pressure. If the manifold pressure is correct, then the input rate is correct.

SPECIFICATIONS:

LISTED: DIRECT VENT GAS HEATER

Model: 8532-Sterling Ht DV

Testing Agency: Intertek Testing Services NA, Inc. (ITS)

Tested to: **ANSI Z21.88-1998•CSA 2.33-M98 CAN/CGA 2.17**

Venting Exit Type	Rear Exit – 5"x8" Pipe		Top Exit – 4"x6" Pipe	
	NG	LP	NG	LP
Gas Type				
Input rating (Btu/hr) 0-2000ft	33,000	33,000	38,000	38,000
Maximum output (Btu/hr) 0-2000ft	26,600	27,400	30,200	31,300
Minimum input rating (Btu/hr)	13,600	11,900	13,900	11,600
Orifice size DMS 0-2000ft	43,52	55,63	38,51	53,63
Man. pressure- HI setting (in.w.c./kPa)	3.5/0.87	10.0/2.48	3.5/0.87	10.0/2.48
Man. pressure- LO setting (in.w.c./kPa)	1.2/0.3	3.3/0.8	1.2/0.3	3.3/0.8
Minimum inlet pressure (in.w.c./kPa.)	5.0/1.24	11.0/2.88	5.0/1.24	11.0/2.88
Maximum inlet pressure (in. w.c.)	7	13	7	13