

Technical Data Sheet

WFP-100 (Montgomery) door Latch Replacement Instructions *Assembly 94-73200*

INCLUDED IN KIT:

- (1) 4500-2976 - Set Screw
- (4) 4700-0790 - Brass Spacer
- (1) 2310-617 - Crank Handle
- (1) 5420-050 - Latch
- (1) 4600-0800 - Flat Washer
- (1) 5240-138 - Tension Spring
- (1) 3900-191 - Wood Handle
- (1) 4100-0285 – Shoulder bolt

TOOLS REQUIRED:

- Pair of Work Gloves
- 5/32" Allen Wrench
- Pliers or Vise Grips
- Lithium Grease
- Flashlight

BEFORE YOU BEGIN: *Always work on a cool stove.* Read the instructions thoroughly before starting the repair. Identify all parts included in the kit. Report any shortages to your dealer.

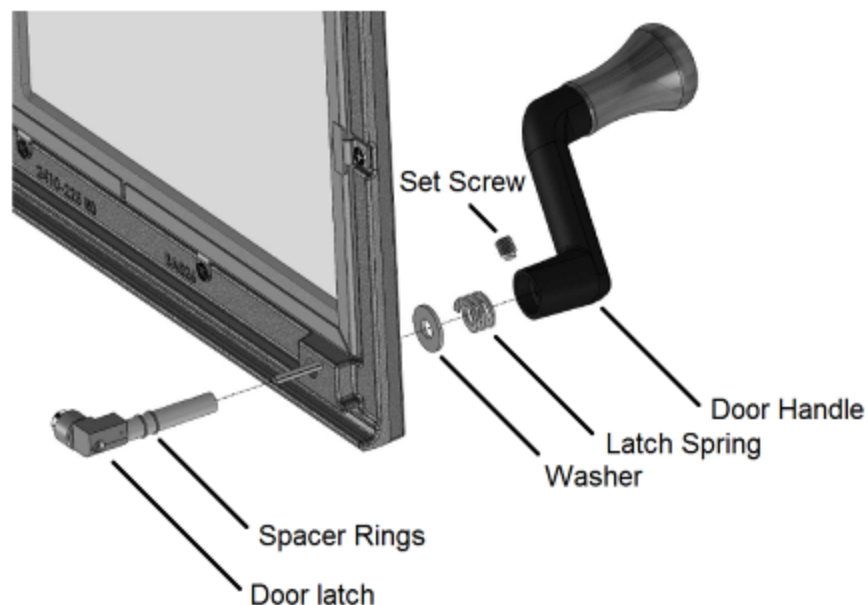


Figure 1.

- (1) Using the 5/32" Allen wrench, completely turn out the setscrew that holds the crank handle to the latch assembly. While holding the latch with the pliers, rotate the outer crank until it disengages from the threaded portion of the latch.
- (2) Separate the latch and crank. Discard all of the original latch components.
- (3) Place two of the brass washers onto the latch shaft. Keep the other two for possible adjustment needs. Apply lithium grease to latch shaft.
- (4) Push the latch shaft through the door. Place the large black washer onto the latch on the outside of the door. It will be flush to the surface of the outer door. Place the tension spring over the latch on the outside. See Figure 1 for detail.
- (5) Thread the crank onto the latch shaft. Continue to turn until it is flush to the surface of the door. Now turn it back until it is approximately 1/8" from the surface of the door.
- (6) Turn the crank until you can see the grooved out notch in the edge of the latch shaft (a flashlight may be helpful here). Once the two pieces are lined up in this manner, turn in the new setscrew. Use the Allen wrench to tighten the setscrew into the grooved notch in the latch.
- (7) Using the Allen wrench, attach the new wooden handle onto the new latch assembly with the shoulder bolt.

Note: If the latch requires adjustment, you will need to separate it again. To draw it tighter, remove a shim washer from the inside; to loosen the latch, add a washer to the latch shaft.