

Technical Data Sheet

GMI70 Model 8450 Fire Screen

Part number 94-69500

Parts Required:

(1) 94-69500 Fire Screen

TOOLS REQUIRED:

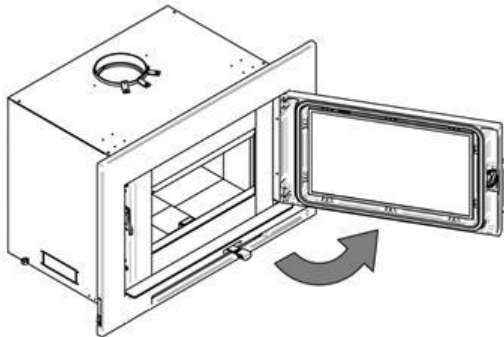
None

Description: The Fire Screen allows the user to burn the insert with the door open to enjoy the direct heat and light of the fire. The screen minimizes the chance of sparks escaping the insert.

Warning: *Never leave the insert unattended while in use with the fire screen.*

Procedure:

Open the door.



Lean the upper part of the fire screen against the top door opening making sure to insert the top fire screen brackets behind the primary air deflector.

Lift the fire screen upwards and push the bottom part towards the insert then let the fire screen rest on the bottom of the door opening.

Hold the fire screen by the two handles and bring it close to the door opening.

