

Technical Data Sheet

GMi70 Model 8450 Liner Hook-Up Starter Collar

Part number 94-67500

Parts Required:

- (1) Liner Hook-Up Starter Collar
- (3) Sheet metal screws

TOOLS REQUIRED:

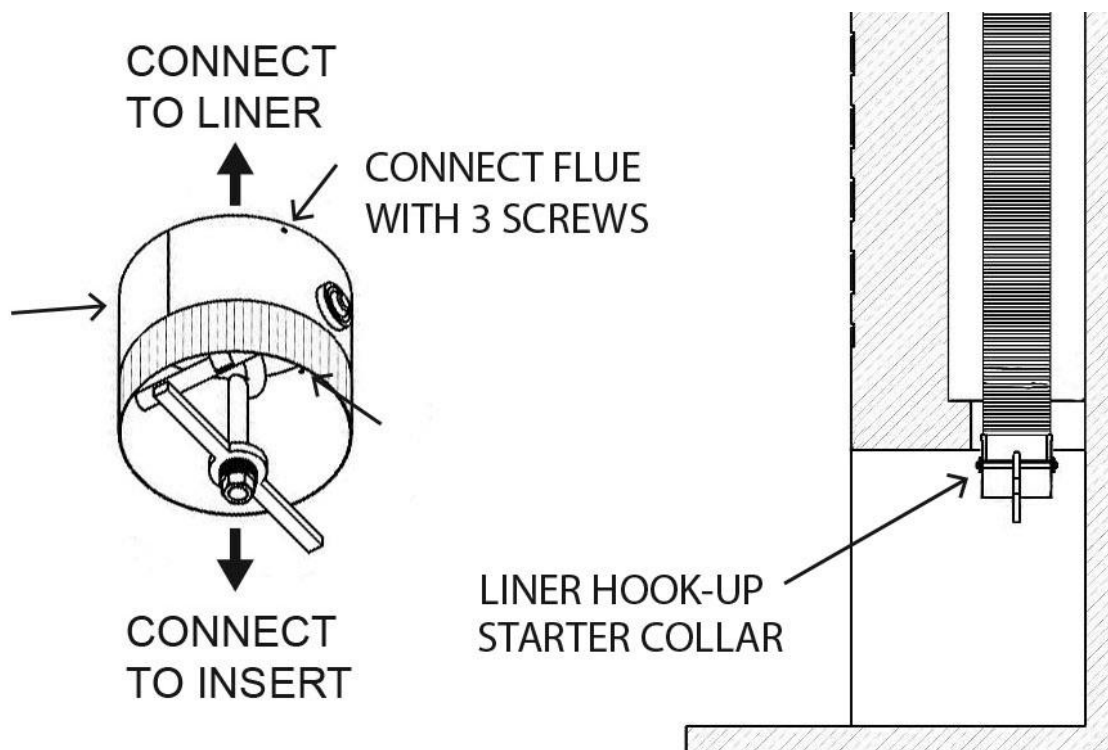
- Phillips screwdriver
- Adjustable spanner wrench
- Vice Grip Pliers
- Work Gloves

Description:

The Liner Hook-Up Starter Collar connects to your chimney liner before you install the insert in the fireplace. It can then be easily and safely secured to the insert after the insert is placed in the fireplace, making the whole installation process easier. Read the instructions thoroughly before using the starter collar.

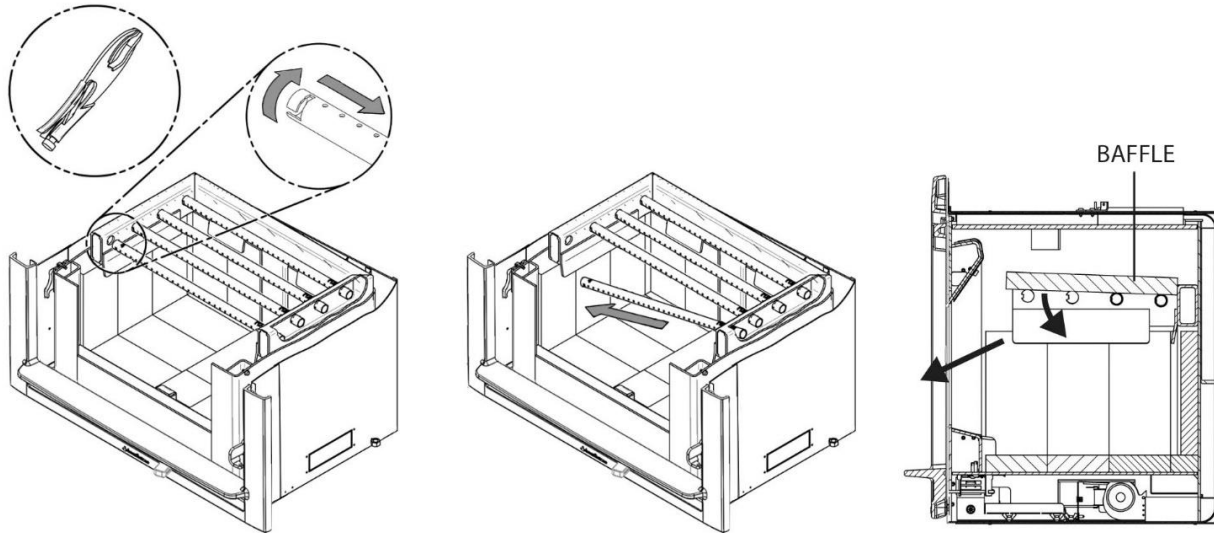
Connect the starter collar to the liner:

1. Use the 3 sheet metal screws to fasten the starter collar to the end of the chimney liner.
2. Loosen the cross bar and angle it up inside the collar.



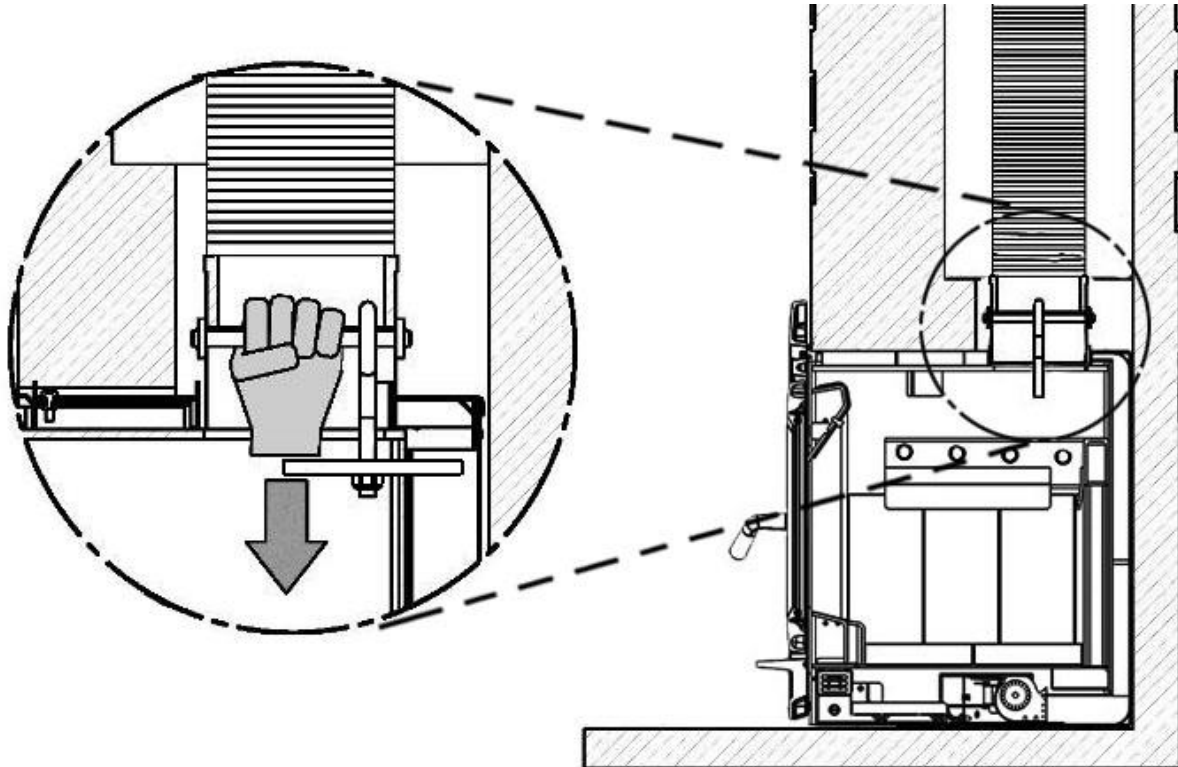
Install the insert:

3. Install the insert in the fireplace. Refer to the owner's manual.
4. Remove the secondary tubes and baffle to gain access to the flue exit.
 - a. Using the vice grip, grab the front tube near the left side of the firebox.
 - b. Rotate the tube counterclockwise until it stops.
 - c. Slide the tube to the right, out of the hole.
 - d. Tilt the tube down and remove it from the opposite hole.
 - e. Repeat steps 1a-1d for the remaining tubes.
 - f. With the front 2 tubes removed, lift and remove the baffle through the front door.



Attach the Liner Hook-Up Starter Collar:

5. Reach up through the flue exit and pull the starter collar down into place.
6. Pull the cross bar through the flue exit and position it so that it spans across the opening in a central position.
7. Using the adjustable spanner wrench, tighten the nut on the cross bar to secure the liner to the insert.



Re-install the baffle and air tubes:

8. Re-install the 2 front air tubes:
 - a. Starting at the back of the firebox, tilt the air tube and insert it into the hole on the right side of the firebox. Be sure to insert the end of the tube without the slot.
 - b. Align the notch in the left end of the tube with the key of the left air channel hole. Slide the tube to the left, into the hole until it stops.
 - c. Using the vice grip, rotate the tube clockwise making sure the notch reaches the end of the key way.
 - d. Repeat steps 4a-4c for the each of 4 tubes.
 - e. When the rear 2 tubes are in place, place the baffle on top of the tubes. Make sure to push the baffle all the way to the back so that it touches the rear surface evenly.

