

# Technical Data Sheet

## Clydesdale 8491 Surround Assembly & Installation

*Kit 94-5991110*

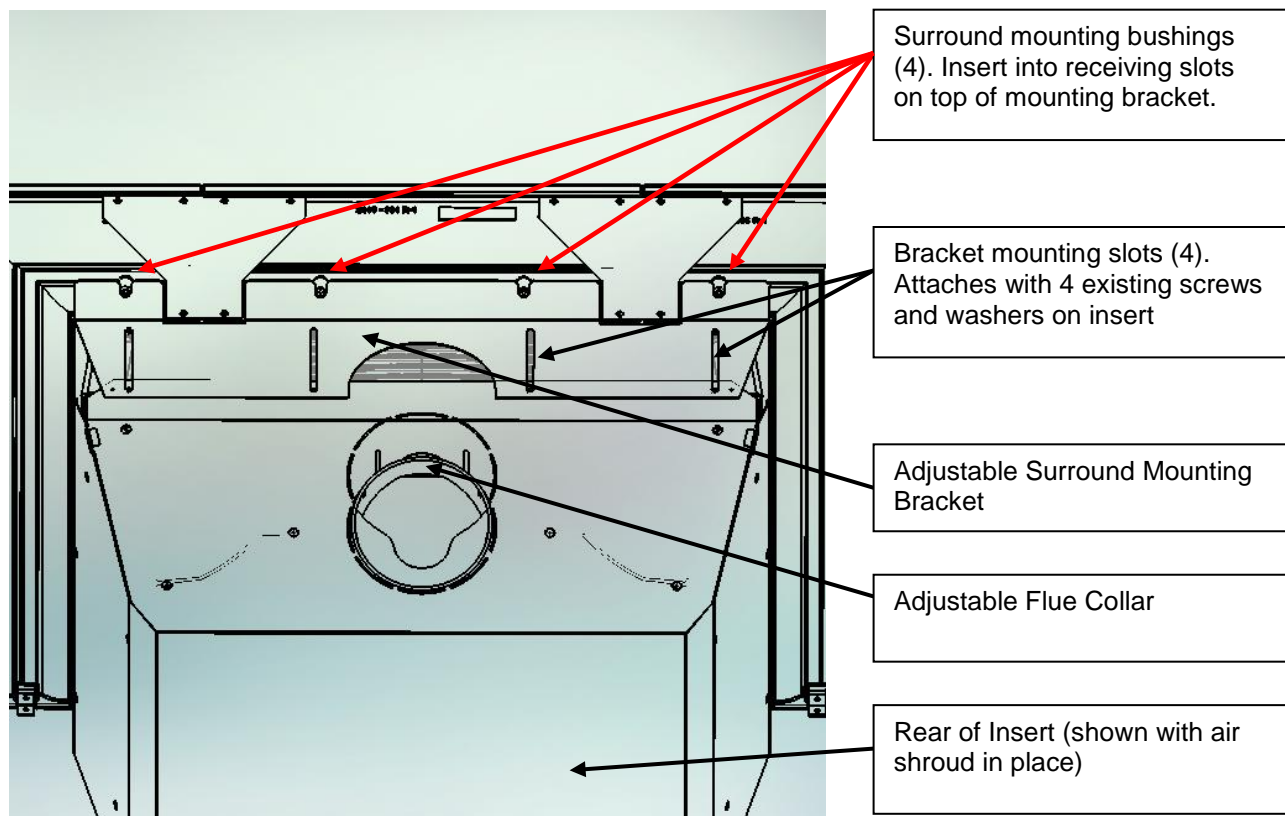
**Publish Date: 2/27/2009**

### Kit Contents:

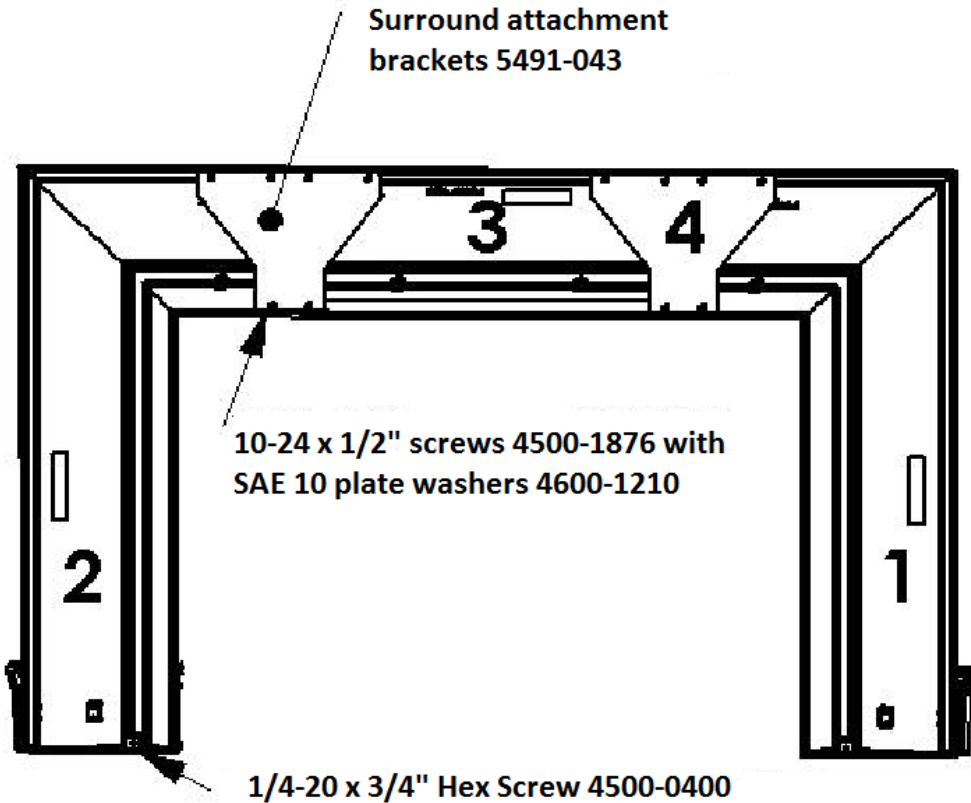
- 1- Center Top section (2410-991)
- 1- Left section (2410-993)
- 1- Right section (2410-994)
- 1- Surround Mounting Bracket (5491-087)
- 2- Surround Section Attachment Brackets (5491-043)
- 2- ¼-20x3/4" Hex Bolts (4500-0400)
- 18- 10-24x1/2" Pan, Phillips, Black Oxide Screws (4500-1876)
- 4- Bushings, Step (5012-066)
- 2- Surround Leveling Brackets (5470-039)
- 12- Washer, Plate, SAE 10, Black Oxide (4600-1210)

### Tools Required:

- Phillips screwdriver
- 7/16" wrench, or socket
- Level (optional)



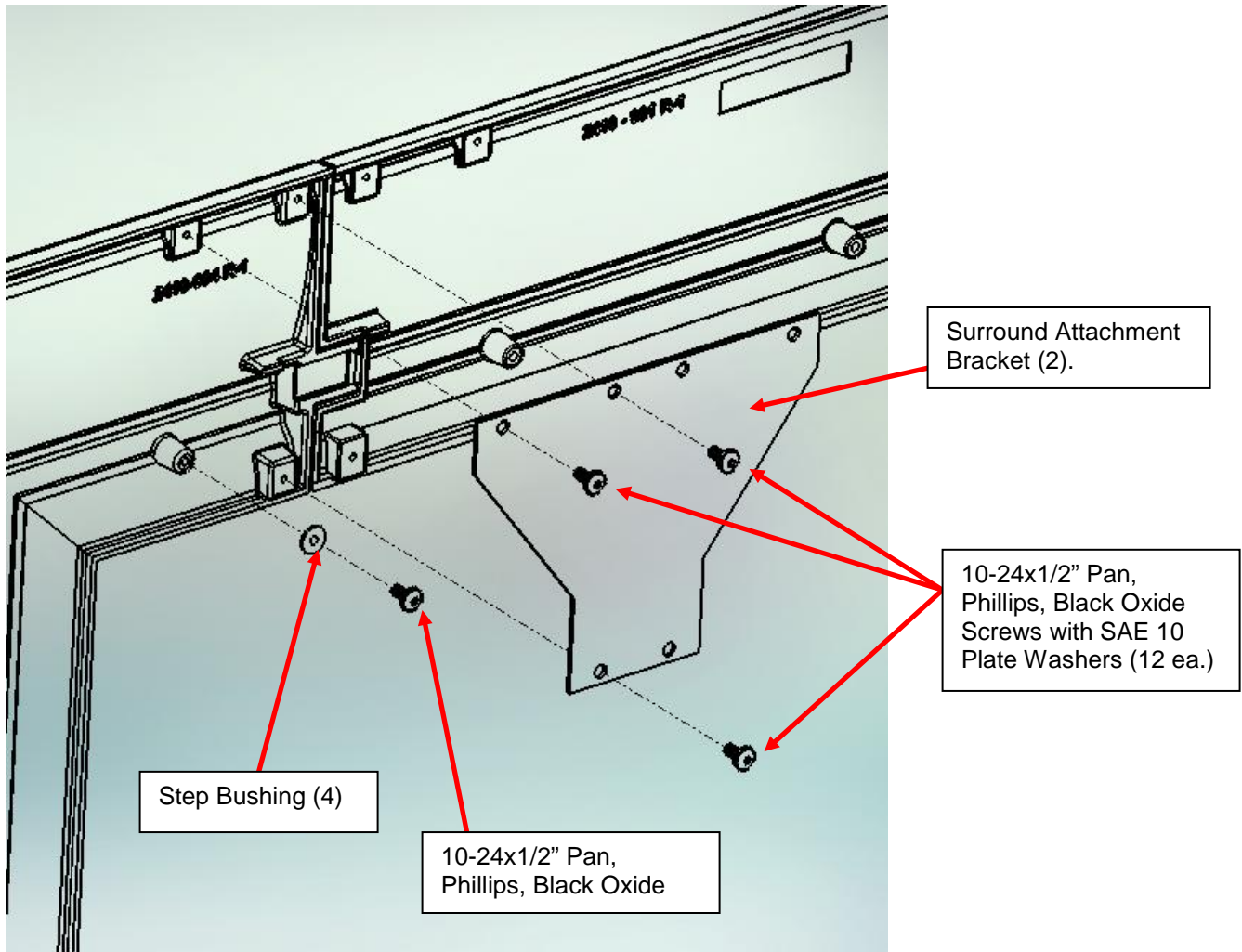
**Figure 1: Top rear view showing mounting bracket and rear of surround**



**Figure 2: Surround Sections & Attachment Brackets (Rear View)**

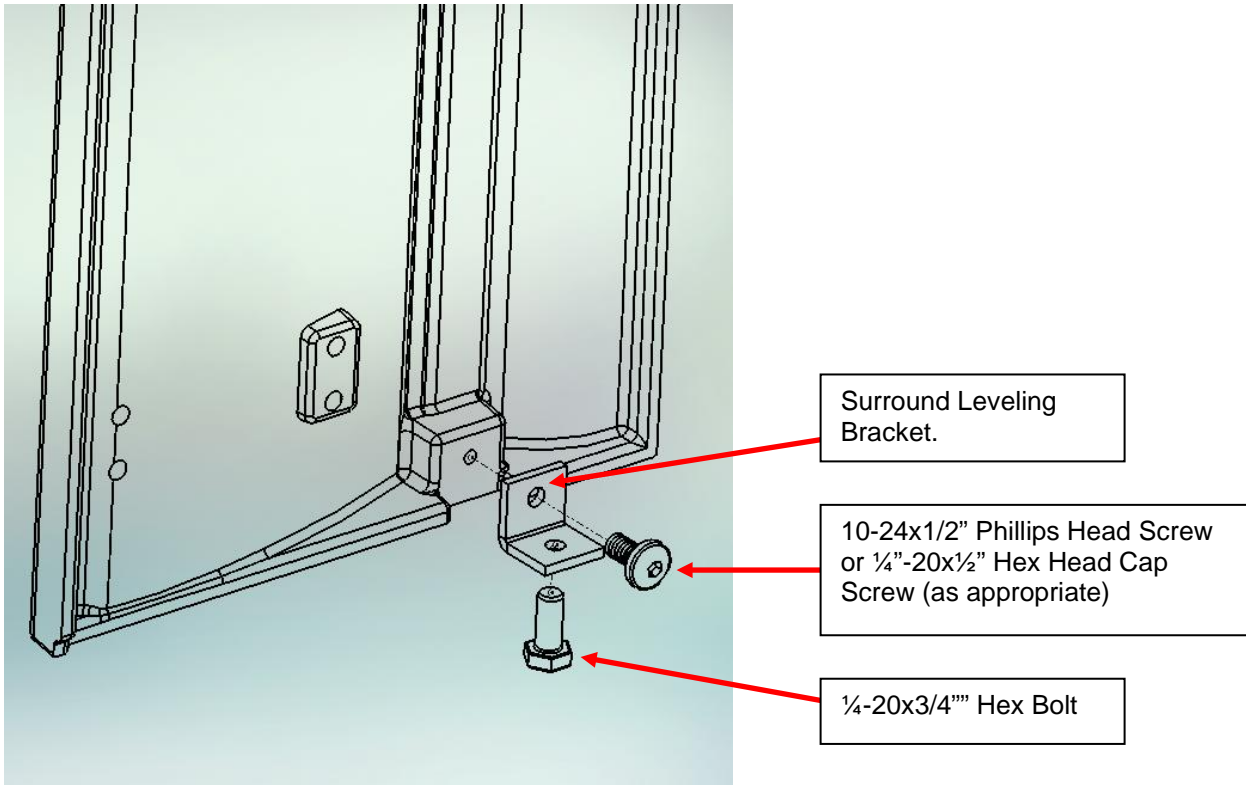
**Procedure:**

1. If space above the insert when installed in the fireplace is limited, install the mounting bracket loosely on the insert before placing in the fireplace. Otherwise, with the insert completely installed in the fireplace, and leveled, install the surround mounting bracket loosely on to the top of the insert using the 4 existing screws and washers on the insert. Slide the bracket into position so its front is just inside the face of the fireplace (*see Figure 1*).
2. Refer to *Figure 2*:
  - a. Locate and place the *Right section (2)* face down on a soft surface.
  - b. Locate and place the *Center section (3)* face down in position adjoining the *right section (2)*.
  - c. Secure them to each other using one attachment bracket (4) and 6 of the 10-24x1/2" Phillips Screws and SAE 10 Plate Washers provided in the kit.
  - d. Repeat steps a-c with the *Left section (1)*
3. Attach the Surround Leveling Brackets to the surround using either 2 of the 10-24x1/2" Phillips head screws or the 2 1/4"-20x1/2" hex head screws as appropriate. Do not install the two 1/4"-20x5/8" Hex Head Bolts to the leveling brackets unless required for your installation (*see Figure 4*)
4. Carefully position the completely assembled surround over the insert, and firmly against the face of the fireplace.
5. Reach into the gap between the top of the insert façade and the surround. Pull the surround mounting bracket forward against the back of the surround. Remove the surround, and tighten the 4 screws to lock the mounting bracket into place on the top of the insert.



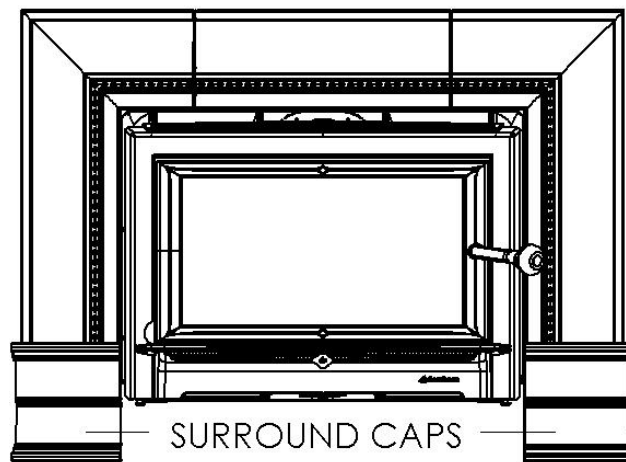
**Figure 3: Bracket and Step Bushing Attachment Detail**

6. Attach the 4 step bushings to the rear of the surround using 4 of the 10-24x1/2" Phillips Screws (see *Figure 3*). These four bushings slide into the receiving slots on the surround mounting bracket just installed on the insert.
7. Lift the surround and place on the insert. Ensure that the bushings seat fully into all the slots. The bottom of the surround should be flush with the bottom of the insert.
8. If needed, use the surround leveling brackets. Install and adjust the 1/4-20x3/4" bolts on the bottom of the leveling brackets to plumb and level the surround. If the Insert is level, the gap between the insert and surround will be uniform (see *Figure 4*). The step bushings allow for some height adjustment, but if the surround is raised too high the mounting bracket will be visible, or the surround will not be attached securely to the bracket.
9. If the surround is too long to let the bushings seat fully in the receiving slots, you will need to raise the insert as required.
10. If the gap between your hearth and the bottom of the sides of the surround is too large, or uneven, your Hearthstone dealer has optional Surround Cap Kits available (see *Figure 5*).



**Figure 4: Surround Leveling Bracket Detail**

**SURROUND CAPS (OPTIONAL):**



**Figure 5: Surround Cap Kit # 94-5970610 (matte) or 94-5970659 (blue/black) or 94-5970710 (matte double) or 94-5970759 (blue/black double) (double kit shown)**

Most zero clearance installations will raise the Clydesdale approximately 6" off the hearth or floor. In order to finish the surround, Hearthstone offers the surround cap kit. See the illustration in figure 5 to see the placement of the surround caps.