

# Technical Data Sheet

## Installation of the HearthStone Surround Caps

*Kit # 94-5970510 (Matte)*

Kit # 94-5970559 (Blue/Black)

**Date:** 1/12/2006

**Page:** 1 of 2

### **KIT CONTENTS:**

1 - Left Trim Plate  
1 - Right Trim Plate  
4 - 10-24x1" Screws

### **TOOLS REQUIRED:**

Philips screwdriver  
Drill  
1/4" dia. Drill bit

### **PROCEDURE:**

1. Prepare a flat surface large enough to lay the surround on its front surface. Carefully lay the surround face down on this surface. Place a scrap piece of wood (such as a 2x4) under the surround segment to prevent drilling into the floor or work surface.
2. On the lower left and lower right surround segments find the dimples (see figure 1 on page 2) at the lower most end of the segments. Using a 1/4" drill, drill through the cast dimples. (Warning! Double check that you are drilling the correct dimples.)
3. After drilling the holes place the surround on top of the cap with the holes lined up and attach them with the 10-24x1" screws provided.

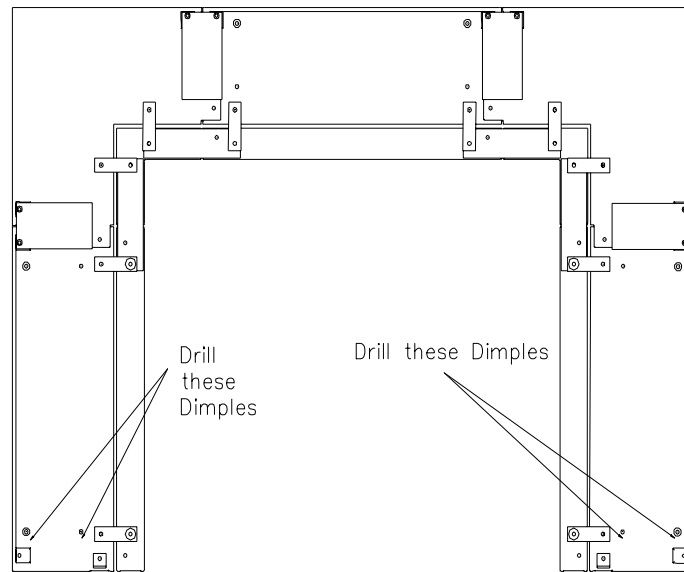


Figure 1 Rear View

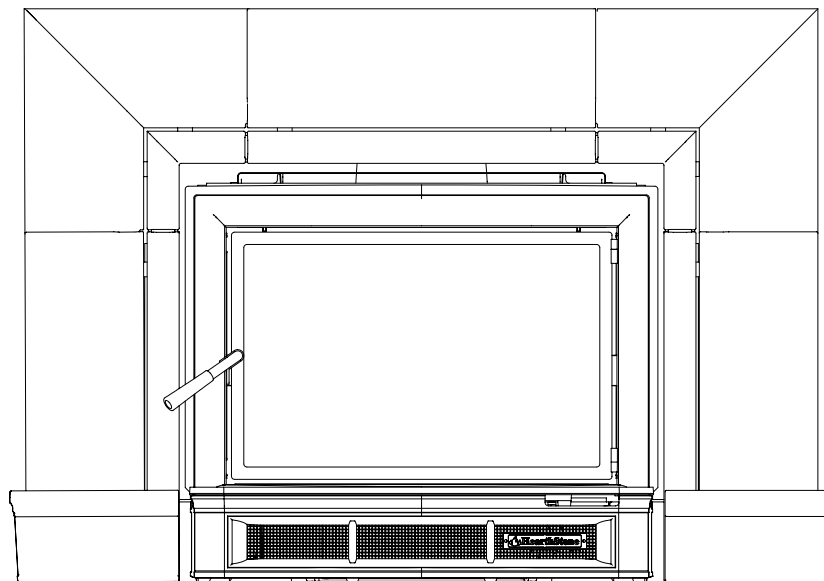


Figure 2 Front View