

## Technical Data Sheet

### GMI70 Model 8450 Surround Lower Panel

*Part number 94-5950510*

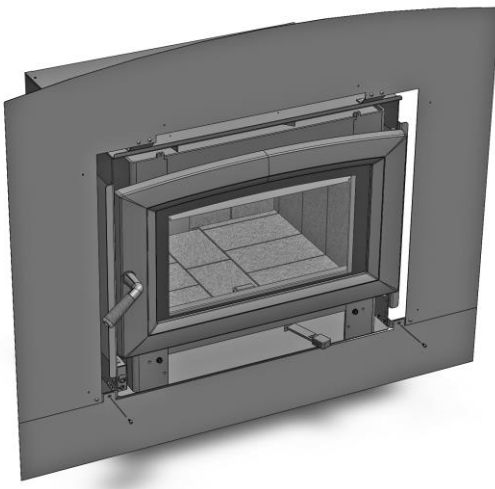
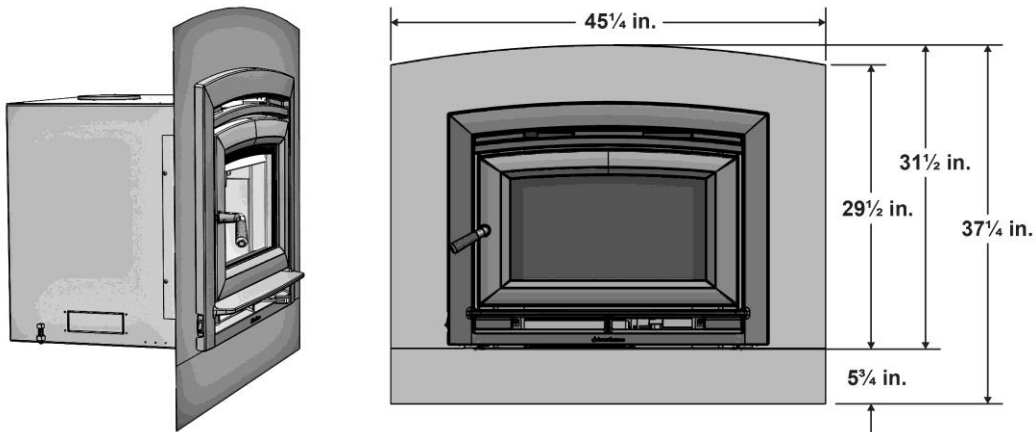
#### Parts Required:

- (1) 5450-412 Surround Lower Panel
- (2) 4500-0072 Screw: S-Tap 8x1/2" Pan PH

#### TOOLS REQUIRED:

Phillips Screwdriver

**Description:** The Surround Lower Panel requires installation of the 3 sides Steel Surround (94-5950110). It adds a lower panel to complete a 4 sided surround, and so can only be used in installations where the insert is a minimum of 5-3/4" above the horizontal hearth surface.



#### Procedure:

- 1) With the Steel Surround installed, attach the Surround Lower Panel to the lower brackets using the 2 screws as shown.