

Technical Data Sheet

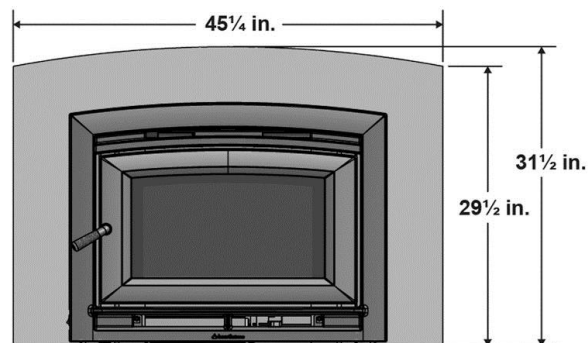
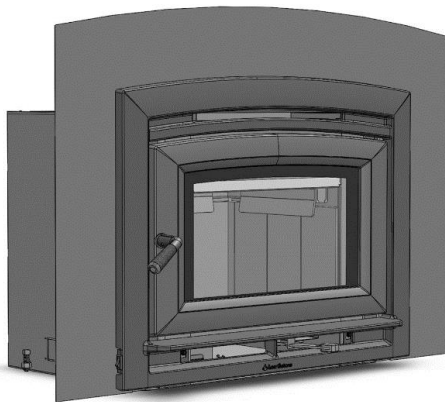
GREEN MOUNTAIN INSERT 70 - 8450 STEEL SURROUND INSTRUCTIONS *Assembly 94-5950110*

INCLUDED IN KIT:

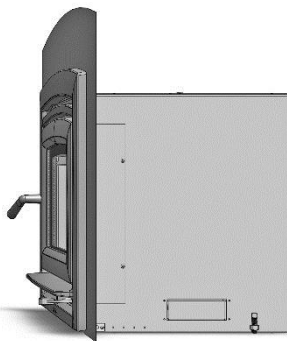
5450-410 Surround: GMI-70
 5450-016 Bracket: Surround Lower
 5450-017 Bracket: Surround Top
 4500-0072 SCREW: S-TAP 8X1/2" PAN PH

TOOLS REQUIRED:

Phillips Screwdriver

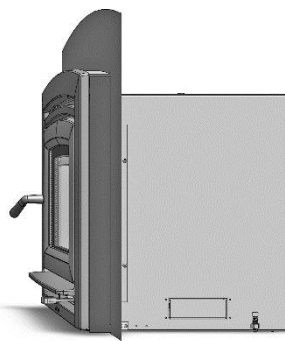


The steel surround can be installed in 3 positions.



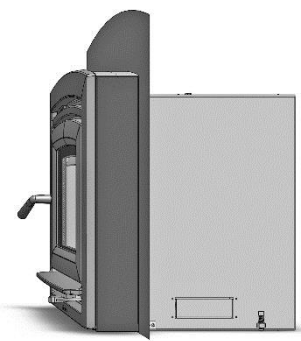
Position 1:

Use position 1 when installing the steel surround only.



Position 2:

Position 2 requires the optional surround extension, accessory #94-9590010, installed in the 2 inch extension position.



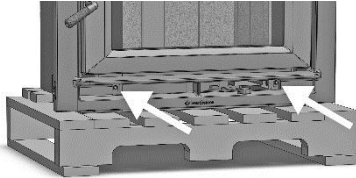
Position 3:

Position 3 requires the optional surround extension, accessory #94-9590010, installed in the 4 inch extension position.

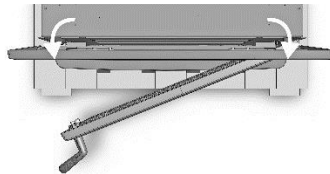
INSTALLING THE STEEL SURROUND

1. Remove the front casting from the insert.

a. Remove the two screws visible below the ash lip.



b. Tilt the frame up slightly, then LIFT the frame up and off the hanger tabs on top of fireplace insert.



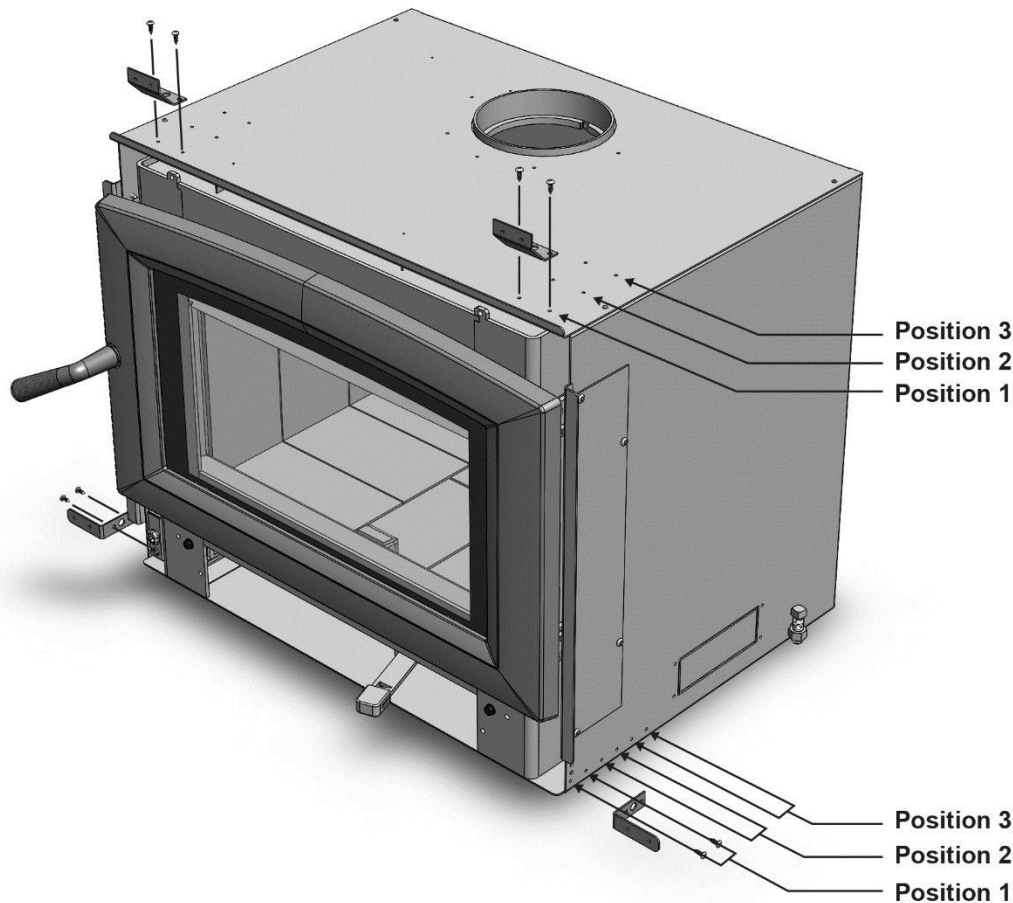
c. Carefully remove the front casting from the fireplace insert. It may be easiest to open the door slightly and allow the door handle to swing out of the way.

2. Attaching the surround brackets before placing the insert in the fireplace opening. Using the screws included with the surround, attach the brackets as shown, 2 screws per bracket.

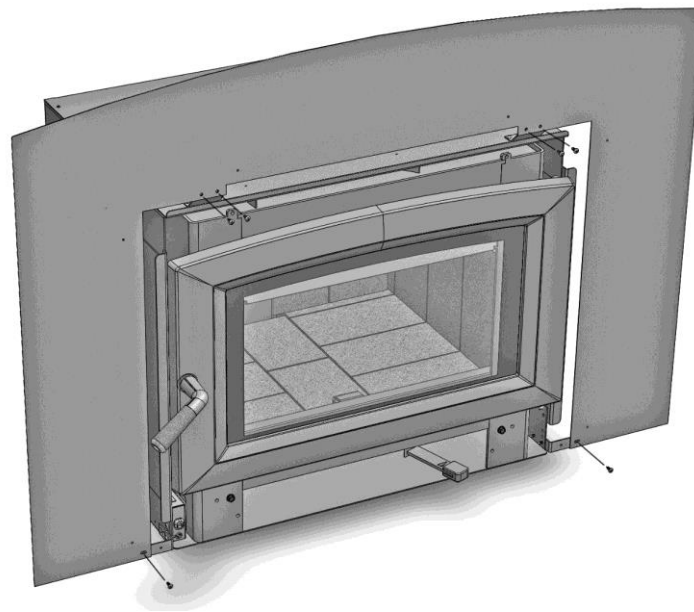
If installing the steel surround only, attach the brackets in position 1.

If installing the 2 inch surround extension, attach the brackets in position 2.

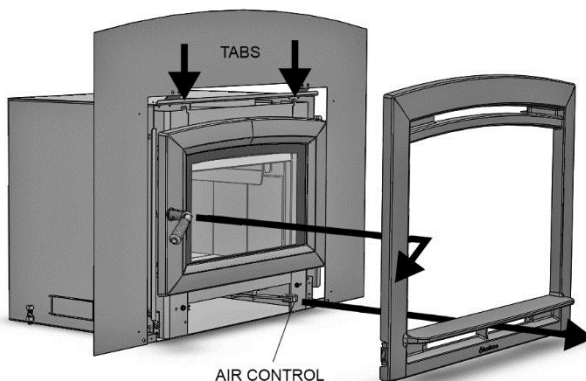
If installing the 4 inch surround extension, attach the brackets in position 3.



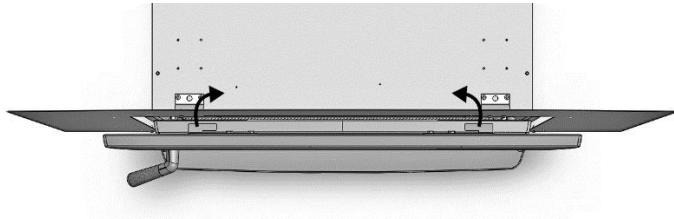
3. Once the surround brackets are installed, the insert can be placed in the fireplace opening and connected to the liner. Follow the installation instructions in the owner's manual.
4. Install the steel surround plate. Using the screws included with the surround, attach the surround plate as shown using 6 screws.



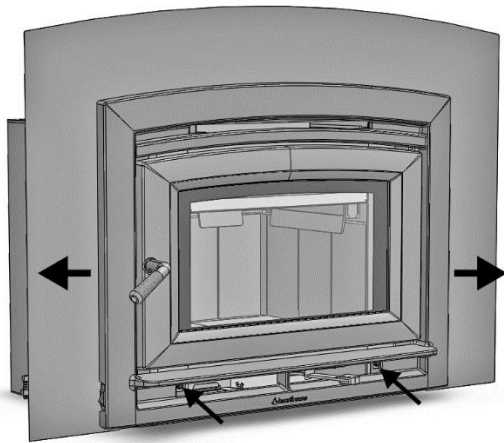
5. Install the front casting.
 - a. Carefully position the front casting on the fireplace insert. Make sure the air control handle passes through the opening in the front casting below the ash lip. It may be easiest to open the door slightly to avoid hitting the door handle.



- b. Be careful not to pinch the blower switch wires.
 - c. LIFT the front casting up and onto the tabs on top of fireplace insert. Guide the hanger brackets onto the tabs and let the front casting rest on the top edge of the firebox.



- d. Position the front casting by sliding it left or right. Center the front casting with the door. Carefully check that the door can open fully without making contact with the front casting.



- e. Install the two screws below the ash lip. These screws should pass through the square holes in the hanger brackets (attached to be front casting) and back into the holes they were removed from in Step 2. You may need to lift the front casting slightly to engage the screws.