

Technical Data Sheet

GMi70 Model 8450 Surround Extension

Part number 94-5950010

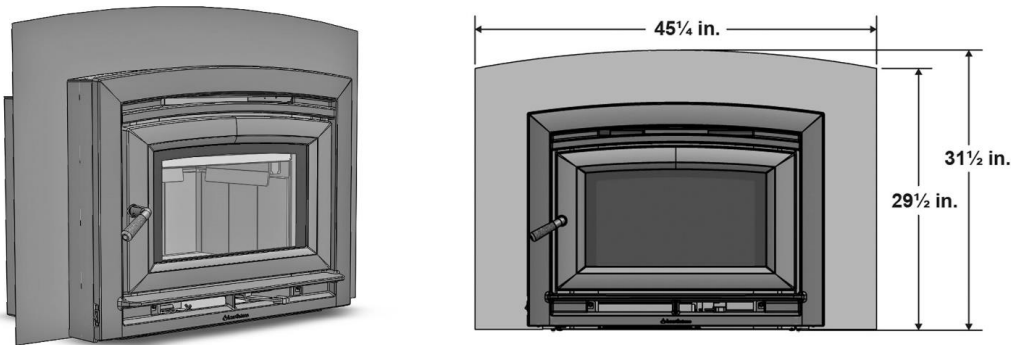
Parts Required:

- (1) 5450-412 Surround Lower Panel
- (2) 4500-0072 Screw: S-Tap 8x1/2" Pan PH

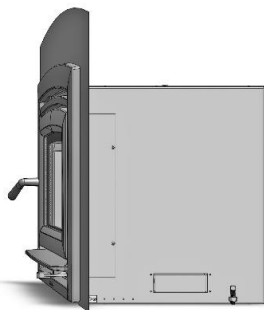
TOOLS REQUIRED:

Phillips Screwdriver

Description: The Surround Extension requires installation of the 3 sides Steel Surround (94-5950110). It bridges the gap between the front casting and the steel surround when the steel surround is installed either 2" or 4" back from the front casting, allowing installation in a shallow hearth.

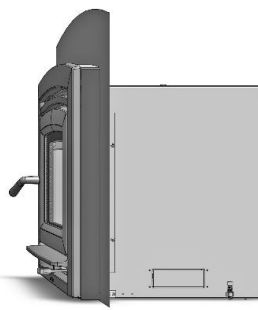


The steel surround can be installed in 3 positions.



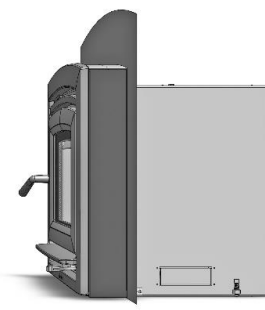
Position 1:

Use position 1 when installing the steel surround only.



Position 2:

Position 2 requires the optional surround extension, accessory #94-9590010, installed in the 2 inch extension position.

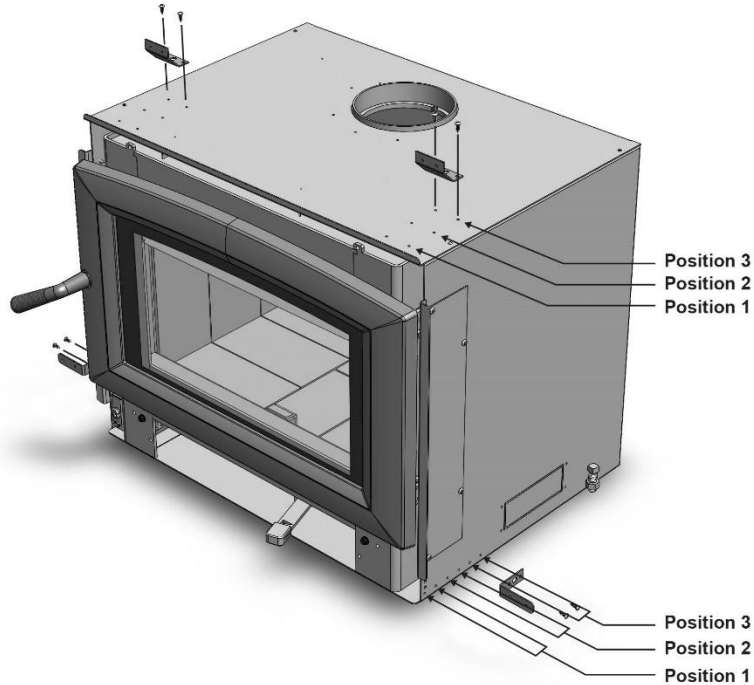


Position 3:

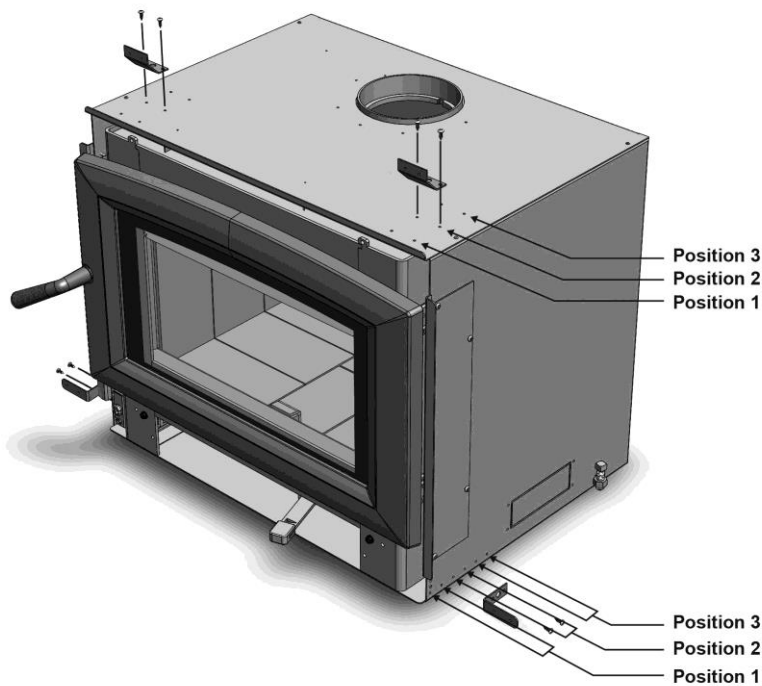
Position 3 requires the optional surround extension, accessory #94-9590010, installed in the 4 inch extension position.

Installing the Surround Extension

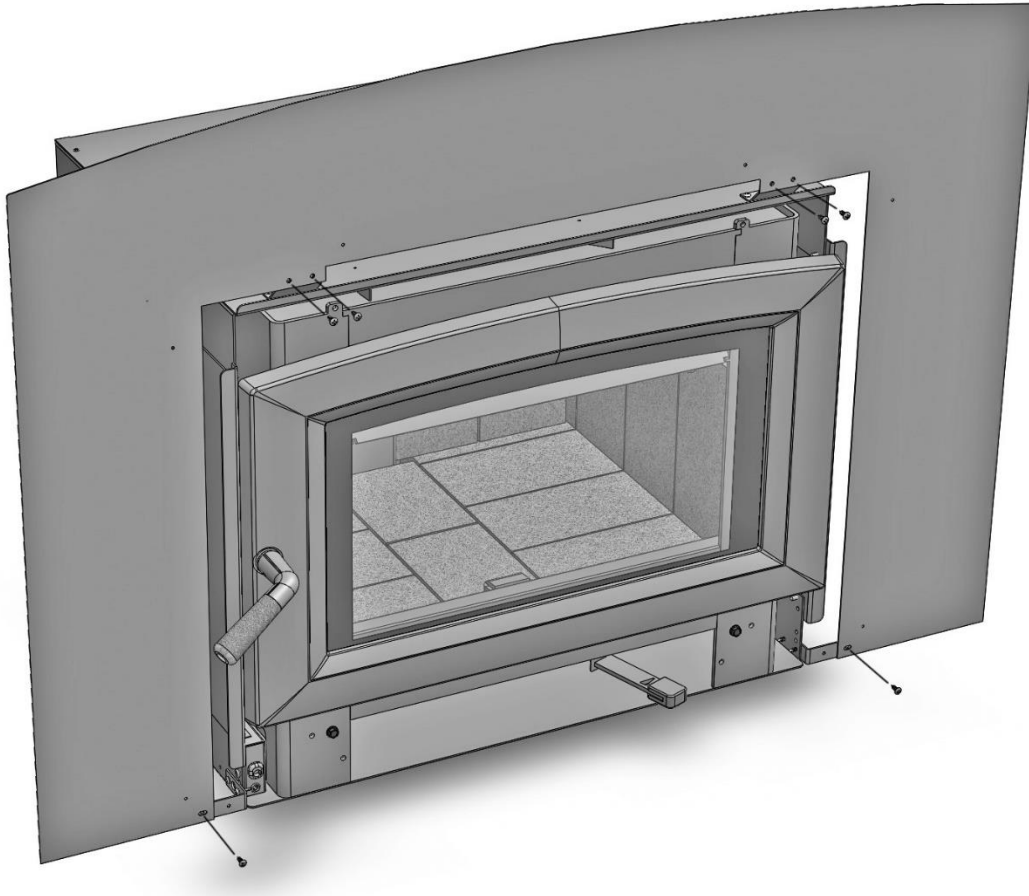
1. To install the 4 inch surround extension, attach the surround brackets in position 3 using the screws and brackets included with the steel surround.



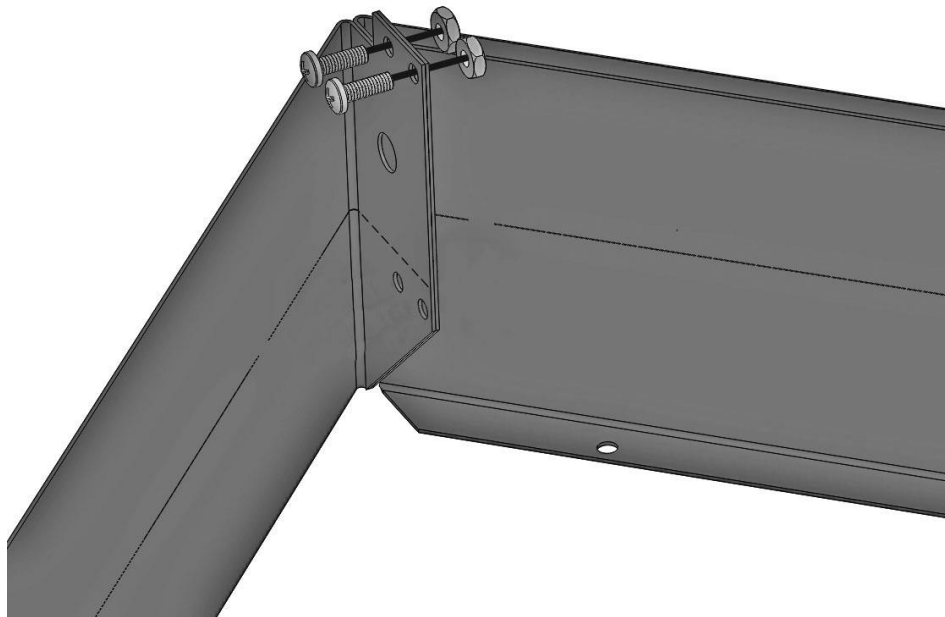
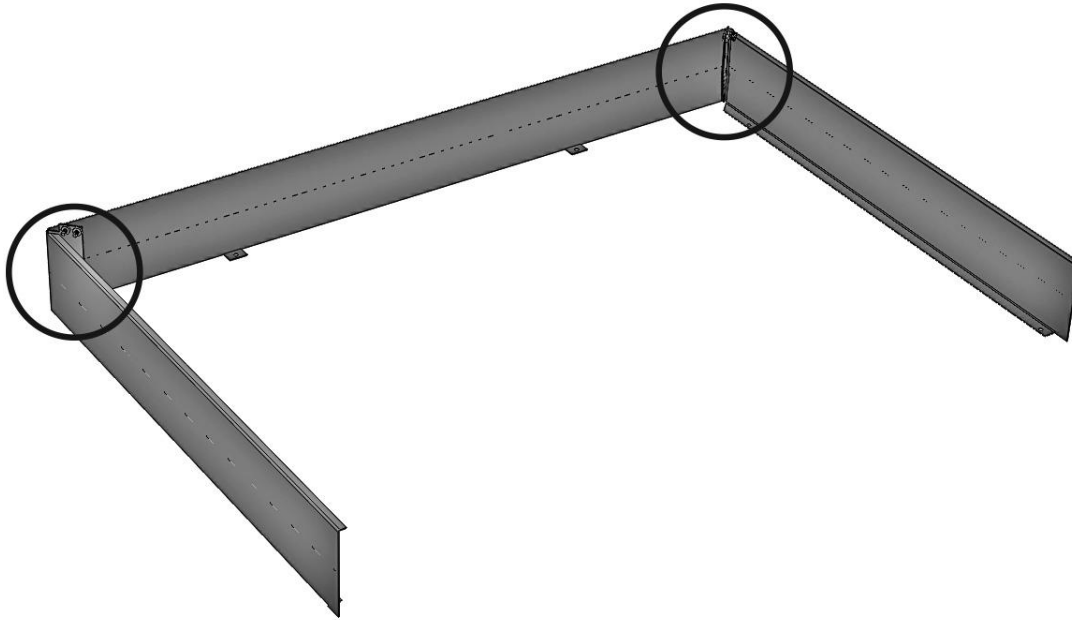
2. To install the 2 inch surround extension, attach the surround brackets in position 2 using the screws and brackets included with the steel surround.



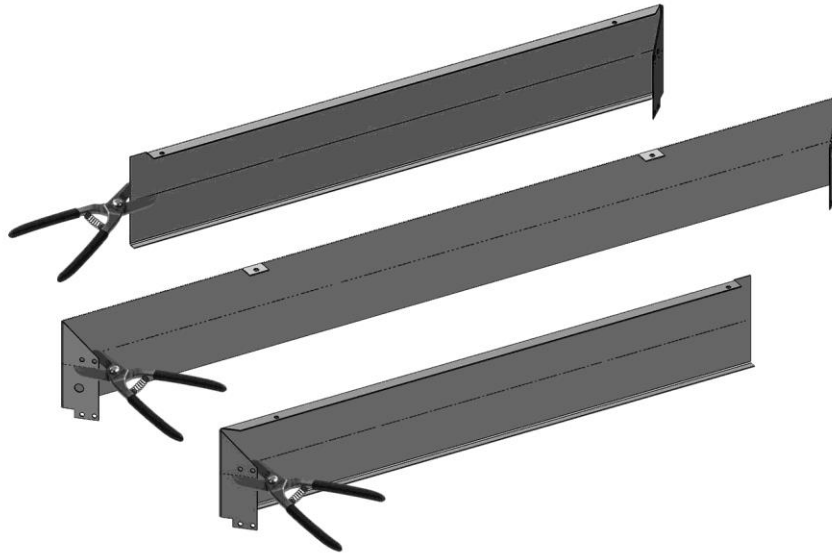
3. Once the surround brackets are installed, the insert can be placed in the fireplace opening and connected to the liner. Follow the installation instructions in the owner's manual.
4. Install the steel surround plate. Using the screws included with the surround, attach the surround plate as shown using 6 screws.



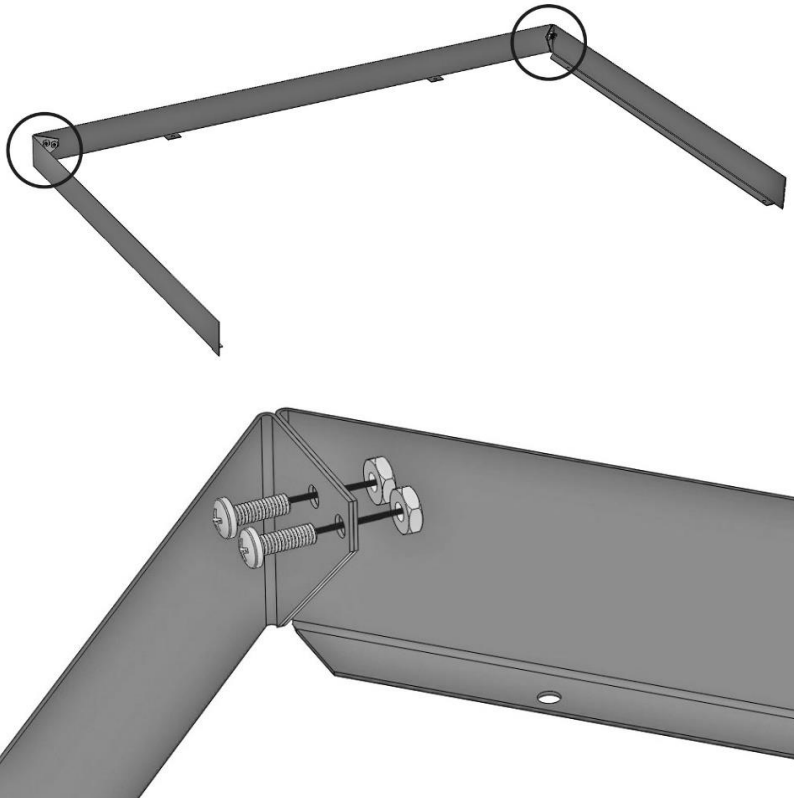
5. Assemble the surround extension, 4 inch extension
 - a. Arrange the 3 sections of surround extension on a protected surface as shown below.
 - b. Connect the pieces together at the corners, using the #8-32 screws and nuts provided. Use 2 screws and nuts in each corner. Use a phillips head bit to hold the screw in place and tighten the nut using a wrench.



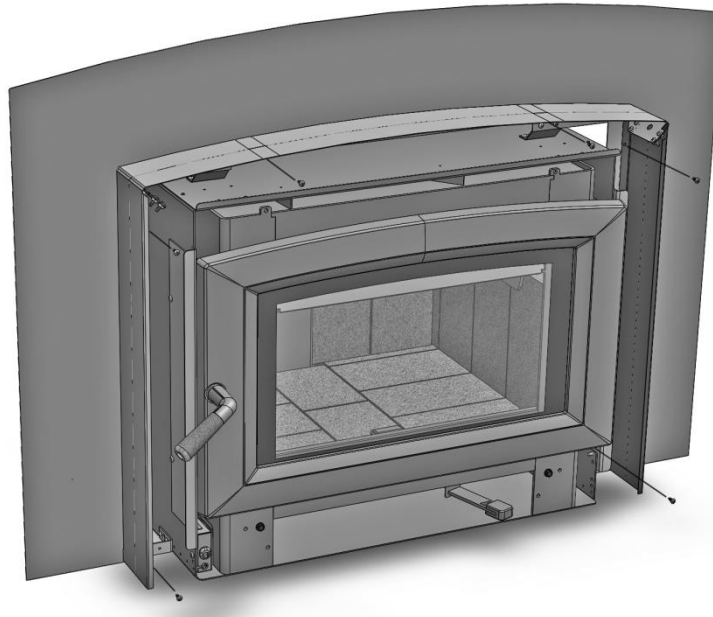
6. Assemble the surround extension, 2 inch extension
 - a. Using tin snips, cut the tabs down the center line of each of the 3 surround extension pieces.



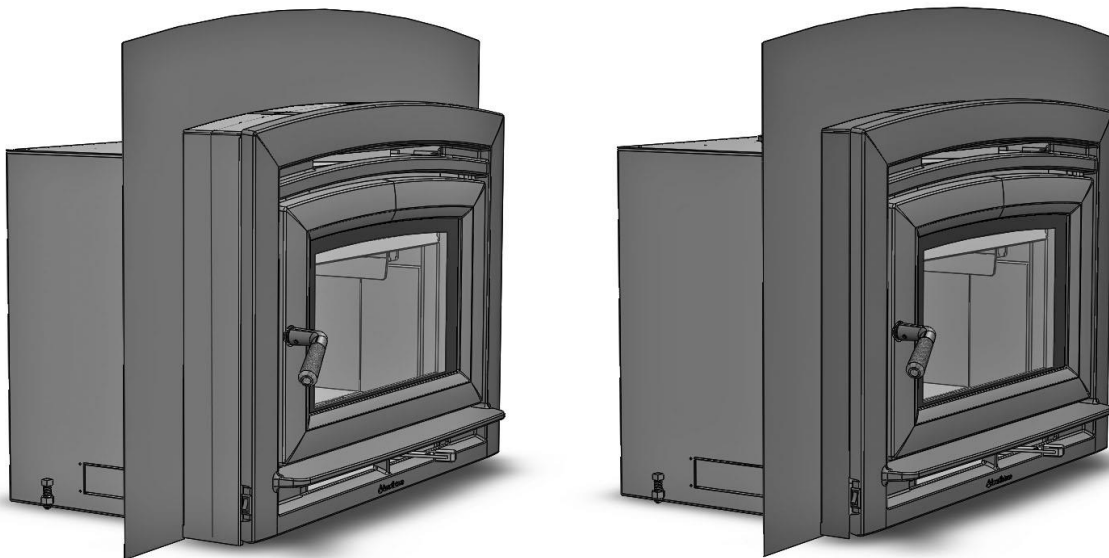
- b. Arrange the 3 sections of surround extension on a protected surface as shown below.
 - c. Connect the pieces together at the corners, using the #8-32 screws and nuts provided. Use 2 screws and nuts in each corner. Use a phillips head bit to hold the screw in place and tighten the nut using a wrench.



7. Attach the surround extension to the steel surround using the 6 sheet metal screws provided. Attach the side panels first, starting at the lower holes. The middle piece of the surround extension will form an arch once all of the screws are attached.



8. Install the front casting as outlined in the steel surround instructions or owner's manual. There should be a small gap between the front edge of the surround extension and the back of the front casting. The front casting should overlap all edges to hide this small gap. For slight adjustment, loosen the screws of the surround brackets and snug the surround to the back for the front casting.



- 1.