

Technical Data Sheet

Clydesdale I 8491 Glass Replacement Instructions

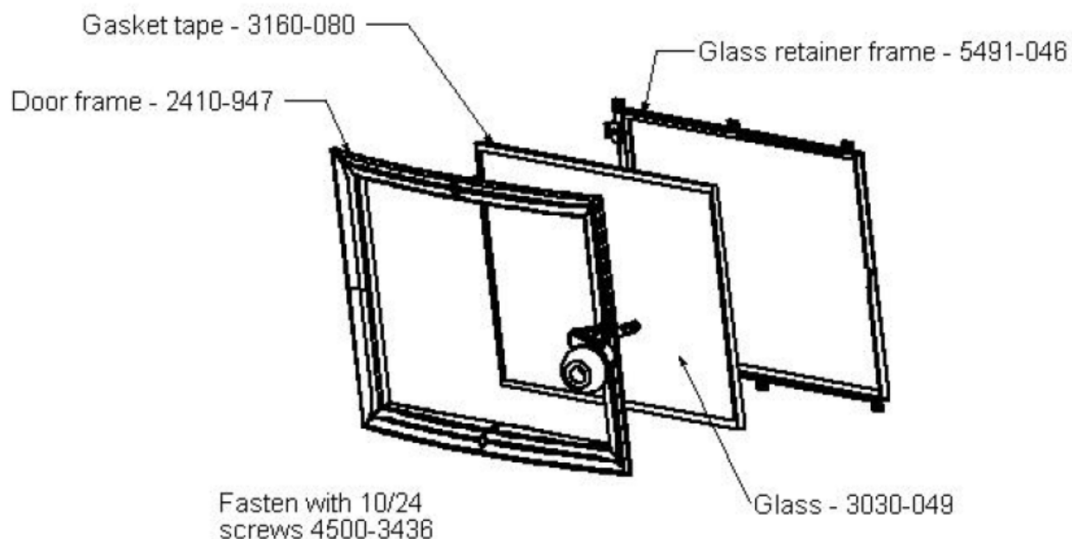
Assembly 94-58910

INCLUDED IN KIT:

- (1) 3030-049 Ceramic Glass
- 6.5' 3160-080 $\frac{3}{4}$ " flat Gasket Tape

TOOLS REQUIRED:

- Pair of Work Gloves
- Safety Glasses
- Penetrating Oil
- Scissors



BEFORE YOU BEGIN: *Always work on a cool stove.* The replacement ceramic glass has an infrared coating on one side. It will be identified with a manufacturers label, a white sticker, or the word "coated", on the infrared side. Be sure that this side is placed on the outside, away from the firebox.

PROCEDURE:

- 1) To replace the glass, you will need to remove the door from the insert. Remove the door by opening it to about a 45 degree angle. While supporting the door, remove the bottom hinge pin. Now lift the door straight up until the top hinge pin clears the door hinge.
- 2) Place the door face down on a flat surface protected with cardboard or an appliance blanket.

- 3) Apply penetrating oil (P B Blaster) to the screws holding the glass. Remove the screws and lift off the retaining frame.
- 4) Wearing work gloves, carefully remove the old glass from the door.
- 5) To gasket the new glass, peel back the paper backing on the tape provided with the kit, a little at a time and wrap it around the edge of the glass. The tape will overlap both the front and back sides of the glass. Trim if there is excess.
- 6) Place the new glass back into the door and replace the frame.
- 7) Put the door back onto the firebox, and re-install the hinge pins.