

# Technical Data Sheet

## GMI70 Model 8450 Blower Kit

*Part number 94-57500*

### Parts Required:

(1) 21389 C-Cast Baffle

### TOOLS REQUIRED:

Vice Grip Pliers  
Work Gloves

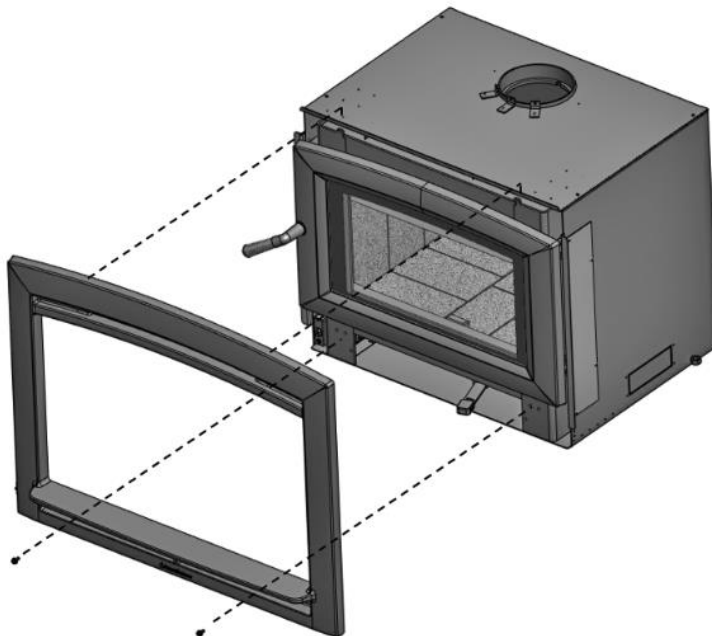
### Description:

The blower is located in the space below the firebox towards the back wall of your GMI70 wood burning fireplace insert. This kit provides the parts necessary to replace the blower in your insert. Read the instructions thoroughly before starting the repair.

**BEFORE YOU BEGIN: *Always work on a cool stove! Unplug the blower before servicing!***

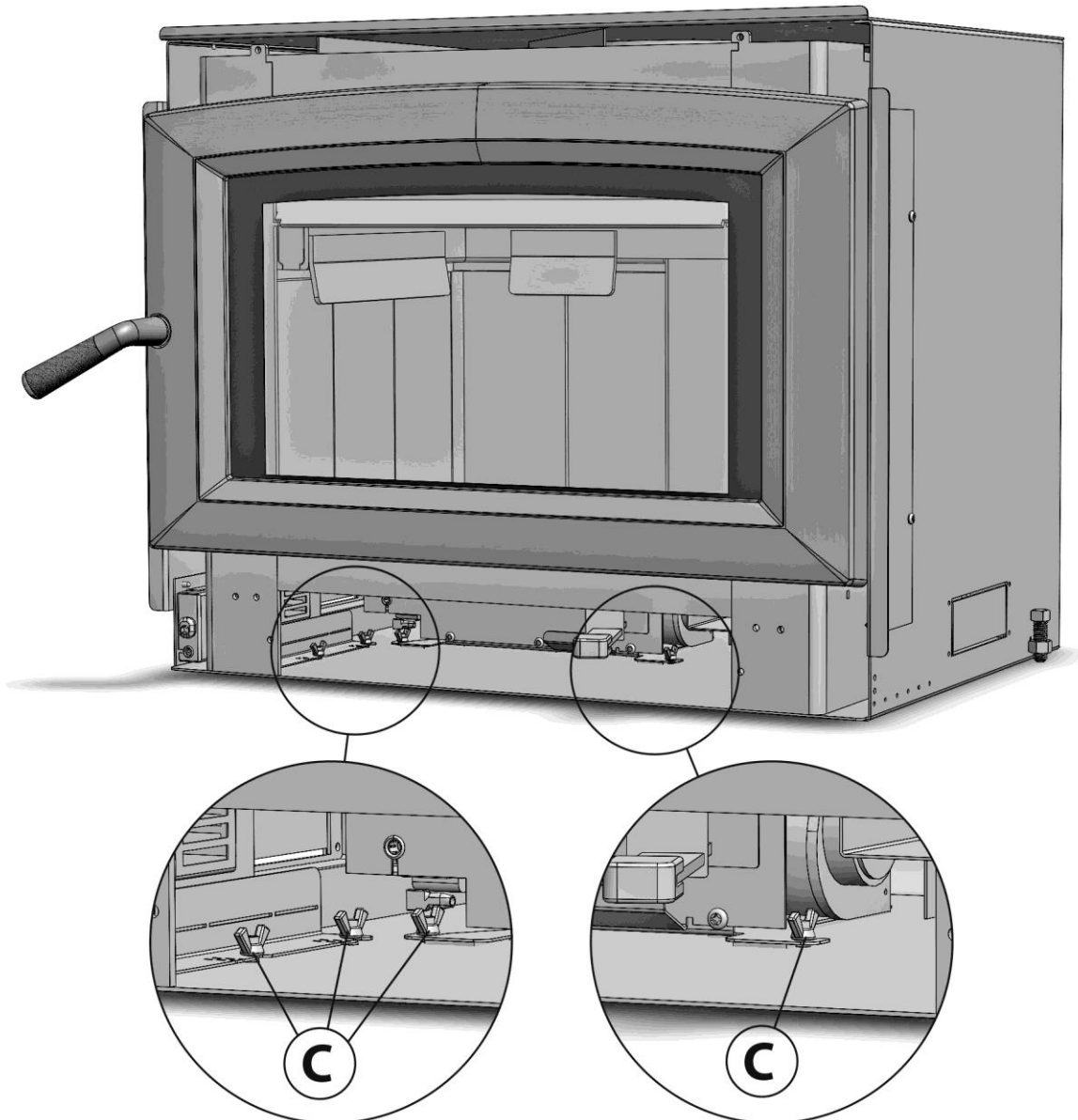
### Remove the front casting:

1. Loosen and remove two screws below the ash lip of the face plate.
2. Carefully remove the front casting from the fireplace insert. Tilt the frame up slightly, then LIFT the frame up and off the hanger tabs on top of fireplace insert. It may be easiest to open the door slightly and allow the door handle to swing out of the way.
  - a. Note that the blower switch is connected to the front casting. If it is possible to set the front casting close to the insert, the switch may remain attached while the blower is being installed

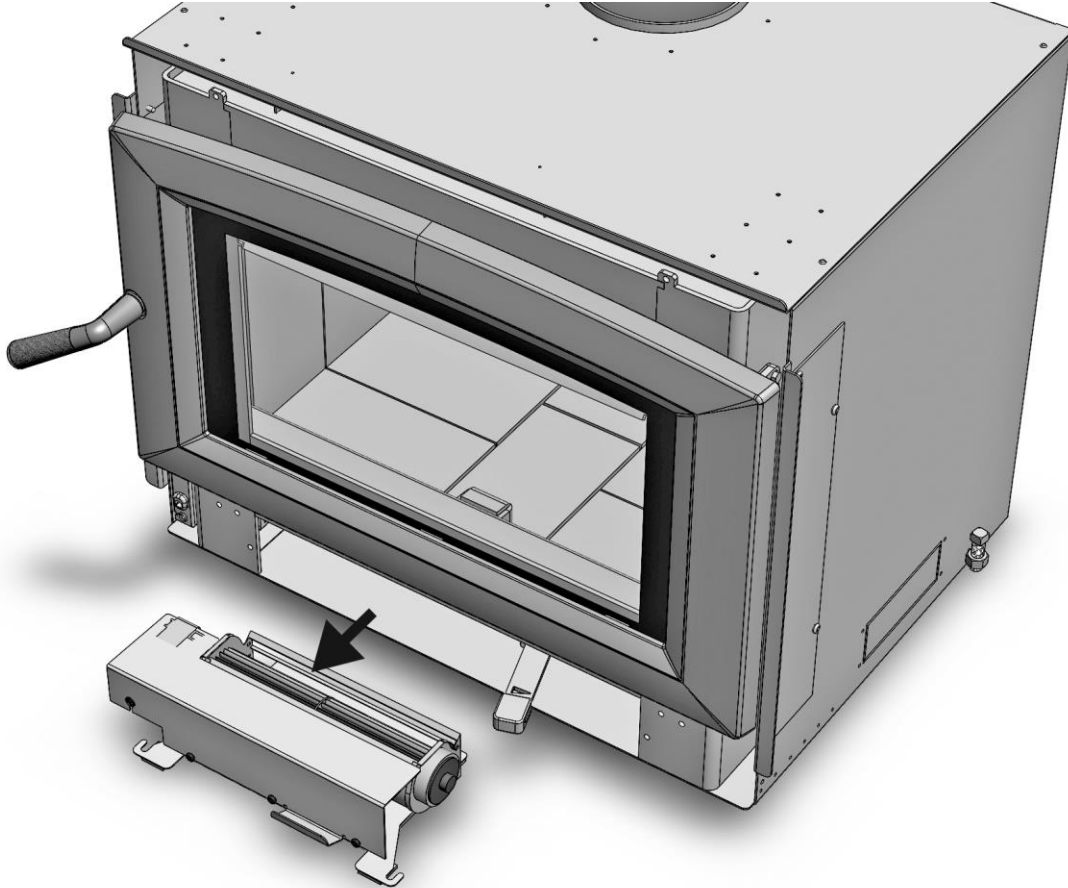


**Install the new baffle:**

3. Slightly loosen the 4 wing nuts (C) to free the blower assembly, snap disc assembly and wiring.



4. Carefully pull the blower assembly towards you to remove it from the convection air jacket. Disconnect the wires from the faulty blower once they are accessible. Replace the faulty blower with the new blower and reconnect the wires to the same points from which they were removed.



5. Re-install the blower and the front casting following steps 1-3 in reverse order.