

Technical Data Sheet

Bennington 8350 Side Door Lock Kit Installation

Assembly 93-70500

Publish Date: 1/9/2002

KIT CONTENTS:

- (1) Locking Plate (5935-035)
- (1) Black Washer (4600-0320)
- (1) ¼-20 x 1 Button Head Cap Screw (4500-1040)

TOOLS REQUIRED:

- Phillips Screwdriver
- 5/32 Hex Wrench

BEFORE YOU BEGIN: Work on a cool stove. You will need access to the side door of the unit.

PROCEDURE:

- 1) Open the side door by turning the handle counter clockwise. Use the 5/32 Hex Wrench to remove the set screw(s) from the handle crank. Remove the entire handle assembly – crank, latch, any springs, ball bearings and washers (Refer to figure 1).
- 2) Remove the striker plate by removing the (2) Phillips head screws (Refer to figure 1). Save the screws for later use.

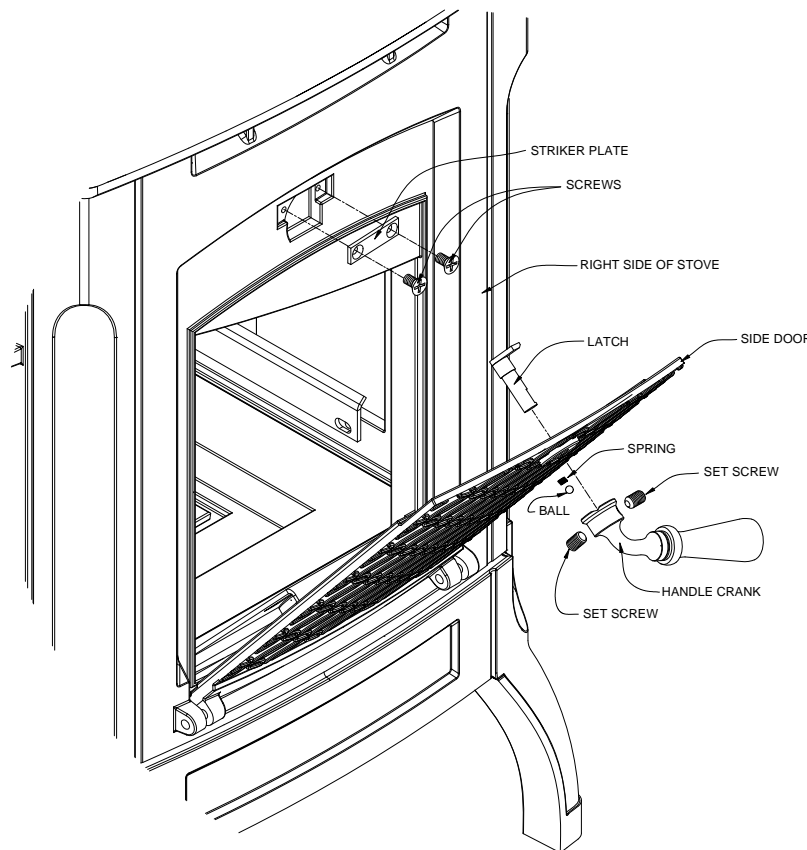


Figure 1: Spring and Ball Handle Shown ((yours may differ))

- 3) Install the locking plate. Use the (2) Phillips screws (that held in the striker plate) to attach the locking plate to the right side (Refer to figure 2).

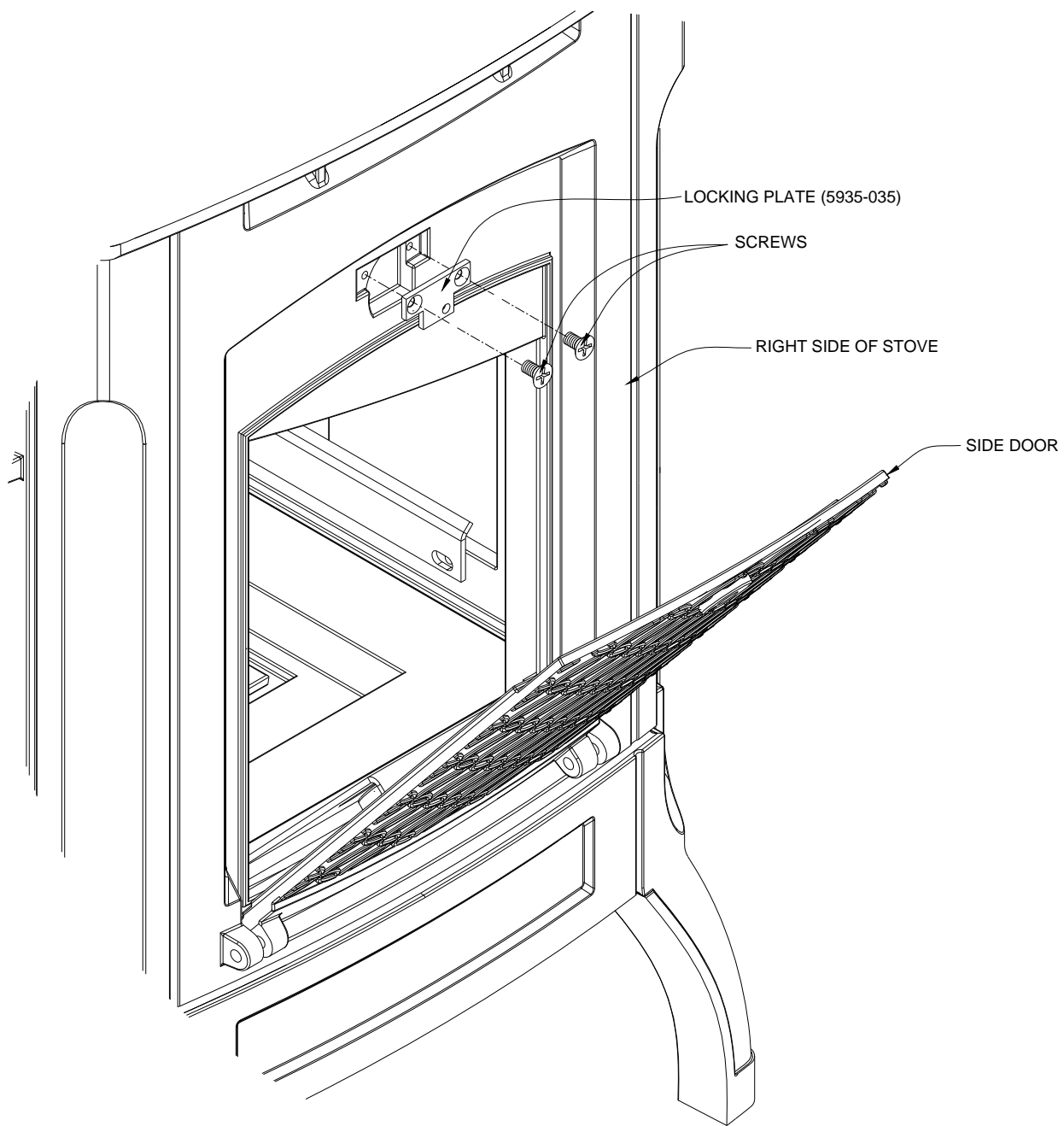


Figure 2: Locking Plate Detail

- 4) Insert the 1/4-20 x 1 button head screw through the washer, side door and thread into the hole in the locking plate. Using a 5/32 Hex Wrench, tighten the screw until the side door is secure (Refer to figure 3).

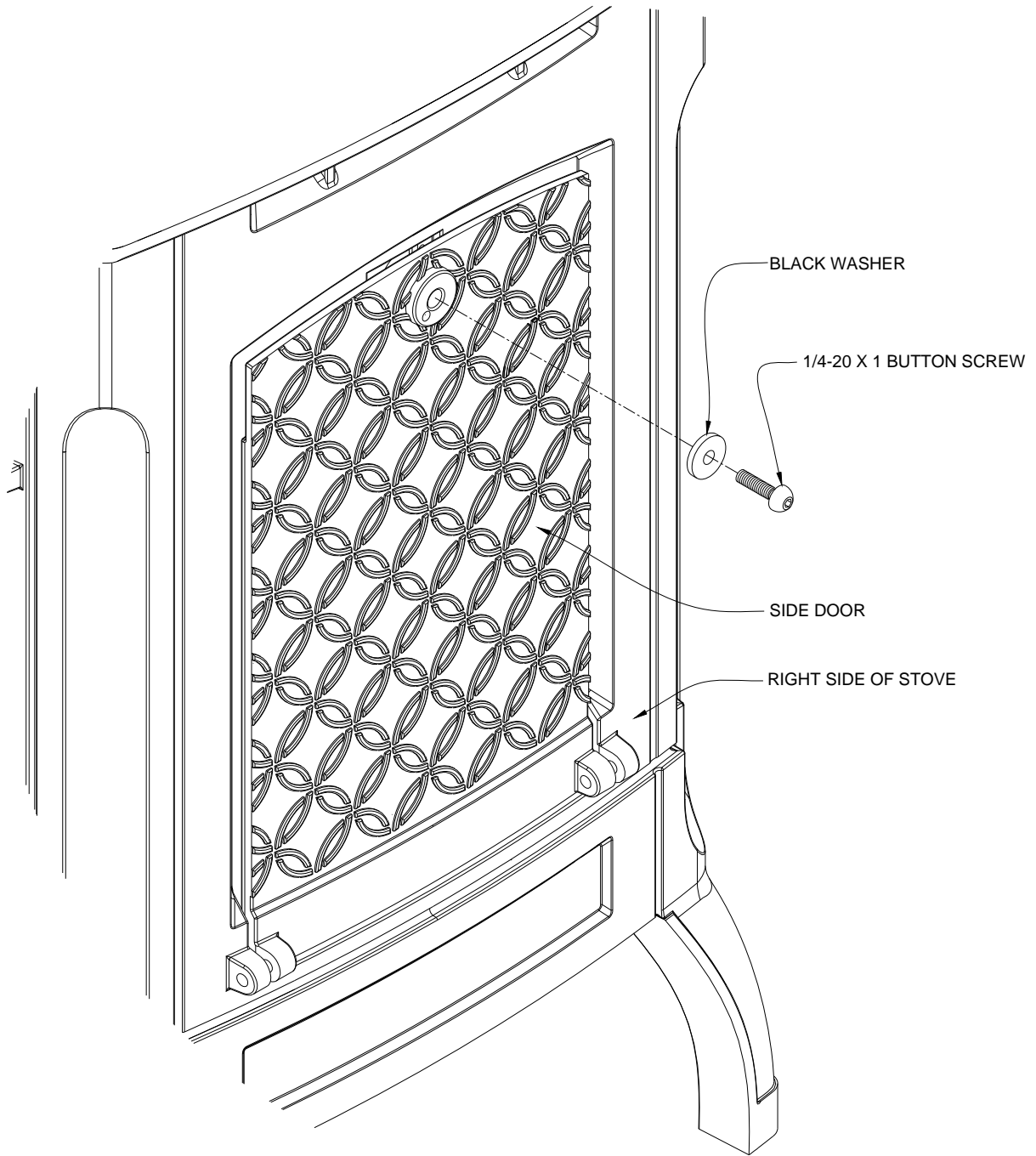



Figure 3: Button Head Screw & Washer Detail

 **Note:** When the door is secured closed the side clearances and floor protection requirements will change (reduce). Consult the owner's manual for the new requirements.