

# Technical Data Sheet

## Installation of the Manchester 8360 Gasket Kit *Assembly 93-58600*

### **KIT CONTENTS:**

<u>Quantity</u>	<u>Part Name</u>	<u>Part Number</u>
4 feet	1/2" non-core rope gasket	3110-051
10 feet	3/8" self-adhesive non-core rope gasket	3110-057
5 feet	1/4" self-adhesive non-core rope gasket	3110-056
1	2oz. bottle of gasket glue	99-090N

### **TOOLS REQUIRED:**

#2 Phillips Screwdriver  
3/8" Wrench  
7/16" Wrench  
5/32" allen wrench  
Pr. Work Gloves  
Penetrating Oil

### **BEFORE YOU BEGIN: *Install on a cool stove only!!***

This kit contains replacement gasket material for the **Front Door Gasket**, **Front Door Glass Gasket**, **Side Door Gasket** and the **Ash Door Gasket**. Please refer to the appropriate procedure section below. Any time liquid gasket adhesive is used to attach a stove gasket, the material should be allowed to harden on a cool stove overnight to prevent heat degradation of the liquid adhesive.

### **PROCEDURE:**

#### **For Replacing the Front Door Glass Gasket:**

The ceramic glass in the Manchester stove is directional due to an infrared coating on one side. When replacing the Front Door Glass Gasket, be sure to mark the glass as to which side faces out prior to removing it. This can easily be done by placing a small piece of masking tape on the outside surface before you begin.

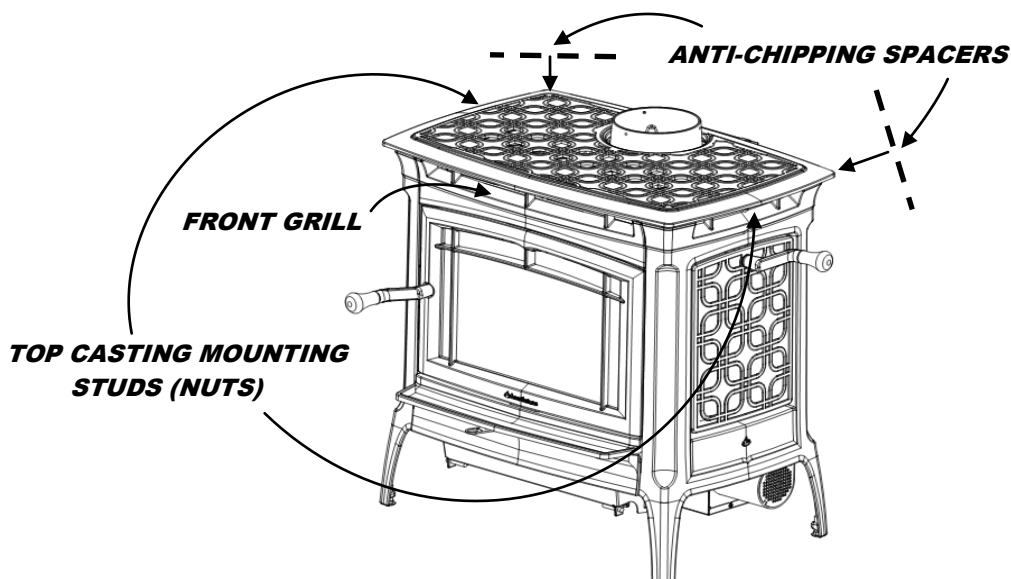
1. Prepare a smooth and sturdy work surface large enough to accommodate the front door of your stove. Cover the surface in cardboard or soft fabric to prevent damage to your door finish during this procedure.
2. Remove the two 10-24 acorn nuts and washers attaching the top casting to the body of the stove using the 3/8" wrench (see Figure 1 for mounting hardware locations and terminology).
3. Place two 10" pieces of 2"x4" board or thick cardboard strips on a diagonal between the top

casting and the top of the stove body at the back two corners (Figure 1). This is to prevent chipping on enamel stoves.

4. Gently lift the leading (front) edge of the top casting and prop it up from the firebox with an additional 10" piece of 2"x4". Be careful to position this prop in the center of the top casting leading edge and on the flat portion of the firebox top. Do not prop on firebox heat fins. The top casting should now be at an angle front high with the back edge resting on the stove body (separated by spacing material installed in step 1).
5. Look along the front edge of the now exposed firebox for the two Front Grill mounting studs. They will be located at the far right and left edges of the grill and will hold it to the body of the stove by sliding into two prominent cast slots on the firebox and fastening with a 1/4" nut and washer. Using the 7/16" wrench, loosen these two nuts. It is not necessary to remove them entirely.
6. Gently lift the Front Grill from the body of the stove and set it aside being careful not to damage the finish.
7. Open the front door to about 3/4 of full travel.
8. Stand facing the front side of the door with your right hand close to the hinged side. With an underhanded grip on your right hand, firmly grab the door face bottom rail. Grip the door face rail on the latch side with your left hand and gently but firmly raise the door straight up (vertically) until it is free from the hinge pivots. Once the door is free from the hinges it may move suddenly. Take care not to allow the door to contact the stove and potentially damage the finish.
9. Place the door face down on the prepared work surface.
10. With the door in this position, apply penetrating oil to each of the glass retention screws.
11. Using the #2 Phillips screwdriver, remove the 8 screws that hold the retaining clips and fiber pads to the inside of the door.
12. Remove the loose clips and fiber pads and set aside.
13. Carefully remove the glass panel and set aside.
14. Locate the end of the existing Front Door Glass Gasket. This should be situated between the hinge pivots on the hinge side of the door.
15. Grip one end of the existing 1/4" rope gasket and gently pull the entire unit from the door frame. Discard the used gasket material.
16. Thoroughly clean the gasket channel using steel wool or a small wire brush. Wipe the channel clean with damp rag or cloth.
17. Peel the paper backing from a short section of the replacement 1/4" self-adhesive rope gasket. Beginning at a position centered between the two hinge pivot projections, gently press the adhesive side of the rope gasket into the recessed gasket channel until it adheres to the floor of the groove (see Figure 3 for starting position). Continue peeling back the paper backing

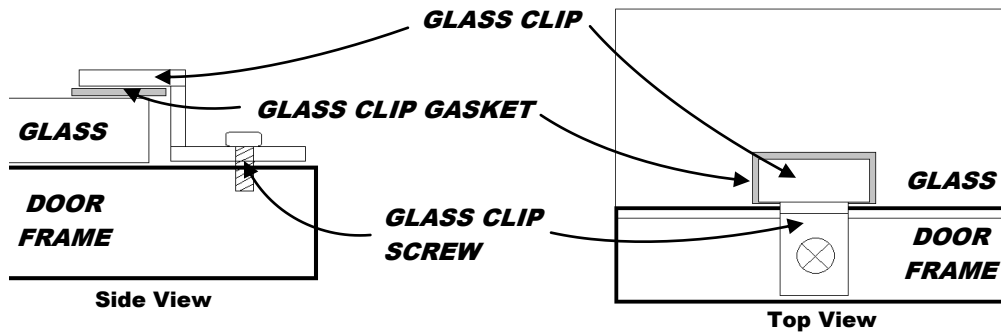
and pressing the new gasket adhesive side down into the gasket channel around the entire perimeter of the glass opening. Be careful not to stretch or twist the gasket material during this process. When you have returned to your starting point, cut the rope gasket at such a location that the ends meet with no gap. Discard any extra gasket.

18. Set the ceramic glass panel onto the door with the correct side facing the out. Center the glass on the opening.
19. Position the 8 fiber pads on the glass panel parallel to the glass edge at each retention clip mounting screw location.
20. Position the 8 retention clips over each fiber pad as shown in Figure 2.
21. Insert the 8 new screws through the glass retention clips and lightly snug the screws in a clockwise pattern around the perimeter of the door.
22. Once all screws are in place, fully tighten them again in a clockwise pattern making sure the fiber pads stay centered under the clips.
23. Return the door to the stove and gently slide the door hinges back over the hinge pins
24. Carefully slide the Front Grill studs back into the mounting slots, assure the washers are on the back side of the slot tabs (touching the nuts), and re-snug the retaining nuts.
25. Remove the prop device installed in step 4 above and gently lay the leading edge of the top casting back down on the top of the stove body.
26. Remove the wood or cardboard inserted in step 3 above and gently return the top casting to its original position on the stove body.
27. Reinstall and tighten the washers and acorn nuts removed in step 2 above.



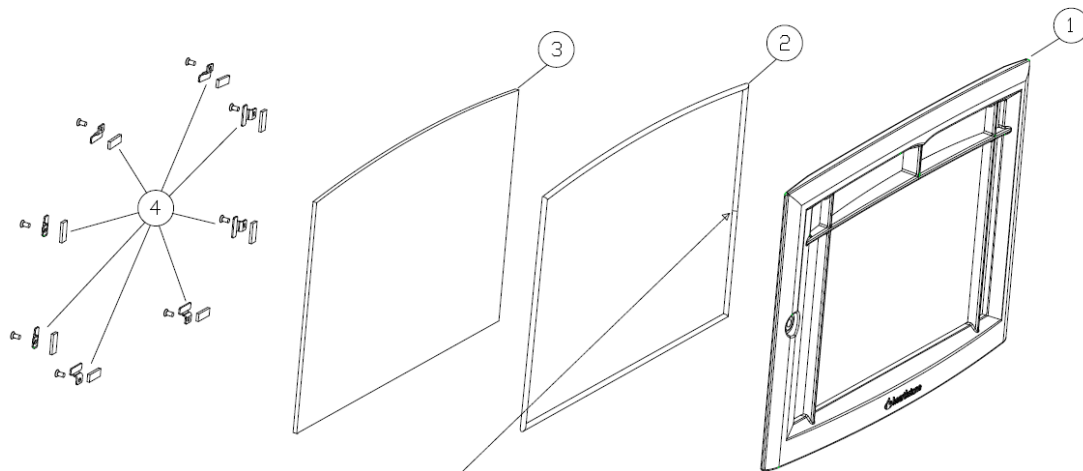
### **MANCHESTER STOVE TERMINOLOGY**

Figure 1



**GLASS CLIP/GASKET ORIENTATION**

Figure 2



Note:

Position glass gasket material in such a manner that the break is centered vertically on the hinge side of the door.

- ① 2310-610 Front Door
- ② 3110-056 1/4" self-adhesive non-core gasket
- ③ 3030-059 Ceramic Glass Panel
- ④ 3120-021 Glass Clips/Gaskets

**MANCHESTER GLASS GASKET**

Figure 3

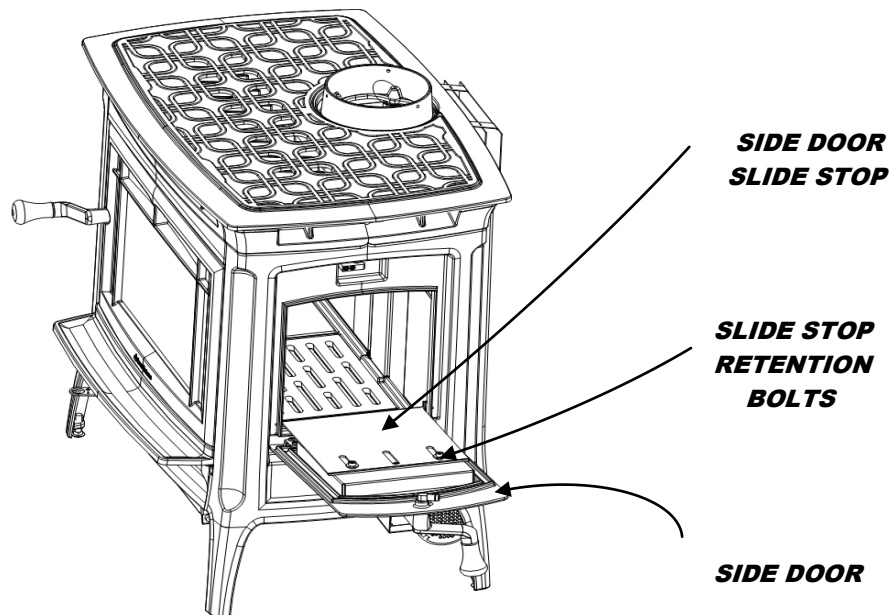
### For replacing the Front Door Gasket:

- 1) Follow steps 1-9 above.
- 2) Locate the end of the existing Front Door Gasket. This should be situated between the hinge pivots on the hinge side of the door
- 3) Grip one end of the existing 3/8" rope gasket and gently pull the entire unit from the door frame. Discard the used gasket material.
- 4) Thoroughly clean dried glue and/or gasket material from the gasket channel using steel wool or a small wire brush. Wipe the channel clean with damp rag or cloth.
- 5) Using the gasket adhesive bottle provided, apply a thin bead of the adhesive to the gasket channel. Ensure you do not over apply the glue as saturating the gasket will cause the rope to harden and shrink, thus preventing the new gasket from sealing. A continuous line of adhesive approximately 1/8" wide should be sufficient.
- 6) When the adhesive becomes "tacky", peel the paper backing from a short section of the replacement 3/8" self-adhesive rope gasket and begin at a position centered between the two hinge pivot projections on the hinge side of the door. Gently press the replacement gasket material into the recessed gasket channel until it contacts the adhesive on the floor of the groove. Continue peeling away the paper and pressing the new gasket into the gasket channel around the entire perimeter door. Be careful not to stretch the gasket material during this process and assure that the adhesive side stays down (do not roll the material). When you have returned to your starting point, use scissors to cut the rope gasket 1/2" longer than needed to make the ends meet. Push the last two inches of the freshly cut rope gasket end backward in the gasket channel until the ends perfectly meet. Press the end and any disturbed gasket material it into the adhesive. Save any extra gasket material.
- 7) Return to the **For Replacing the Front Door Glass Gasket** section at the beginning of this document and complete steps 23 through 27.
- 8) Check the Front Door operation to assure proper alignment then close the door and allow the adhesive to harden overnight.

### For replacing the Side Door Gasket:

- 1) Open the Side Door until it stops.
- 2) Hold the door slightly up from the stops (closed about 1/2" from fully open) and using a 5/32" allen wrench remove the two shouldered bolts and washers from the Side Door Slider Stop (see Figure 4). Be careful during this step as the shouldered bolts are responsible for providing the hard 'stop' on the side door. With these bolts removed the door may fall open to an extent that damage to the stove finish can occur. Gently lower the Side Door until it rests against the hinges. **Be careful to not put any downward pressure on the Side Door after removing the Slider Stop.** You may want to prop the door slightly up from fully open with an appropriate length of wood during the remaining steps of this procedure.

- 3) Carefully close the Side Door Slider Stop by pivoting it away from the open Side Door and gently lay it into the firebox.
- 4) Locate the break in the Side Door Gasket (directly between the hinges). Firmly grab one end of the rope gasket and pull it from the gasket channel.
- 5) Thoroughly clean dried glue and/or gasket material from the gasket channel using steel wool or a small wire brush. Wipe the channel clean with damp rag or cloth.
- 6) Using the gasket adhesive bottle provided, apply a thin bead of the adhesive to the gasket channel. Ensure you do not apply enough glue to saturate the gasket as it will cause the rope to harden and shrink, preventing the new gasket from sealing. A continuous line of adhesive approximately 1/8" wide should be sufficient.
- 7) When the adhesive becomes "tacky", peel the paper backing from a short section of the replacement 3/8" self-adhesive rope gasket and begin at a position centered between the two hinge pivot projections on the hinge side of the door. Gently press the replacement gasket material into the recessed gasket channel until it contacts the adhesive on the floor of the groove. Continue peeling away the paper and pressing the new gasket into the gasket channel around the entire perimeter door. Be careful not to stretch the gasket material during this process and assure that the adhesive side stays down (do not roll the material). When you have returned to your starting point, use scissors to cut the rope gasket 1/2" longer than needed to make the ends meet. Push the last two inches of the freshly cut rope gasket end backward in the gasket channel until the ends perfectly meet. Press the end and any disturbed gasket material it into the adhesive. Discard any extra gasket material.
- 8) Return the Side Door to a position parallel to the floor and gently lay the Side Door Slider Stop back onto the Side Door inner surface.
- 9) Align the slots on the Side Door Slider Stop with the inner surface of the Side Door by slightly closing the Side Door until the screw holes are visible in the slots on the Side Door Slider.
- 10) Reinstall the Side Door Slider Stop bolts and washers.
- 11) Check Side Door operation to assure proper alignment then close the door and allow the adhesive to harden overnight.



### **MANCHESTER SIDE DOOR ASSEMBLY**

Figure 4

#### **For replacing the Ash Door Gasket:**

- 1) Open the Ash Door fully.
- 2) Locate the end of the existing gasket situated between the two hinge pivots on the back edge of the Ash Door. Firmly grab one end of the rope gasket and pull it from the gasket channel.
- 3) Thoroughly clean dried glue and/or gasket material from the gasket channel using steel wool or a small wire brush. Wipe the channel clean with damp rag or cloth.
- 4) Using the gasket adhesive bottle provided, apply a thin bead of the adhesive to the gasket channel. Ensure you do not apply enough glue to saturate the gasket as it will cause the rope to harden and shrink, preventing the new gasket from sealing. A continuous line of adhesive approximately 1/8" wide should be sufficient.
- 5) When the adhesive becomes "tacky", begin at a position centered between the two hinge pivot projections on the hinge side of the door. Gently press the replacement 1/2" gasket material into the recessed gasket channel until it contacts the adhesive on the floor of the groove. Continue pressing the new gasket into the gasket channel around the entire perimeter door. Be careful not to stretch or roll the gasket material during this process. When you have returned to your starting point, use scissors to cut the rope gasket 1/2" longer than needed

to make the ends meet. Gently push the last two inches of the freshly cut rope gasket end backward in the gasket channel until the ends meet perfectly. Press the ends and any disturbed gasket material back into the adhesive. Discard extra material.

- 6) Close the Ash Door and allow the adhesive to harden overnight.