



TECHNICAL DATA SHEET
ASSEMBLY #93-57000
INSTALLATION OF THE CHAMPLAIN Model 8300 BLOWER

The Champlain blower comes assembled. With the blower you will receive a single screw, tie wrap, and 3/8" wire clip. Review these instructions before assembly. The procedure, parts requirements, and tools will vary depending on the age of the stove. To determine the proper procedure you will need to have the serial number of the stove, which can be located on the lab plate on the back of the stove.

Tools needed for the installation:

Phillips screwdriver
Flat screwdriver
Strain relief pliers or vise grips
Hammer.

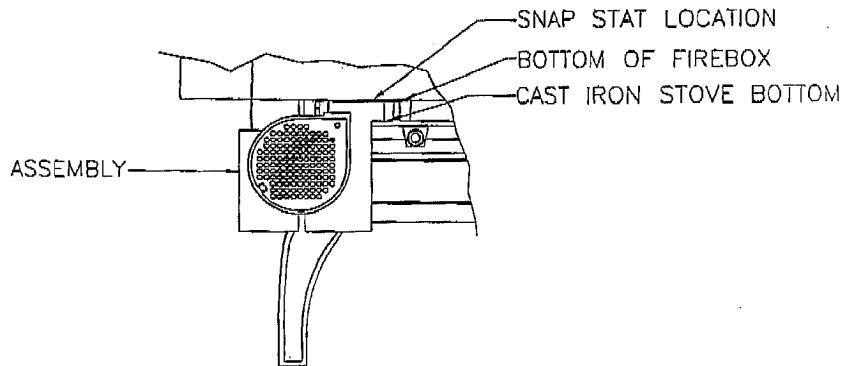
Zip Bag Contents:

#7200-110: Strain Relief (1)
#4500-3435: 8-32 x 3/8" Black Oxide Bolt (1)
#7000-123: 3/8" Strap Loop (1)
#7000-111: 4" Cable Tie (1)

Electrical Grounding Instructions: *This blower is equipped with a three-pronged (grounding) plug. Use only a properly grounded three-prong receptacle outlet. Do not cut or remove the grounding prong from the plug.*

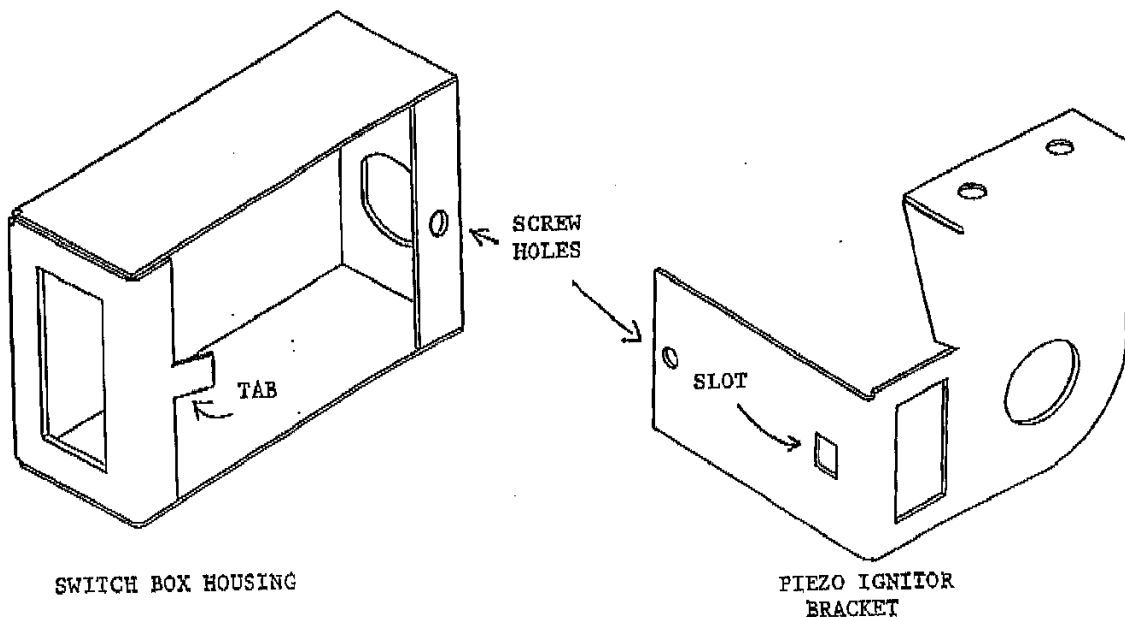
Procedure For Units With Serial Numbers Above 2045:

1. Place the blower behind the stove. Locate the three Phillips screws in the in the back bottom of the stove and remove the center screw, Slide the blower unit into position so that the temperature sensing snap switch is sandwiched between the cast iron base and the steel bottom (as illustrated below). Maneuver the blower so that the mounting tab is aligned with the screw hole and secure the unit by replacing the screw. Push the switch box under the stove toward the front of the stove.





2. Access the controls to the stove by pulling the ash lip/valve access door down into the open position. Locate the bracket that holds the Piezo igniter (see Illustration), Pull the switch box forward and attach it to the Piezo bracket by sliding the tab on the box into the slot on the Piezo bracket. Before securing the box, wind up the excess wire and tie it with the tie wrap provided with the kit. Reposition the box onto the bracket, align the holes in the two pieces, and secure them with the 8-32 screw provided. NOTE: Removing the nut on the back of the piezo igniter so the piezo can be pulled out of the way can increase access to the screw hole.



Procedure For Units With Serial Numbers lower than 2045:

1. Follow the instructions to attach the blower in step one.
2. Referring to the illustration, locate the switch plate blank on the top of the switch box on the stove. Punch the blank out with a hammer and screwdriver. The blank can remain in the bottom of the box. If you prefer to remove the blank, the switch box can be removed by unscrewing the 2 Phillips screws that retain it to the top casting of the stove. To separate the switch box pieces, remove the 3rd Phillips screw.
3. Remove the strain relief and 3 wire set from the switch box provided with this kit, saving the strain relief and switch for reuse and discarding the box. Push the 3 wires with the connectors through the round hole in the bottom of the switch box on the stove and pull them up through the switch plate hole in the top of this box.
4. Install the wires back into the switch. Note that the switch has terminals numbered 1 to 3. Install the brown wire into the #1, the yellow and green striped wire into #2, and the blue wire

HearthStone Quality Home Heating Products

317 Stafford Ave., Morrisville, VT 05661, www.hearthstonestove.com

C:\Documents and Settings\r\lahos\My Documents\Hearthstone\Technical Manual\TECH\Champlain #8300\93-57000 Champlain Blower Installation.doc



into #3. Install the switch into the switch box so that the #1 terminal with the brown wire lines up with the HI marking on the label already on the switch box (yellow/green will be off and blue will be low). Squeeze the flanges on the bottom of the switch so that it snap fits into the switch box.

5. Place the strain relief onto the cord just below the switch box. Using strain relief pliers (or vise grips) compress the strain relief until it fits into the hole in the bottom of the switch box.

6. Remove screw A (see illustration) and place the wire clip over the switch cord to hold it in place. Secure it by returning the screw back into place.

