



Technical Data Sheet

Installation of the Heritage 8021 Slider Replacement Kit *Assembly 90-87210*

Publish Date: 10/19/2005

KIT CONTENTS:

- (1) Slider (5902-160)
- (1) #10 Black Washer (4600-1210)
- (1) #10-24 x 1/2" Pan Head Screw (4500-1876)

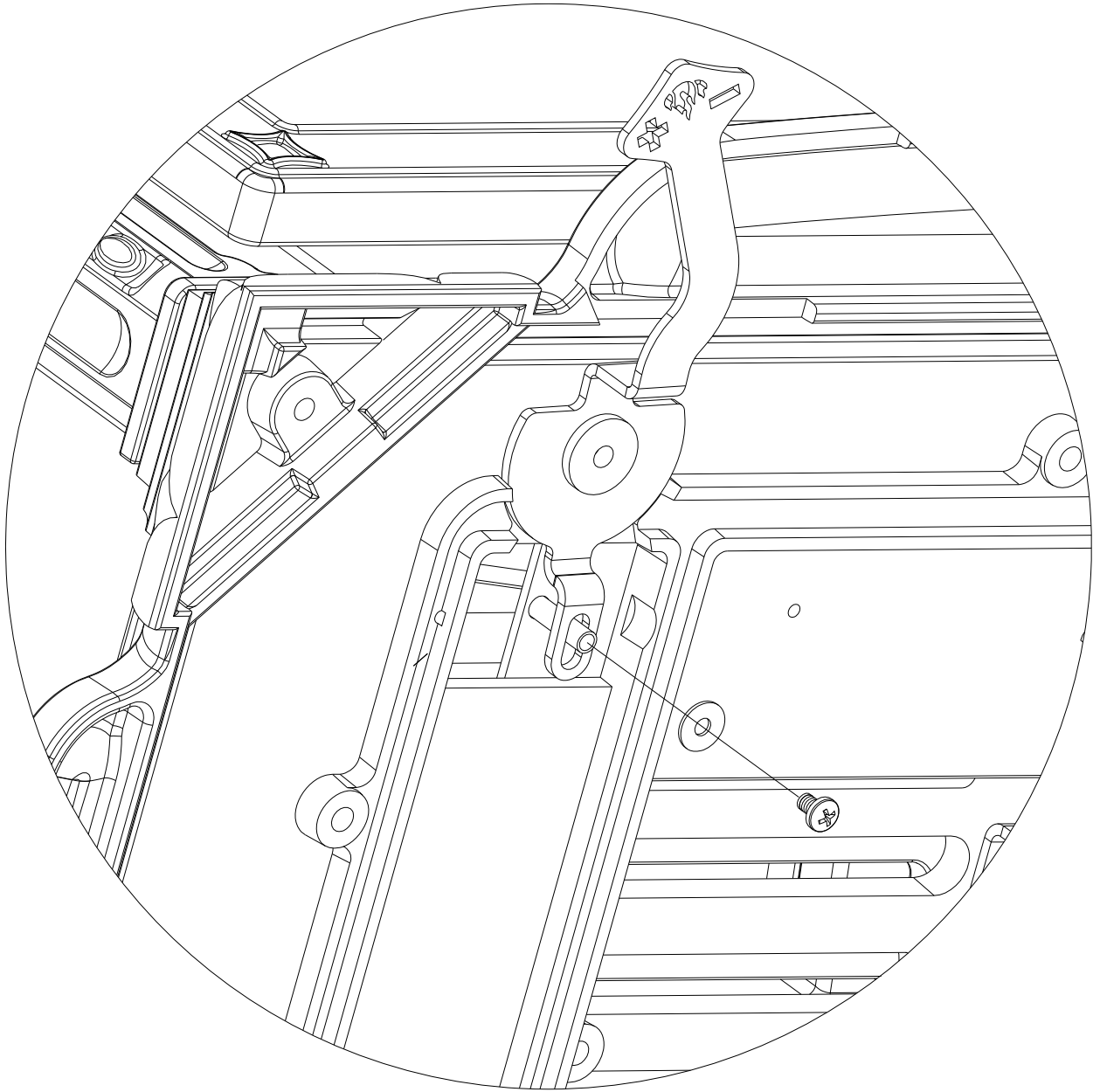
TOOLS REQUIRED:

- Phillips screwdriver
- 3/8" wrench or socket

BEFORE YOU BEGIN: Work on a cool stove. You will need access to the side door of the unit.

PROCEDURE:

- 1) Clean out the ash-pan and remove the ash-pan tray.
- 2) Remove the ash-pan assembly by removing the six 1/4"-20 bolts using a 3/8" wrench or socket.
- 3) Insert the Slider (air shutter) into the opening in the bottom of the stove (toward the front left corner) with the rod down and to the left (see Figure #1).
- 4) Ensure that the rod protrudes through the slot in the air control handle (as shown in Figure #1), and slides freely from left to right when the air control is moved.
- 5) Insert the #10-24 x 1/2" pan head screw through the washer and thread it into the threaded hole in the slider rod and tighten using a Phillips screwdriver.
- 6) Install the ash-pan and tray using the reverse procedure of steps one and two.



(The right front leg is shown removed for a better view of the air shutter installation)

Figure 1