



Technical Data Sheet

Heritage 8022 Front Door Reversal Kit

Assembly 90-73229

KIT CONTENTS:

- (1) Latch Catch, Left (5030-060)
- (1) Latch Catch, Right (5022-070)
- (1) $\frac{3}{8}$ " Flat Gasket, 5 $\frac{1}{2}$ ft. (3160-392)

TOOLS REQUIRED:

- Small needle nose pliers
- #2 Phillips Screwdriver

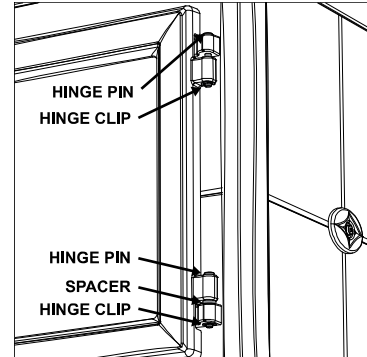
Procedure to reverse the front door of your Heritage 8022

The front door of your Heritage 8022 can be reversed (from hinged at the right to hinged at the left, for example) for loading and cleaning convenience. Please read through these instructions to familiarize yourself with the process before beginning work. Owners of stoves with the enamel finish should note that the front door will merit careful handling so as not to chip the enamel. If necessary, please consult your dealer for assistance. A helper to hold the door while the hinge pins are removed and installed is recommended.

It's best to begin by observing carefully how the front door is hung on its hinges, how the handle is used to close the door, and how the parts are arranged. Generally, the door will be reversed by placing the components in their exact mirror orientation. Only one part, the latch catch, needs to be exchanged for this procedure.

1. Remove the Door:

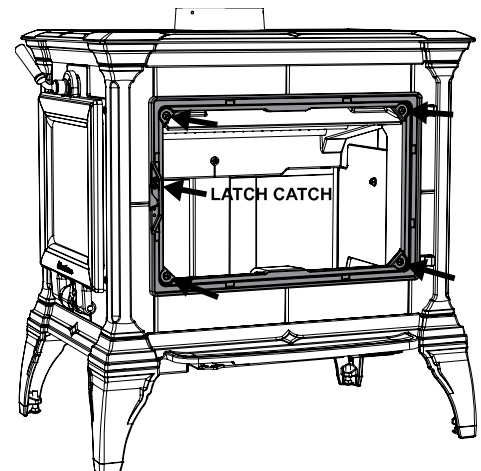
- a. Remove the Retainer Clips from the bottom of both Hinge Pins with your needle nose pliers.
- b. With your helper holding the door about 1/4 open, carefully remove the hinge pins by pushing up from below and by grasping the head and pulling up and out. The pliers can be helpful to remove the pins; consider wrapping the tips with tape to prevent scratches on the stones.
- c. Note the lower hinge has a spacer between the door and the frame. Save all spacers, hinge pins and clips for reinstallation. Note, some versions have additional spacers above and below the hinges.



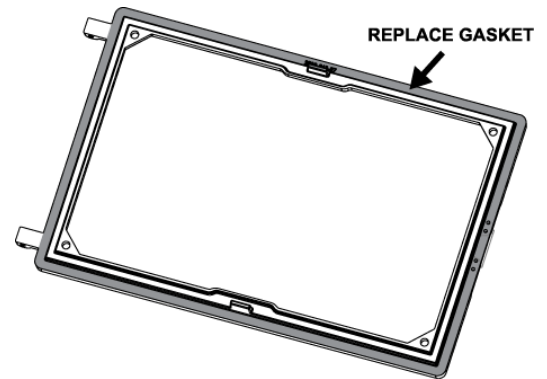
2. Remove the latch catch by removing the 2 small flat head screws.

3. Remove the door frame:

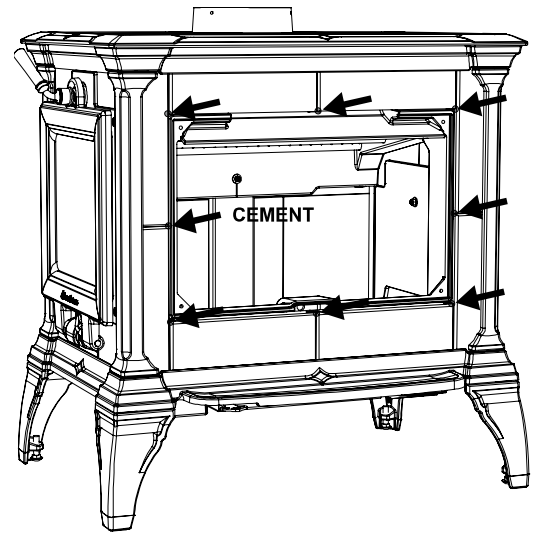
- a. Loosen the 4 large Philips round head screws in the corners.
- b. Gently pull the door frame away from the stove.
- c. If the gasket has adhered to the cement between the stones, carefully pull it free.



4. Replace the gasket:
- Remove the original gasket from the back of the door frame.
 - Clean the surface of any cement bits.
 - Remove the adhesive backing from the new gasket included in the kit and apply it to the door frame to replace the original gasket. Trim any excess gasket once the two ends meet.

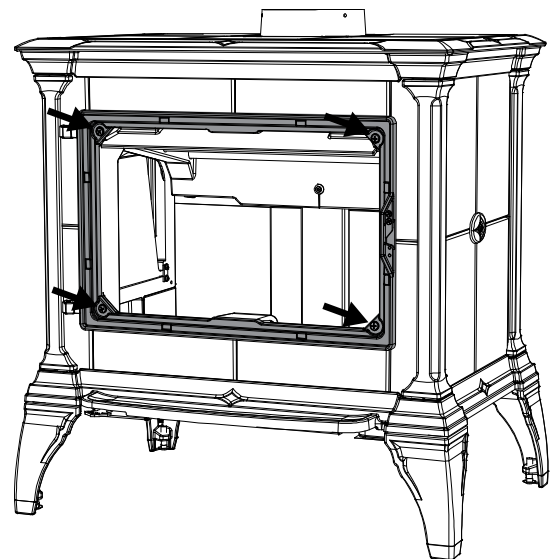


5. Clean old cement:
- If there is any cement protruding in the locations shown in the figure to the right, carefully scrape it until its flush with the stones. Also carefully remove any bits of the old gasket remaining. Avoid marring the stones in areas that will not be covered by the frame.

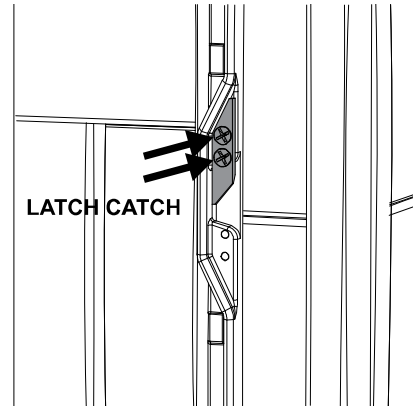


Install the door frame in the new position:

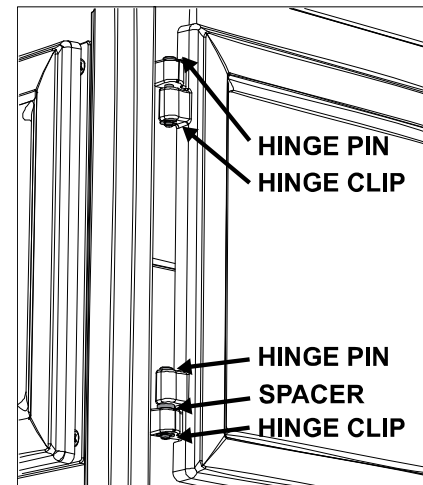
- Rotate the door frame so the hinges are in the new correct position.
- Start the 4 Philips round head screws, tightening among them to draw the frame into position evenly. Tighten the screws fully to hold the door frame very securely in position.
- There should be little to no gap between the door frame and cast iron part you are attaching it to.



6. Install the new latch catch:
- Choose the latch catch which is the mirror opposite of the original latch catch.
 - Install the new latch catch in the 2 upper holes of the door frame using the 2 flat head screws.
 - The replacement latch catch should be in the high position and sit flush against the metal surface it mounts to, with the flat head screws fitting into the countersunk holes in the latch catch.



7. Reinstall the front door.
- Place the spacer(s) on the lower door frame hinge.
 - Have your helper support and steady the door in its position.
 - Install the lower hinge pin, being sure it passes through the spacer between the hinges.
 - Install the upper hinge pin.
 - Reinstall both hinge clips with the needle nose pliers.



8. The door should swing freely. The latch should close with the door handle in the down position.

WARNING- If the door does not close correctly as before, carefully review and correct as necessary. **DO NOT** under any circumstance burn your stove until the door latches and seals properly. If necessary, consult your dealer for assistance.

