

Technical Data Sheet

Castleton 8031 Canadian Door Handle Kit Installation

Assembly 90-71310

INCLUDED IN KIT:

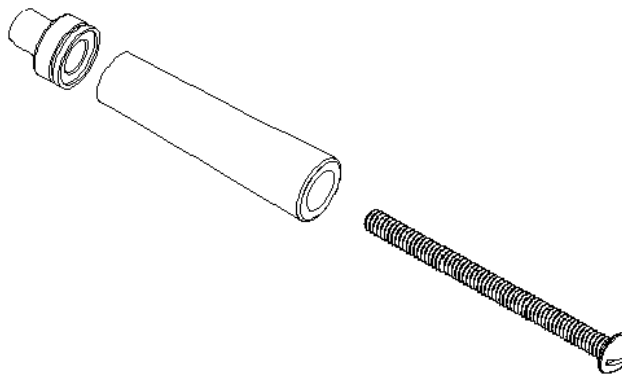
- (1) 4500-3434 8-32 x 3/8" Machine Screw
- (1) 4500-1680 1/4"-20 x 3-1/4" Handle Screw
- (1) 5031-045 Handle Holder Bracket
- (1) 5400-2204 Handle Adaptor

TOOLS REQUIRED:

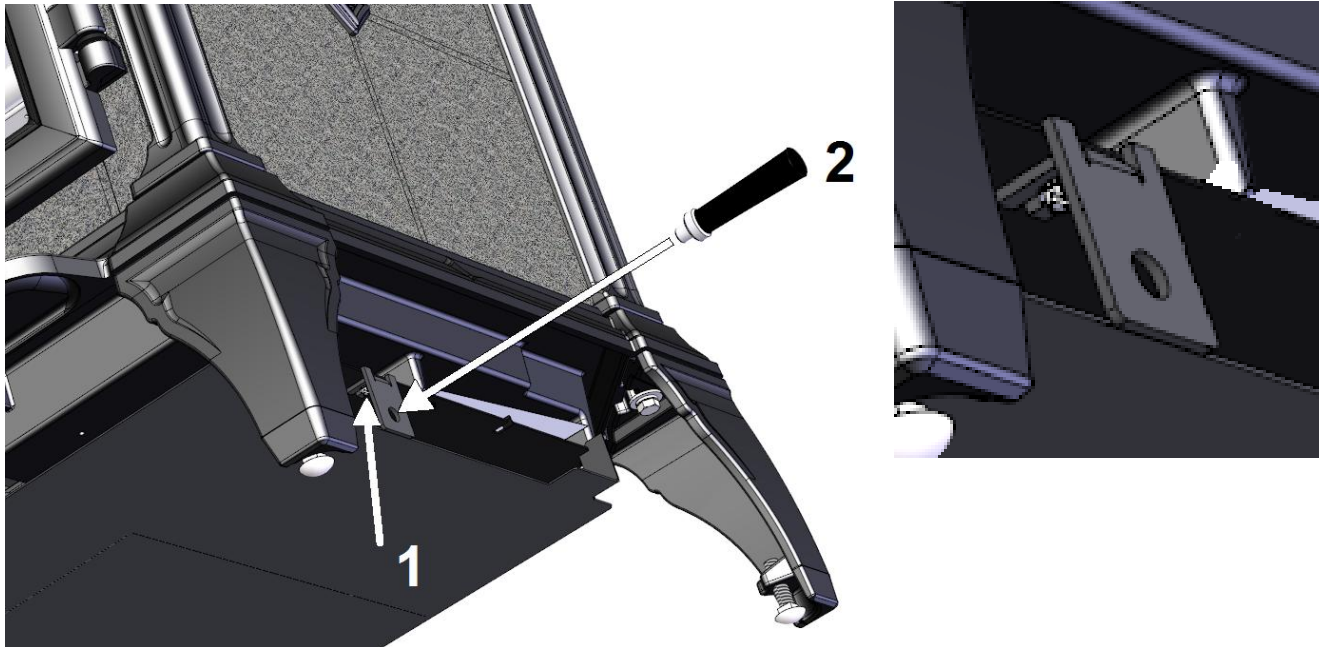
- Flat Blade Screwdriver
- 1/4" nut driver

Before You Begin: Work on a cool stove. Due to handle temperature requirements in Canada, the Castleton 8031 must be equipped with detachable handles. The purpose of this kit is to use one of the existing wooden handles shipped inside the Castleton and a provided adaptor to allow the handle assembly to be manually inserted in the existing front door latch and Cat bypass handle mechanisms for operation. After this momentary use, the handle can then be easily removed and stored in a cooler location during long-term stove operation.

- 1) Uncrate and unwrap your stove.
- 2) Open the front door and retrieve the bag containing the two black wooden handle assemblies.
- 3) Remove one black wooden handle from the bag and set aside. Keep the remaining handle as a spare.
- 4) Using the 4500-1680 screw provided in this kit, attach the black wooden handle to the 5400-2204 Handle Adaptor as shown below:



- 5) Orient the 5400-2204 Handle Adaptor under the right hand side of the stove as shown in Figure 1 step 1 below and attach to existing hole in top layer of the bottom heat shield with 4500-3434 8-32 x 3/8" machine screw using the 1/4" nut driver.8031



- 6) When the handle is not in use, manually insert it in the Handle Holder Bracket. Only insert this handle assembly into the front door handle or Cat bypass handle momentarily for operation and return to the Handle Holder Bracket

****CAUTION**** *Leaving the removable handle mechanism in either the front door or cat bypass handles long term during stove operation use is a violation of the safety testing laws in Canada.*