

Technical Data Sheet

Mansfield 8010/8011/8012, Heritage 8020*, Homestead 8570, Craftsbury 8390/8391, Shelburne 8370/8371 Blower** **Installation Instructions** *Assembly 90-57000*

*Fits the Heritage model 8020 only – do not use on model 8021/8022/8023

**If installing this blower on a Craftsbury 8390/8391, Please refer to page 4

INCLUDED IN KIT:

- (1) Blower Assembly with Housing
- (2) 4500-2180 10-24 x 2" Fully Threaded Rods
- (2) 3900-050 Rubber Tabs
- (1) 7200-602 Control Knob

TOOLS REQUIRED:

Homestead - Phillips Screwdriver
Shelburne - Phillips Screwdriver
Craftsbury - Phillips Screwdriver
Heritage - None
Mansfield - None

INCLUDED FOR THE HOMESTEAD &SHELBURNE ONLY:

- (4) 4500-3436 10-24 x 3/8" screws
- (2) 5950-210 Steel Mounting Clips
- (2) 4500-2198 10-24 x 4 1/2" Fully Threaded Rods

READ THESE INSTRUCTIONS ENTIRELY BEFORE INSTALLING THE BLOWER.

The procedure will vary slightly when installing on different stove models.

IMPORTANT NOTE: The blower must be used in conjunction with the proper rear heatshield for the model stove installed. For the Mansfield and Heritage, use item number 90-57200: Mansfield/Heritage Rear Heatshield; for the Homestead, use item number 95-68700: Homestead Rear Heatshield; For the Shelburne, use item number 93-68700: Shelburne Rear Heatshield. *Use this blower only with the products intended and which have markings to indicate such use.* The blower will force air up through the convection chamber that is formed between the back of the stove and heatshield. The lip on the top of the heatshield will then direct the heated air out across the top of the stove.

ELECTRICAL GROUNDING INSTRUCTIONS: This blower is equipped with a three-pronged (grounding) plug for your protection against shock hazard, and must be plugged into a properly grounded three-prong receptacle. Do not cut or remove the grounding prong from the plug.

INSTALLATION PROCEDURE:

WARNING: DISCONNECT THE BLOWER FROM ANY SOURCE OF POWER WHEN INSTALLING, REMOVING, OR SERVICING IT IN ANY WAY.

- 1) The blower hangs on the back of the stove with the adjustment feet standing on the hearth. Turn the rods into the threaded holes located on the bottom of the blower housing, until approximately $\frac{1}{2}$ inch of the thread is in the blower housing. Push the rubber feet onto the exposed ends of the threaded rods.
 - a. **Note:** When installing the blower on to a freestanding Homestead with the taller (6") legs, or the Shelburne, use the longer (4-1/2" rods). Use the 2" threaded rods with the Mansfield/Heritage or the Homestead with the hearth mount (4") legs.

- 2) Locate the hanging clips on the top of the blower.
 - a. When installing the blower on the Mansfield or Heritage, position the clips so that they fit between the soapstone and the bottom casting on the back of the stove. When properly positioned, the snap switch will rest against the soapstone (the snap switch must contact the stone to ensure proper operation of the blower). Turn the threaded rods to level the blower and ensure the proper position of the snap switch.

 - b. When installing the blower on the Homestead or Shelburne, you must first attach the mounting plates. To do this, first move the 4 factory installed screws on the back of the stove (2 in the lower left corner/2 in the lower right corner). Attach one mounting plate on each side and affix them with the 10-24 x 3/8" screws provided with kit – do not tighten. Slide the hanging clips from the blower down into these clips. Turn the threaded rods to level the blower, making certain the snap switch is in contact with the back of the stove. Tighten the screws that hold the mounting plates on the back of the stove.

- 3) Plug power cord into a grounded, 120v, 60-cycle 3-prong receptacle.

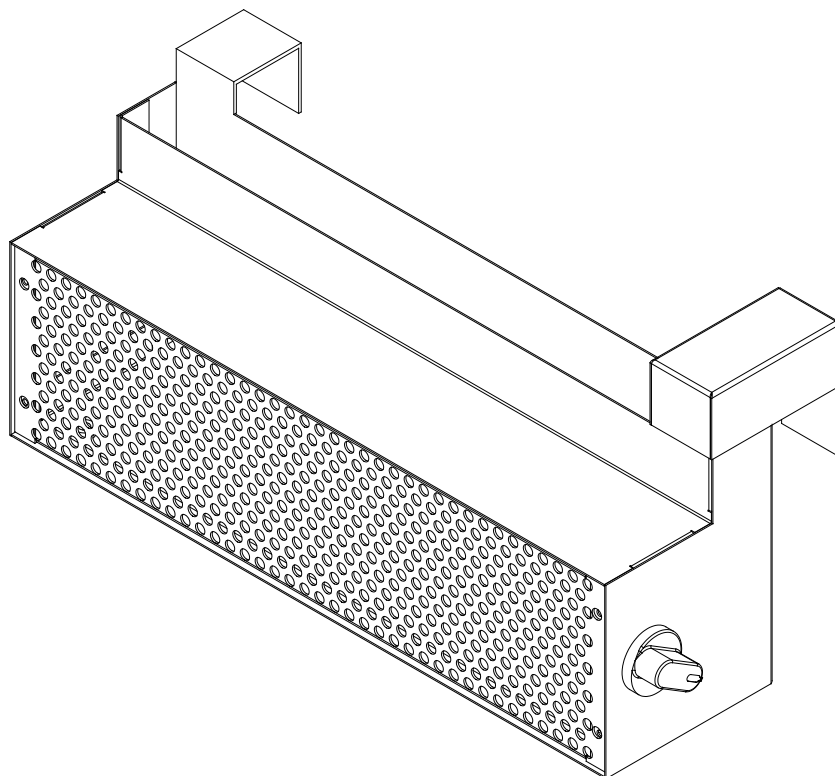


Figure 1

IMPORTANT NOTE: Follow the instructions for the installation of the rear heat shield.

CRAFTSBURY 8390/8391 PROCEDURE:

When installing the blower on the Craftsbury 8390/8391, install it only in conjunction with the accessory rear heatshield (kit 93-68900) for mounting, and in order to force the heated air forward over the stove's top.

- 1) Install the rear heatshield brackets and the lower heatshield extension plate as described on the rear heatshield instructions **before** installing the rear heatshield. Attach the blower to the lower part of the rear heatshield bracket. Secure with a #2 Phillips screwdriver. If the rear heatshield is already installed, remove it before installing blower.
- 2) Loosen the screws that mount the lower heatshield extension.
- 3) With the blower's perforated screen facing away from the stove back, position the blower so that the screws securing the lower heatshield extension pass through the key holes in the back of the blower, then push down to catch the screws.
- 4) Tighten the screws. The snap switch should now touch the stove. If the snap switch does not touch, simply bend the bracket until contact is made with the stove. If required, remove the blower and make the appropriate corrections.
- 5) Attach the heatshield.

BLOWER OPERATION:

The blower is activated when the snap switch heats up (about 120 degrees F). It will take several minutes for the heat of the stove to activate the snap switch. A rheostat controls the blower fan speed. The rheostat knob is located on the right hand side of the blower housing. Turn the knob clockwise to turn the blower on. The fan is on the highest setting when it is first turned on. Continue to turn the knob clockwise to reduce the fan speed until it reaches its lowest setting. To turn the blower off, turn the knob fully counterclockwise until into the off setting.