

Technical Data Sheet

90-54240 Ash Pan Installation

For The Heritage 8024

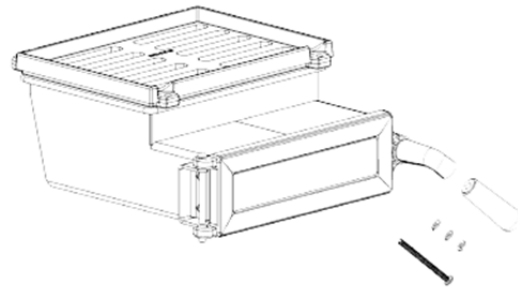
Publish Date: 7/9/2019

INCLUDED IN KIT:

2010-219: Ash Grate (1)
2010-217: Shaker Grate (1)
2010-201: Door with latch and Gasket (1)
3900-179: Wooden Handle (1)
4500-1680: Screw (1)
4600-0400: Split lock washers (3)
5022-002: Ashpan box, pre-gasketed (1)
5022-004: Ashpan (1)
5022-006: Hinge bracket (1)
4400-0560: Hinge pin (1)
5022-008: Catch bracket
4500-1030: Flat head socket screws (4)
3110-056: 1/4" non-core rope gasket (44")

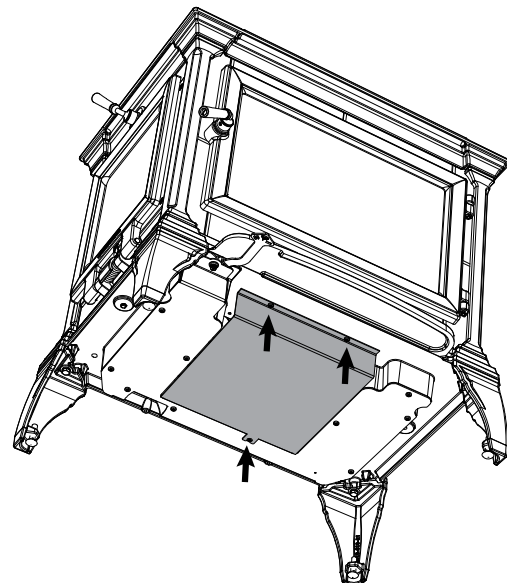
TOOLS REQUIRED:

Phillips screwdriver (stubby)
Flat head screwdriver
7/16 socket wrench
1/8" hex key (included)

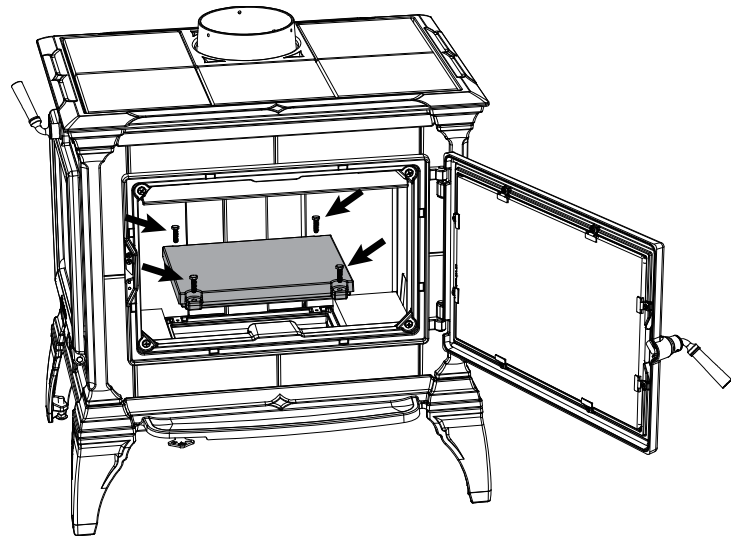


Installation Procedure:

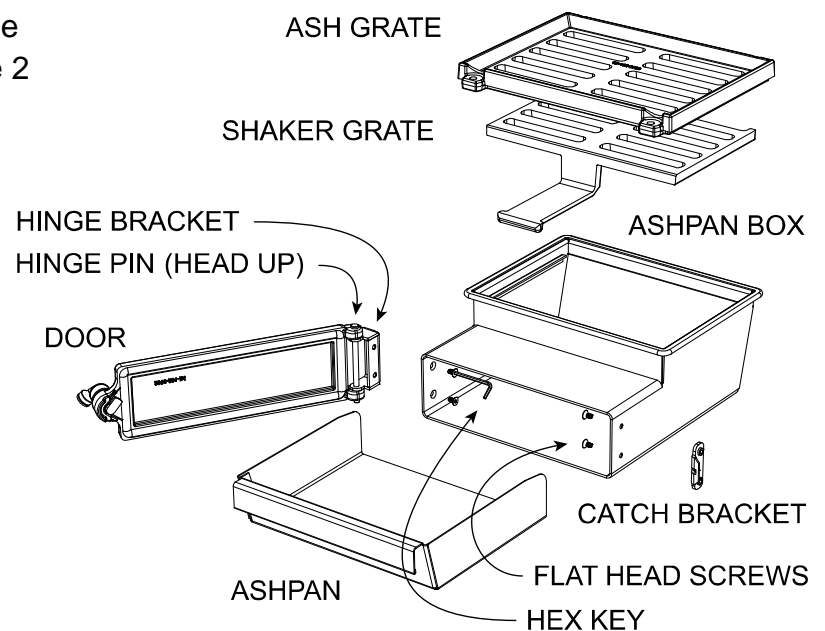
1. Remove the heatshield from the bottom of the stove:
 - a. Using a phillips head screw driver, loosen the rear screw.
 - b. Remove the 2 front screws and remove the heatshield from the stove.
 - c. Re-install and tighten all three screws.



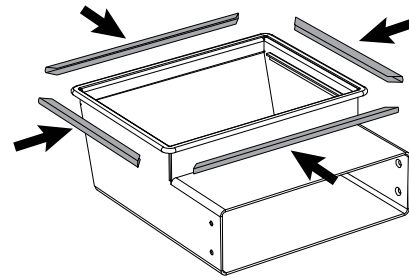
2. Uninstall the firebox floor plate:
 - a. Using a 7/16 socket wrench, remove the 4 bolts which secure the firebox floor plate to the stove.
 - b. Remove the plate from the stove, but keep the bolts for installing the ash grate.



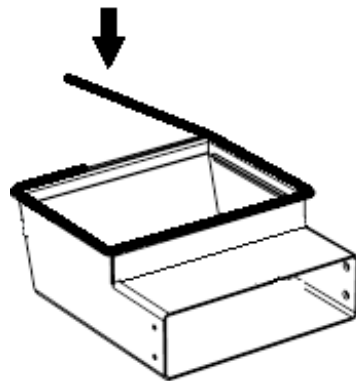
3. Disassemble the ashpan:
 - a. Open the ash pan door and remove the steel ash pan.
 - b. Remove the ash grate and shaker grate.
 - c. Using the hex key, uninstall the catch bracket by removing the 2 screws.
 - d. Using the hex key, uninstall the door hinge bracket by removing the 2 screws. Note: The door has been adjusted to seal correctly with the door hinge installed on the left side of the ashpan, as the door was shipped. Please re-install the door hinge on the same side of the ashpan to ensure a correct seal. Be sure that the hinge pin is installed head up.



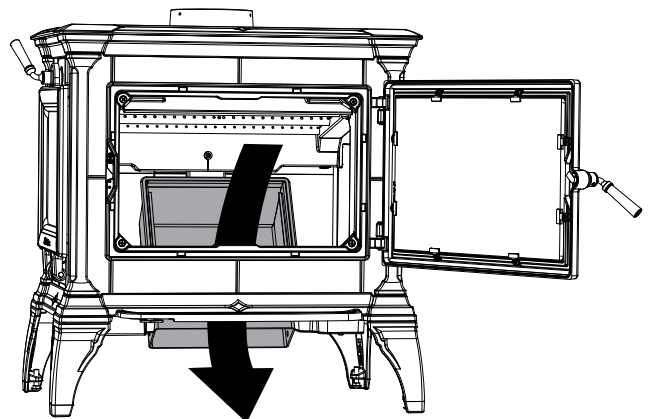
4. Remove the plastic keepers from the top flange of the ashpan box. These plastic sleeves hold the gasket in place during shipping. **DO NOT INSTALL THE ASHPAN BOX WITHOUT REMOVING THE KEEPERS.**



5. Peel white protective paper off of the back of the 1/4" gasket and press it adhesive side down along the top rim of the ash pan box over existing gasket. Be cautious to apply so the outside edges of the 1/4" rope gasket are flush with the outside edges of the ash pan rim. Trim excess to fit with ends touching.

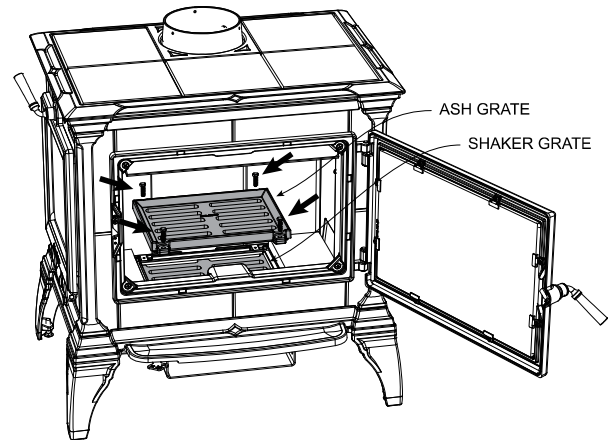
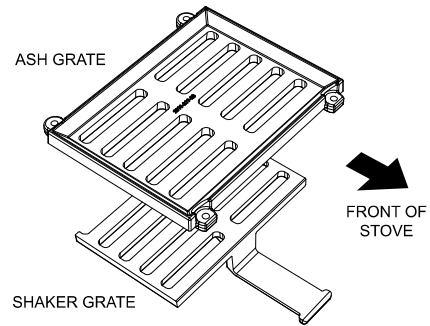


6. Install the ashpan box: Install the ashpan box through the hole in the center of the firebox floor. Position the ashpan box so that the gasketed top rim sits level around the lip of the hole in the cast iron firebox.

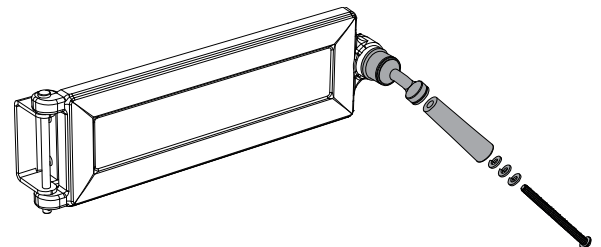


7. Install the shaker grate and ash grate:
 - a. First, position the shaker grate in the ash pan. The shaker handle should be visible through the front of the ashpan opening. The shaker

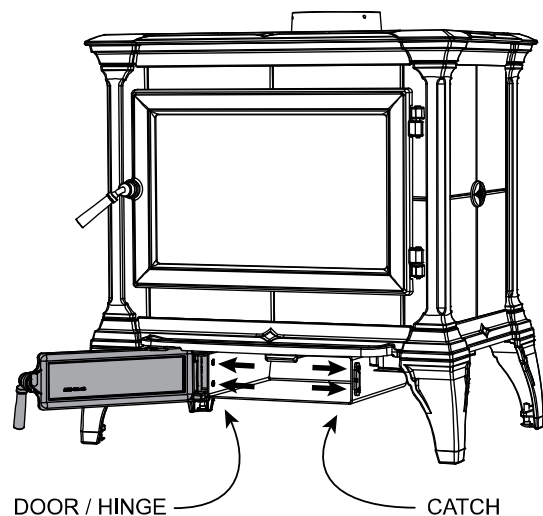
- b. grate should sit level on the L brackets in the ashpan box and move freely forward and backward.
- c. Second, position the ash grate in firebox, making sure the flat-edged tabs are toward the front of the stove.
- d. Secure the ash grate in place using the 4 bolts from step 2. Tighten the bolts until ash grate touches the cast iron firebox.



8. Install the wooden handle: Using the flathead screwdriver, the long screw and 3 lock washers, attach the wooden handle to the chrome handle crank on the door.



9. Install the ashpan door and catch:
 - a. Using the included hex key, attach the catch to the right side of the ashpan box with 2 flat head screws.
 - b. Attach the door/hinge assembly to the left side of the ashpan box using the 2 remaining flat head screws.



- c. The door must be assembled to the hinge when the hinge is attached to the ashpan box. Be sure the hinge pin is installed from the top (with the head up), so it cannot fall out once the door is attached to the ashpan.

10. Ashpan door operation:

- a. Rotate the handle to a vertical position to open the door.
- b. Rotate the handle counterclockwise to latch the door closed.

