



Technical Data Sheet

Installation of the Tribute outside air kit

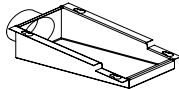
Assembly 90-53400

Date: 6/22/2006

Page: 1 of 1

INCLUDED IN KIT:

- (1) Outside Air Box (90-53400)
- (4) 10-24 x 3/8" Screws (4500-3436)



TOOLS REQUIRED:

- #2 Phillips Screwdriver (stubby)
- Pair of Work Gloves

MATERIALS REQUIRED (Not supplied with this kit):

- (1) 3" Flex Pipe
- (2) Hose Clamps
- (1) Termination Hood w/ Screen

BEFORE YOU BEGIN: Work on a cool stove. You will need to access the bottom rear of the unit. Identify the assembly pieces listed above. Note: The 3" flex pipe, hose clamps, and termination hood are not provided with this kit, but are necessary to connect the outside air box to the outside air source.

PROCEDURE:

1. Locate the four phillips head screws on each side of the air intake opening. The air intake opening can be found at the center of the bottom rear of the stove (Refer to figure 1).
2. Loosen the screws using the Phillips screwdriver.
3. Orientate the outside air box to match the position shown in figure 1.
4. Push the outside air box up to the bottom casting making sure the Phillips head screws protrude through the large diameter opening in the outside air box. When the box is tight against the bottom casting push it toward the front of the unit, sliding the Phillips screws into the smaller diameter opening (Refer to figure 1).



5. Tighten the screws using the Phillips screwdriver until the outside air box is tight against the bottom casting.
6. Connect the outside air box to the 3" flex pipe and outside air supply. The outside air box installation is now complete.

Note: When considering placement of the duct from the outside of the house to the hearth, keep in mind the need to avoid structural members of the house. The termination of the duct on the outside wall should be located in such a manner as to preclude the possibility of obstruction by snow, leaves, or other materials. The outside termination should be screened with a ¼" x ¼" mesh rodent screen and be covered by a rain/wind proof hood.

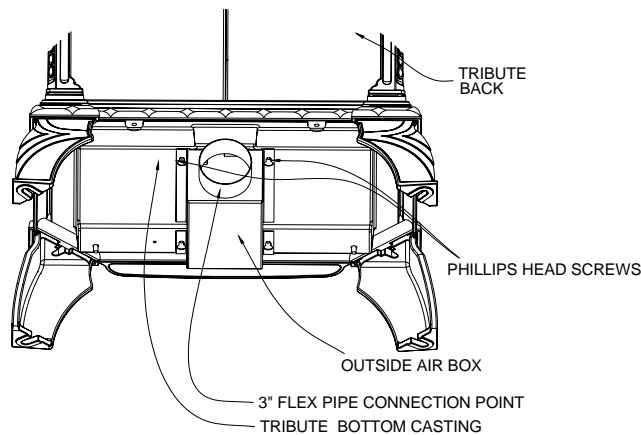


Figure 1.