



Technical Data Sheet

#5950-922 Installation of the Tucson Model #8701 and Stowe Model #8321 Restrictor Plate

Date: 8/26/2004

Page: 1 of 4

KIT CONTENTS:

- (1) #5950-922 - Restrictor Plate
- (1) #4500-0062 - #10 X 3/8" Sheet Metal Retaining Screw

TOOLS REQUIRED:

Phillips Screwdriver

BEFORE YOU BEGIN: *Determine if a Restrictor Plate is Required!*

To determine if a Restrictor Plate is necessary, refer to the venting section of the owner's manual that is packed with the stove. If a Restrictor Plate is needed, select and fix it in the proper setting, then follow these instructions. If it is not required, do not install the restrictor. However, you may want to keep the restrictor in case the stove is relocated in the future.

PROCEDURE:

Locate the baffle plate on the upper portion of the stove's firebox. Remove the retaining bolt in the baffle plate with a phillips screwdriver. This will allow you to take the baffle entirely out of the firebox.

With the baffle removed, you will have exposed the 4" round hole where the exhaust will exit the stove. Locate the two screws beside the exhaust hole, one on the left and one on the right. Remove these screws, but save them for use later.

Place the restrictor plate into the firebox. Orient the restrictor plate so that the hole divider is up in the 12 o'clock position and the adjustment screw on the restrictor plate is accessible within the firebox (this will be important should any future adjustment be necessary). With the restrictor held in this position, secure it to the firebox by turning in the screws previously removed in step number 2.

After the stove has been burned, it may be necessary to make an adjust to the restrictor plate setting. To adjust the restrictor plate after it has been installed, carefully remove the log set from the firebox. The upper baffle in the firebox can now be taken out by removing the one retaining screw in the top center of the baffle. To adjust the restrictor plate, remove the adjustment screw and make the necessary adjustments. Replace the baffle and log set after the adjustment has been completed. Refer to the owner's manual for the proper placement of the logs.

317 Stafford Ave. Morrisville, VT 05661

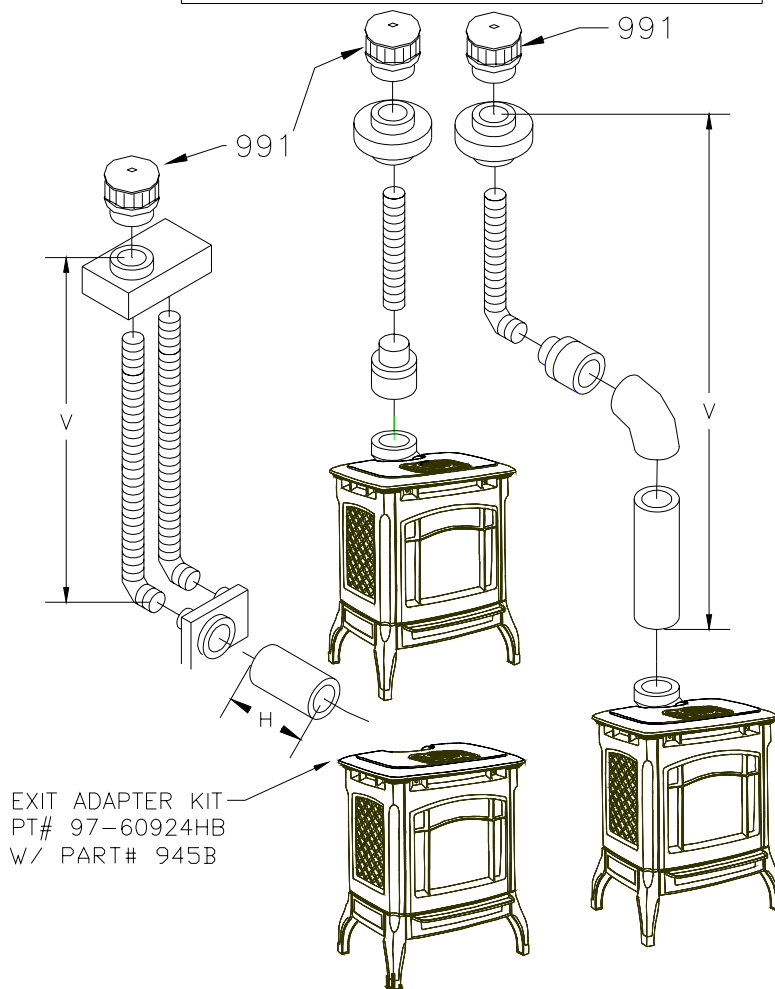
(802) 888-5232

[Http://www.hearthstonestoves.com](http://www.hearthstonestoves.com)

(802) 888-7249

NOTE: The illustrations on the following pages may help determine the proper setting of the restrictor plate. These are based on test results, but results may vary based on variables in your.

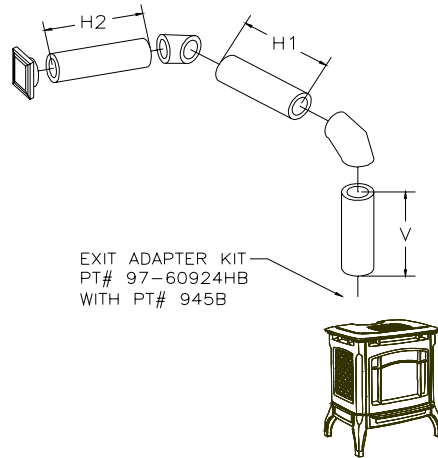
STOVE: VERTICAL FLUE USING: -A CHIMNEY AS AIR INLET ADAPTER -A CO-LINEAR ADAPTER	
<u>V (FT)</u>	<u>H (FT)</u>
10' MIN. — — — — 1.5' MAX.	1.5' MAX.
35' MAX. — — — — 1.5' MAX.	1.5' MAX.
$H1 + H2 = H \text{ (FT)}$ $V + H = \text{MAXIMUM ALLOWABLE FLUE LENGTH}$ FOR CORRECT DRAFT, HORIZONTAL FLUE MUST RISE 1/4" - 1/2" PER FOOT OF RUN. DO NOT INCLUDE STARTER ELBOW AS AN ELBOW. RESTRICTOR PLATE IN POSITION (1) FULLY OPEN	



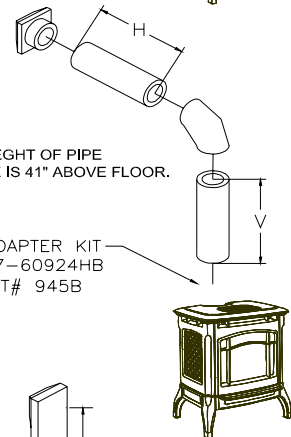
STOVE: HORIZONTAL VENTING USING (1) 90° ELBOW OR (1) 90° ELBOW & (1) 45° ELBOW OR SNORKEL VENTING

V (FT)	H (FT)
9" MIN.	1'-2" MAX.
1'	3' MAX.
2'	10' MAX.
3'-10'	14' MAX.
11' MAX.	14' MAX.

$H_1 + H_2 = H$ (FT)
 $V + H =$ MAXIMUM ALLOWABLE VENT LENGTH.
 FOR CORRECT DRAFT, HORIZONTAL VENTING MUST RISE 1/4"-1/2" PER FOOT OF RUN.
 DO NOT INCLUDE STARTER ELBOW AS AN ELBOW.

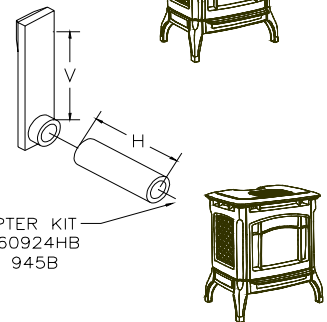


EXIT ADAPTER KIT
 PT# 97-60924HB
 WITH PT# 945B

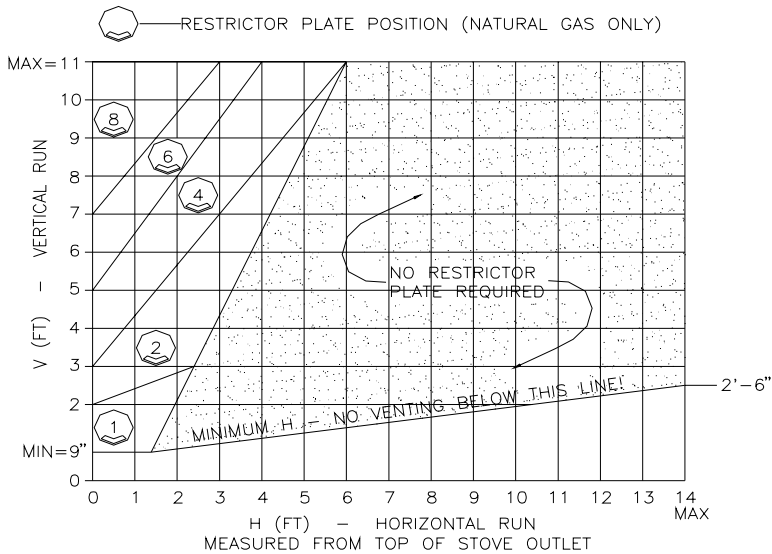


MINIMUM HEIGHT OF PIPE
 CENTERLINE IS 41" ABOVE FLOOR.

EXIT ADAPTER KIT
 PT# 97-60924HB
 WITH PT# 945B



EXIT ADAPTER KIT
 PT# 97-60924HB
 WITH PT# 945B



THE NUMBER IN THE CIRCLE SHOWS THE RESTRICTOR PLATE POSITIONS AND ALLOWABLE VENT TERMINATION LOCATIONS. (NO RESTRICTOR PLATE REQUIRED FOR LP GAS)

**STOWE: VERTICAL VENTING USING
CO-AXIAL ADAPTER**

V (FT)

H (FT)

10' MIN.— — — — 1.5' MAX.

35' MAX.— — — — 1.5' MAX.

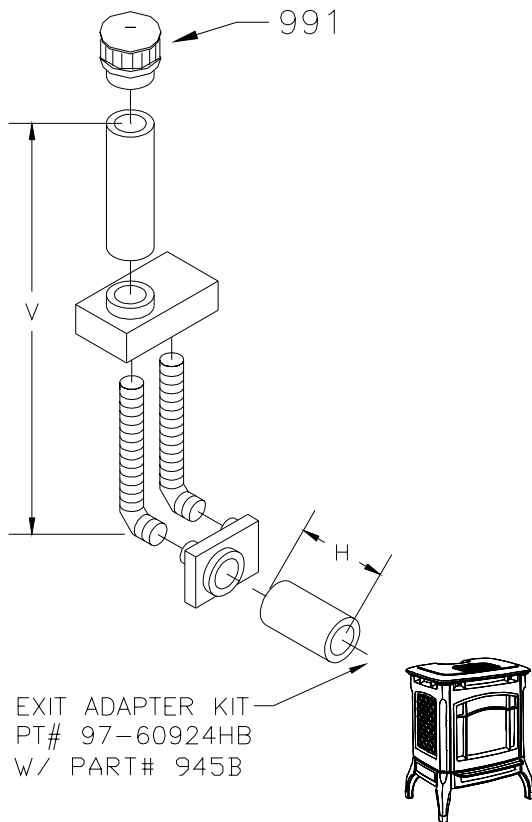
$$H1 + H2 = H \text{ (FT)}$$

V + H = MAXIMUM ALLOWABLE VENT LENGTH

FOR CORRECT DRAFT, HORIZONTAL VENTING MUST
RISE 1/4"–1/2" PER FOOT OF RUN.

DO NOT INCLUDE STARTER ELBOW AS AN ELBOW.

RESTRICTOR PLATE IN POSITION (1) FULLY OPEN



317 Stafford Ave. Morrisville, VT 05661

(802) 888-5232

[Http://www.hearthstovestoves.com](http://www.hearthstovestoves.com)

(802) 888-7249