

Technical Data Sheet

Installing the Rheostat Mount Bracket 5710-030

Use on Tucson 8701 DV Blower #93-57010

Date: 11/8/2012

Page: 1 of 2

MATERIALS REQUIRED:

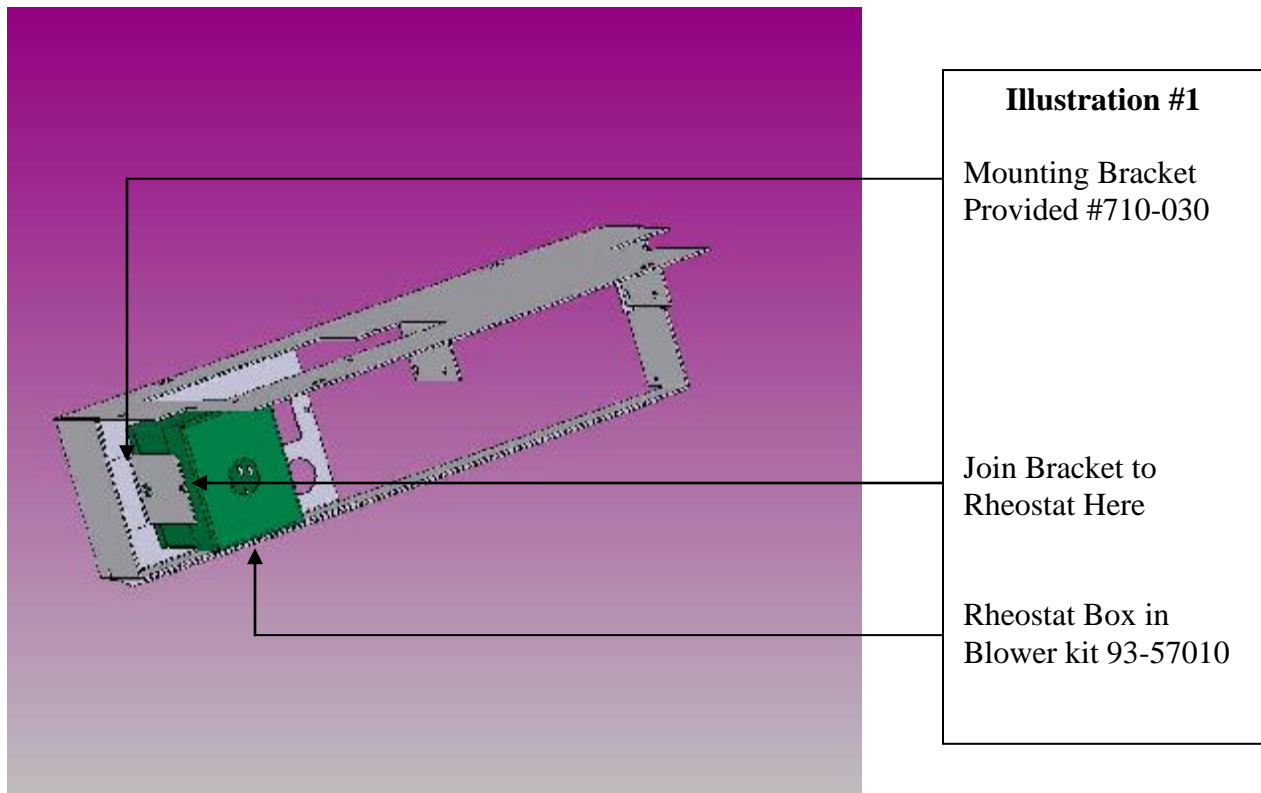
5710-030 Tucson Rheostat Mount Bracket

TOOLS REQUIRED:

Phillips Screwdriver

PROCEDURE:

1. Use this mount bracket to hold the rheostat box to the valve bracket on the Tucson DV model 8701. Slide the mounting bracket over the tab on the rheostat box until the holes line up on the side of each piece. Secure the mounting bracket to the rheostat by turning in the screw provided. Place the rheostat box and mounting bracket into the valve bracket as shown in illustration number one. Secure it in place by turning in the second screw from the front as shown in illustration number two.



Tucson Valve Bracket – Rear View

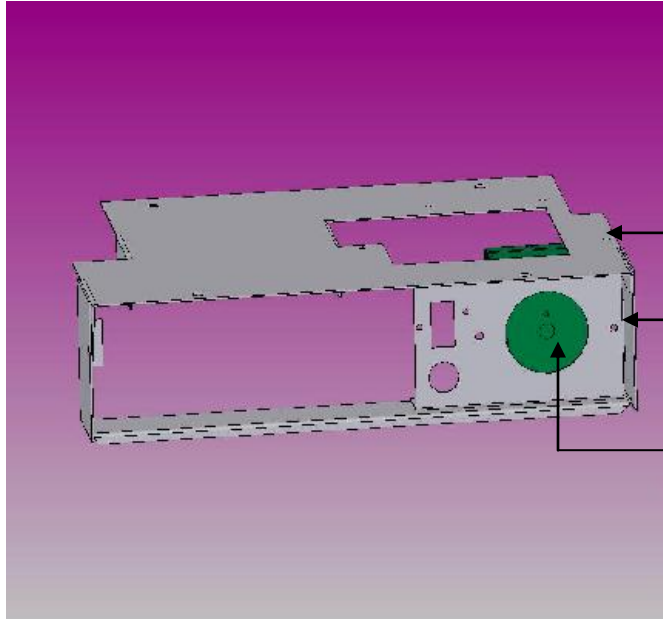


Illustration #2

Valve Bracket – Front View

Mount Rheostat Box and Mounting Bracket w/ Screw Here

Rheostat – Front View (Installed)

IMPORTANT NOTE: This mounting bracket is used only on Tucson DV 8701 with the above mounting bracket (note the round opening for the rheostat knob). If your Tucson has a rectangular opening, the mounting bracket is already built into the larger valve bracket.