

## Technical Data Sheet

### Replacement of Correction of the Heritage I 8021

### Ash Grate Control Lever

Part # 5021- 035

Date: 10/23/2012

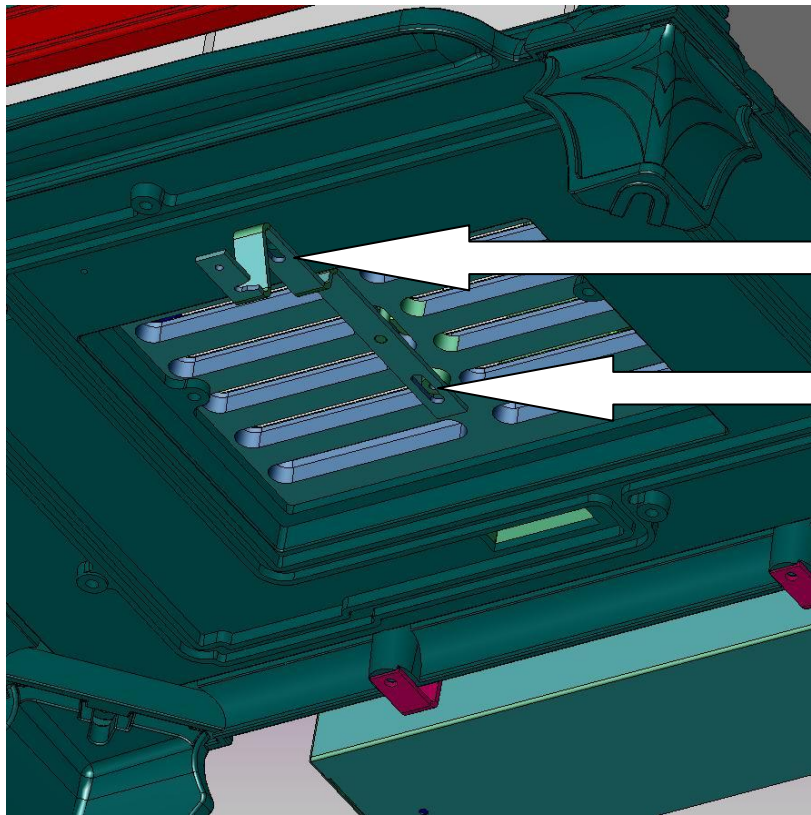
Page: 1 of 2

**MATERIALS REQUIRED:**

5021- 035 Ash Grate Control Lever  
4100-0280 Shoulder Bolts (2)

**TOOLS REQUIRED:**

7/16" Wrench or Socket  
5/16" Allen Wrench



Arrows point to slots where shoulder bolts hold the ash grate lever to the bottom of the stove.

**PROCEDURE:**

- 1) To gain access to the ash grate control lever, you will have to remove the ash dump / ash pan door assembly by removing the six 1/4"-20 screws holding it to the stove bottom with a 7/16" wrench.



- 2) To remove a damaged lever, remove the two shoulder bolts that hold it to the bottom casting with a 5/16" allen wrench. The location of the bolts is indicated in the illustration.
- 3) Straighten or replace the lever. Attach it with the shoulder bolts previously removed.
- 4) When bolting the ash dump back to the stove bottom, make sure the sealing 3/8" diameter rope gasket is in good condition and in place between the bottom of the stove and the ash dump. Replace it with 3/8" low density gasket if required.