



Technical Data Sheet

Morgan 8470 Surround Assembly Instructions

ASSEMBLY CONTENTS:

2 – Assembled Side Panels Consisting Of:

- 1 - #2410-795 Surround: Molding
- 1 - #2410-797 Corner Molding
- 2 - #5470-097 Inner Connecting Plate
- 5 - #4500-1876 10-24x ½” Pan, Phillips Screws
- 3 - #5470-049 Connector Plates
- 2 - #5012-066 Bushings
- 4 - #4500-2114 10-24x3/8” Pan, Phillips Blk Ox Screw
- 1 - #2410-798 Surround: Straight
- 1 - #2410-799 Surround: Corner
- 2 - #5947-020 Outer Connector Plate
- 5 - #3160-080 ¾” Flat Gasket Tape
- 3 - #4500-2106 10-24x3/8” Flat Phillips Blk Ox Screws

- 1 - #2410-795 Surround: Molding
- 1 - #2410-798 Surround: Straight
- 1 - #5470-025 Surround: Left Side Bracket
- 1 - #5470-027 Surround: Right Side Bracket

Fasteners:

All fasteners are pre-inserted.

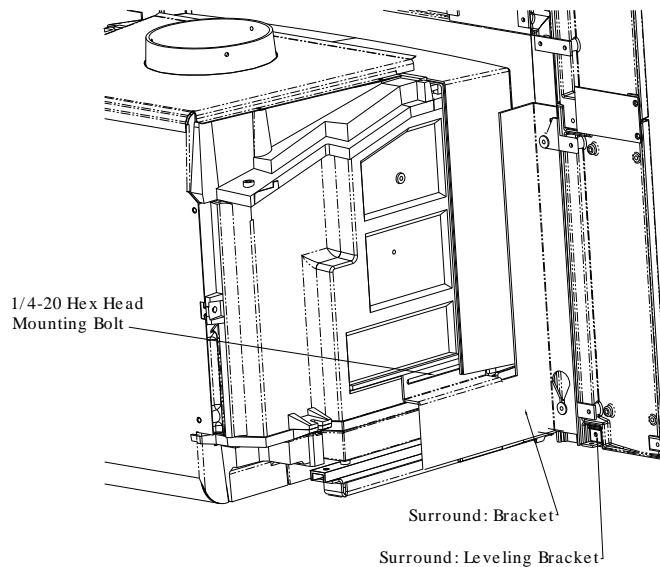
TOOLS REQUIRED:

Phillips Screwdriver
7/16” Wrench

Refer To the Surround Illustration As Needed To Complete the Assembly

PROCEDURE:

1. Install the left and right surround brackets onto the insert by placing them as shown in the illustration below. Once properly oriented on the insert, turn in the 1/4"-20 bolts that were removed when the brace was taken off the pallet until they are just finger tight. By measuring the fireplace, you should have an approximate idea of the placement of the surround bracket. Slide the bracket into place and secure the bolt with a 7/16" wrench.



2. Place the already assembled Right portion of the surround (item 1 in the illustration) face down on a smooth, flat surface.
3. Position the top section of the surround (item 3 in the illustration) and the outer straight section (item 4) into position as illustrated on page 3. Secure them to the top panel using the fasteners provide (already in place) – proper placement of the screws is called out in the illustration on page 3.
4. Install the left side (item 2) to the top in similar fashion.
5. Locate the four bushings on the surround (see illustration). Lift the assembled surround and place it front of the insert. The bushings on the surround will slide into the openings on the surround brackets previously installed onto the insert. The top bushings fit into the slots, the bottom bushing fit into the enlarged round openings. Allow the surround to drop and seat onto the brackets.
6. If final adjustments are necessary, lift the surround off the insert, loosen the bolts that hold the brackets to the insert, adjust the brackets, tighten with the 7/16" wrench, and fit the surround

back onto the insert as described in step 5.

7. Use the leveling brackets if needed to keep the bottom edges of the surround flush to the hearth. Install the leveling brackets by bolting them into the square cutout on the back bottom of the surround using the 10-24x3/8" bolts provided. Turn the 1/4-20 bolts down into the threaded holes on the bottom of the leveling brackets. These bolts can now be turned to raise the surround.

