

Technical Bulletin #2

Trouble Shooting Tip

Sterling B-Vent Spill Switch Correction

Publication Date: May 24, 2001

Re: Sterling "G" Series, B-Vent Only (Model 8521)

Serial Number: Prior to serial #12615

Production date: Prior to 1/26/2001

Problem Description: The bracket that holds the spill switch in the draft hood may have been installed upside down at the factory. This would increase the sensitivity of the switch causing the stove to shut down excessively. If you have a customer that reports nuisance shut downs, check to ensure that the spill switch bracket is installed correctly (Figure 2).

The Fix: The bracket is held in place by two "pop" rivets. Using a 1/8" drill bit, drill out the rivets that hold the bracket to the draft hood and the spill switch to the bracket. Turn the bracket over and reattach the spill switch to the bracket and the bracket to the draft hood with new 1/8" pop rivets or with small nuts and bolts with lock washers.

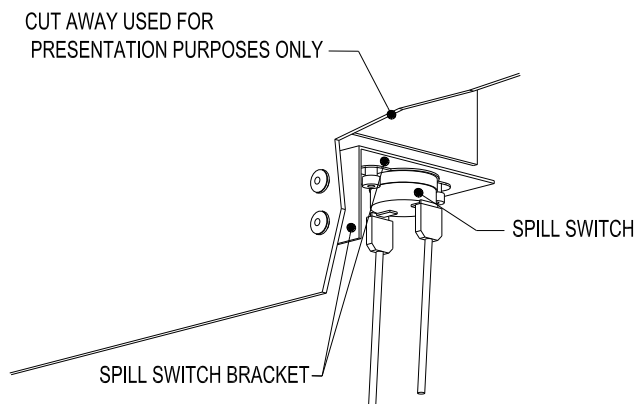


Figure 1: Incorrect

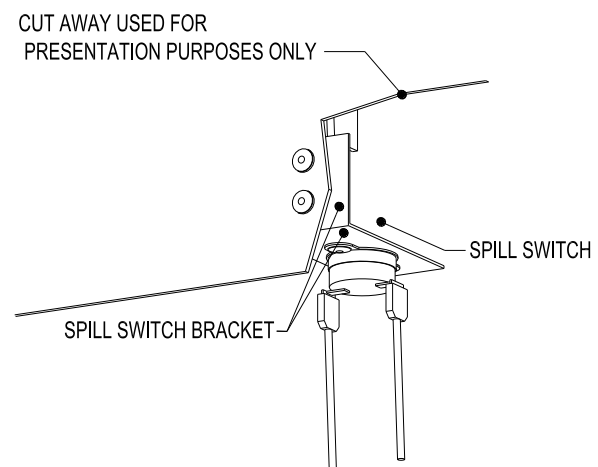


Figure 2: Correct