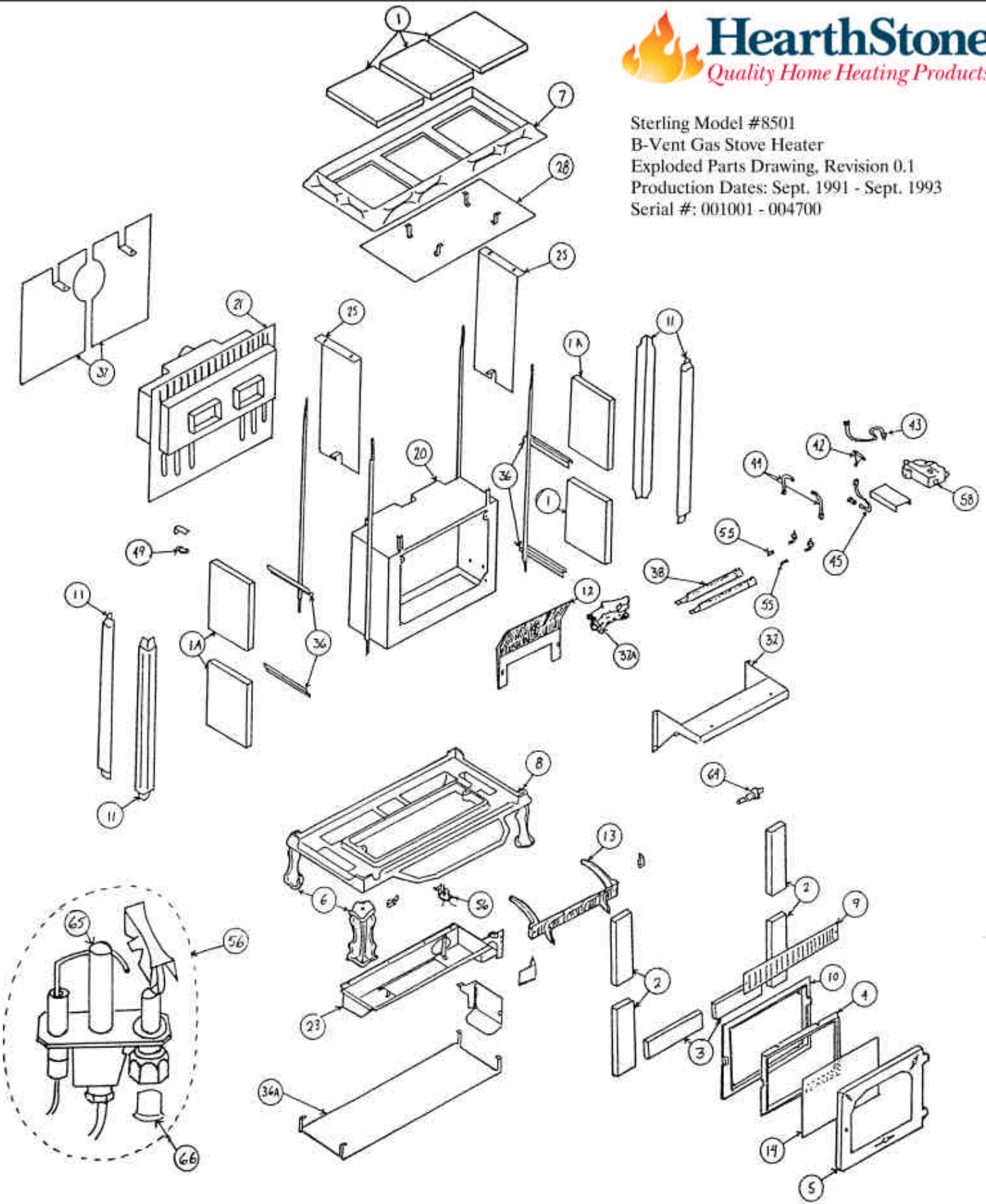




Sterling Model #8501  
B-Vent Gas Stove Heater  
Exploded Parts Drawing, Revision 0.1  
Production Dates: Sept. 1991 - Sept. 1993  
Serial #: 001001 - 004700





**Model:** Sterling B-Vent #8501  
**Production Dates:** September 1991 - August 31, 1993  
**Serial #:** 001001 - 002451 Electronic  
 002452 - 004701 Millivolt

Note: Color must be specified for cast iron parts which are available in enamel.

Key	Part #	Description	
1	1546-462	Top Stone 8" x 9 1/2" Beveled 4 sides	Must specify stone color.
1A	1546-462A	Side Stone 8" x 9 1/2" Beveled 2 sides	Must specify stone color.
2	1546-463	Front Side Stone 3 1/2" x 9 1/2"	Must specify stone color.
3	1546-464	Front Bottom Stone 2 1/2" x 8 1/2"	Must specify stone color.
4	2421-316	Glass Frame	
5	2510-219-RS	Front Door	
6	2510-303	Bottom Leg (Foot)	
7	2510-401	Top Casting	
8	2510-402	Bottom Casting	
9	2510-403F	Front Grill	
10	2510-411-RF	Front Door Frame	
11	2510-413	Side Leg (Corner Post)	
12	2510-414	Baffle	
13	2510-415	Andiron (Log Rack)	
<b>14</b>	<b>94-58405</b>	<b>Glass Assembly</b>	
		Includes:	
	3030-025	Glass 11 5/16" x 15 19/32" x 5mm	
	3160-080	4 1/2' of 3/4" x 1/16" Gasket Tape	
20	5500-2404N	Firebox (also requires 5500-2404N1 Plate Adapter)	
21	5500-2405A	Heat Exchanger	
23	5500-2410B	Lower Pan Assembly	No Longer Available
25	5500-2417	Side Shield	
28	5500-2416	Top Shield	
32	5500-2438	Upper Baffle	
36	5500-2408	Stone Clip	
36A	5925-2466	Bottom Heat Shield	No Longer Available
37	5925-2467	Rear Heat Shield	No Longer Available
37A	7200-001	Log Set (2 Piece Set)	
38	7200-507	#304 Stainless Steel Burner Tube 2/stove	
42	7200-006	3/8" Compression Tee	

43	7200-010	Gas Line Pilot	
44	7200-011	Gas Manifold	
45	7200-112	Gas Input line to Valve	
49	7200-103	Flue Spill Switch -Electronic	
	<b>95-57002</b>	<b>Flue Spill Switch Assembly -Millivolt</b>	
		Includes:	
	7000-015A	Hi Temp Wire 4.33'	
	7000-016E	Spade Terminal	
	7000-017	(3) Female Terminal	
55	7200-120	#55 LP Burner Orifice 2/stove	
	7200-129	#44 NG Burner Orifice 2/stove	
56	7200-111	Pilot -Electronic	
	7210-101	Pilot -Millivolt 6SH14-2ER 13" Wire Includes NG Orifice	
58	7200-004	RobertShaw 7100 DER Electronic Gas Valve	
	7200-004A	RobertShaw 7100 IPER Electronic Gas Valve	
	7210-001	RobertShaw 7000 MVRB Millivolt Gas Valve	
64	7210-103	Piezo Igniter	
65	7210-100	Thermopile	
66	7200-122	LP Pilot Orifice #76362	
	No number	NG Pilot Orifice	
	<b>95-57201</b>	<b>Electronic Ignition Assembly</b>	<b>No Longer Available</b>
		Includes:	
	7200-104	Ignition Control Module	
	7200-106	Transformer	
	7200-100	Fuse Holder	
	<b>90-56920</b>	<b>Wall Thermostat Kit</b>	
		Includes:	
	7000-015	40' 18/2 Thermostat Wire	
	7200-506	Millivolt Wall Thermostat	