



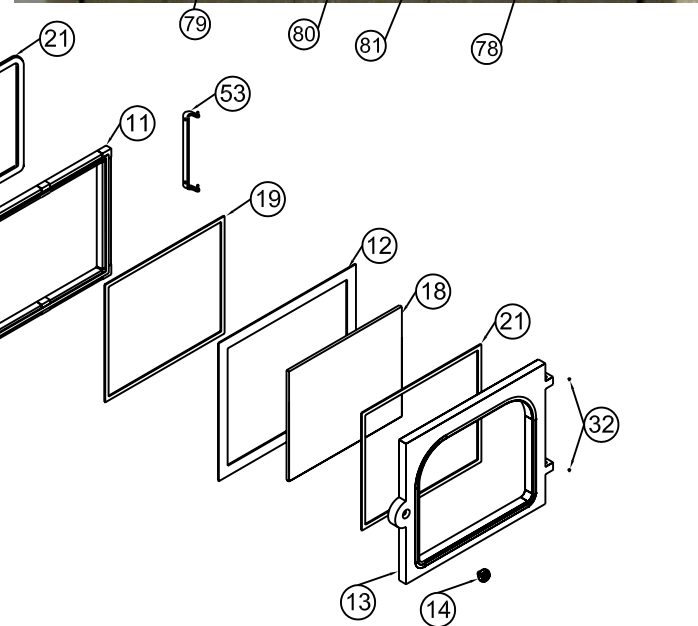
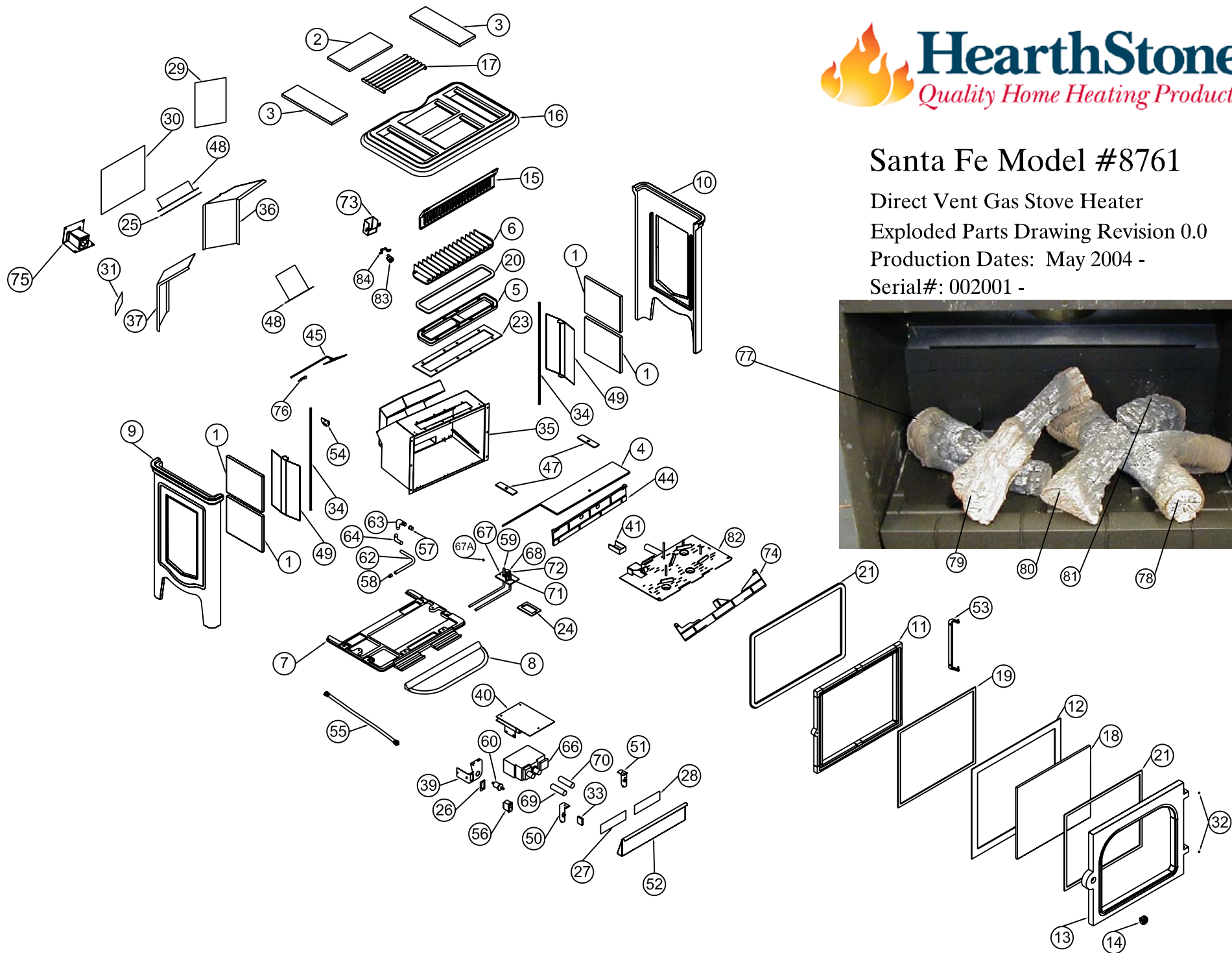
Santa Fe Model #8761

Direct Vent Gas Stove Heater

Exploded Parts Drawing Revision 0.0

Production Dates: May 2004 -

Serial#: 002001 -





Model: Santa Fe Direct Vent Model #8761

Production Dates: May 2004 -

Serial #: 002001 -

[Link to
Parts Pricelist](#)

Note: Color must be specified for cast iron parts which are available in enamel.

Key	Part #	Description	
1	1741-351	Side Stone 7 1/2" x 6 1/2"	Must specify stone color.
2	1741-352	Top Center Stone 8 5/8" x 3 5/8"	Must specify stone color.
3	1741-680	Top Side Stone 5 1/4" x 10 11/32"	Must specify stone color.
4	2310-240	Firebox Baffle -Cast	
5	2310-850	Heat Exchanger Base -Cast	
6	2310-860	Heat Exchanger -Cast	
7	2710-600	Bottom -Cast	
8	2710-610	Ash Lip -Cast	
9	2710-620	Left Side Panel -Cast	
10	2710-625	Right Side Panel -Cast	
11	2710-630	Door Frame -Cast	
12	2710-640	Glass Retainer Frame -Cast	
13	2710-650	Door -Cast	
14	2710-655	Handle	
15	2710-660	Front Grille -Cast	
16	2710-670	Top -Cast	
17	2710-810	Top Grille -Cast	
18	3030-028	Glass: 17-15/32"x11-9/16"x5mm	
19	3110-059	Gasket: Rope,3/8",Med Den, Black	
20	3160-075	Gasket: Rope,5/8"x1/4",Adhesive	
21	3160-080	Gasket: Tape,3/4"x1/16",Adhesive	
22	3160-135	Gasket: Inlet/Exit,10.75"x17.75"	
23	3160-150	Gasket: Heat Exchanger, 4"x14.5"	
24	3160-152	Gasket: Pilot,1.75"x3",Adhesive	
25	3160-157	Gasket: Inlet,6-1/2"x9-5/16"	
26	3300-334	Label On/Off/T-Stat	
27	3300-524	Label, Lighting Instructions, Left	
28	3300-525	Label, Lighting Instructions, Right	
29	3300-526	Label, Installation Instructions	
30	3300-569	Label, safety Rating	

31	3300-574	Label, Fuel Conversion
32	4700-0600	Finishing Plug 1/4" ID 13/32" OD
33	4700-0795	Valve Door Magnet
34	5210-3070	Threaded Rod,1/4-20x19",3/4"&3/4"
35	5301-010	Firebox
36	5301-050	Right Rear Heat shield
37	5301-040	Left Rear Heat shield
39	5300-066	On/Off Switch & Piezo Bracket
40	5300-080	Valve Bracket
41		Pilot Shield
44	2310-015	Rear Brick Panel
45	5301-060	Restrictor Plate
47	5300-118	Blast Limiter
48	5701-925H	Inlet/Exit Collar
49	5710-470	Stone Clip
50	5760-010	Left Valve Door Bracket
51	5760-020	Right Valve Door Bracket
52	5760-030	Valve Door
53	5760-041	Front Door Hinge Bracket
54	5301-070	Restrictor Plate Indicator
55	7000-031	On/Off Wire Harness
56	7000-200	3-Way On/Off/T-Stat Switch
57	7200-332	Main Burner Orifice NG #32
57	7200-349	Main Burner Orifice LP #49
58	7210-007	Fitting 3/8" x 3/8" Compression
59	7210-090	Thermopile
60	7210-103	Igniter
62	7211-017	3/8" x 18" Gas Flex Line
63	7211-020	90deg Elbow, 3/8"-27M x 3/8" CMP
64	7211-023	90deg Elbow, 3/8"-27F x 3/8" CMP
66	7211-310	SIT. Gas Valve
67	7211-370	Top Convertible Pilot Assembly
67A	7211-136	Pilot Orifice
68	7211-390	3-Way Pilot Hood
69	7211-401	Extension Knob, 2-1/2",ON/OFF/PIL
70	7211-402	Extension Knob, 2-1/2",HI/LO,SIT
71	7211-430	Ceramic Electrode
72	7211-470	Thermocouple

73	5970-110	Snap Disk Cover
74	2310-020	Front Brick Panel
75	5301-030	Primary Air Control/AirShutter
76	5301-080	Restrictor Clip
77	7211-512	Bottom Left Log
78	7211-513	Bottom Right Log
79	7211-514	Top Left Log
80	7211-515	Top Center Log
81	7211-516	Top Right Log
82	7211-221	Burner
83	7000-301	Blower Snap Switch
84	5870-022	Snap Switch Strap