



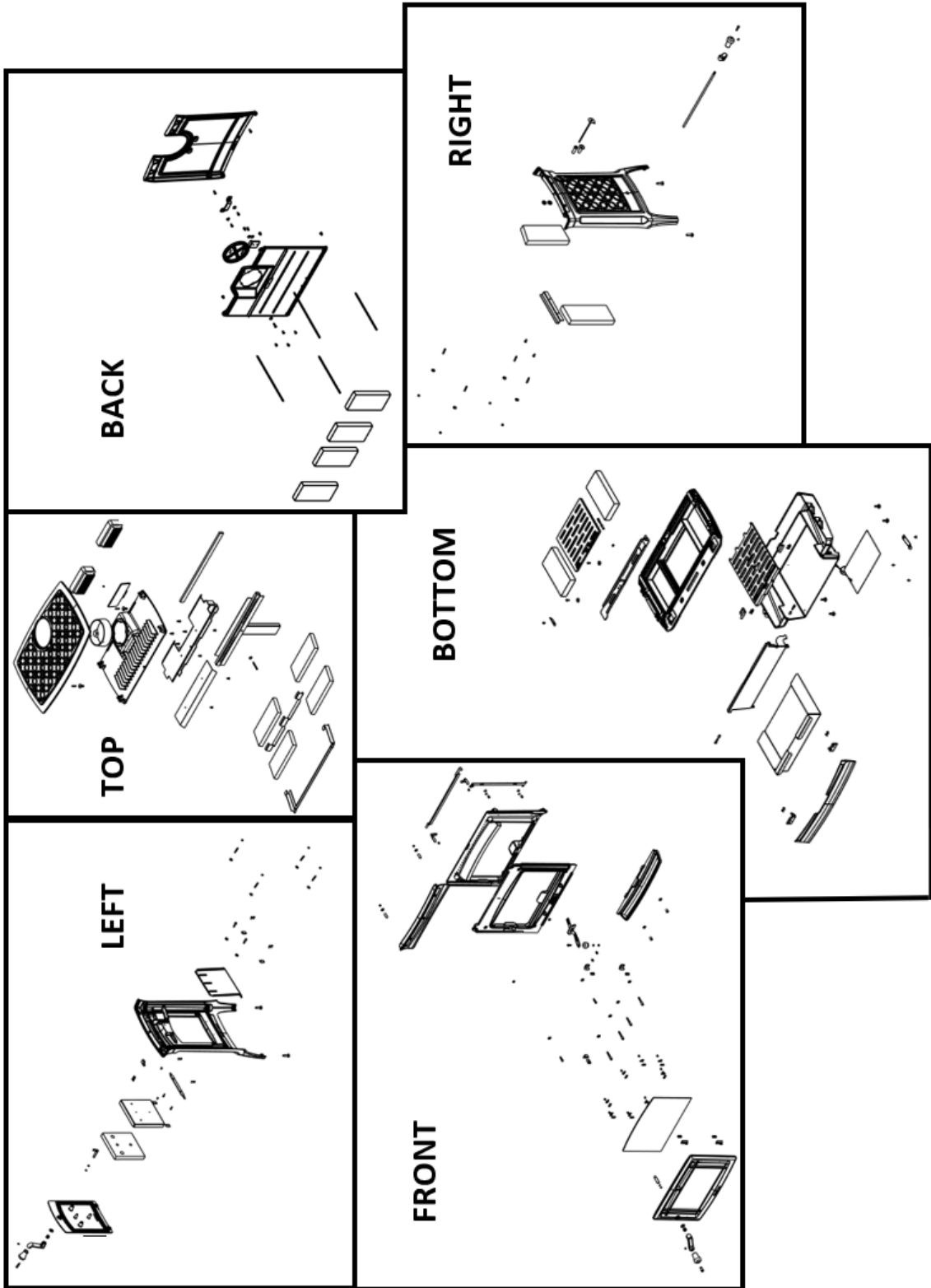
Manchester

Model 8362

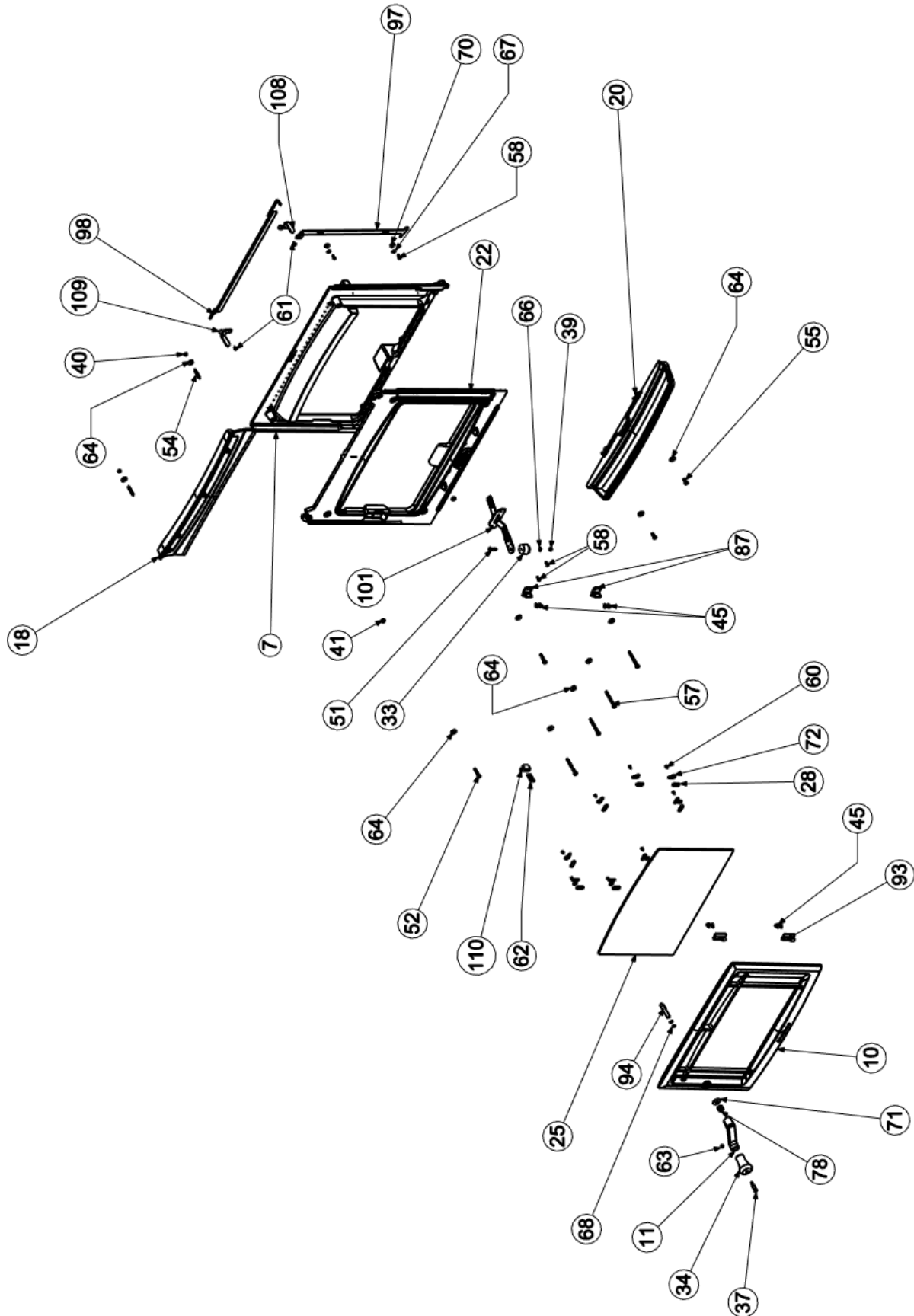


Illustrated Parts List

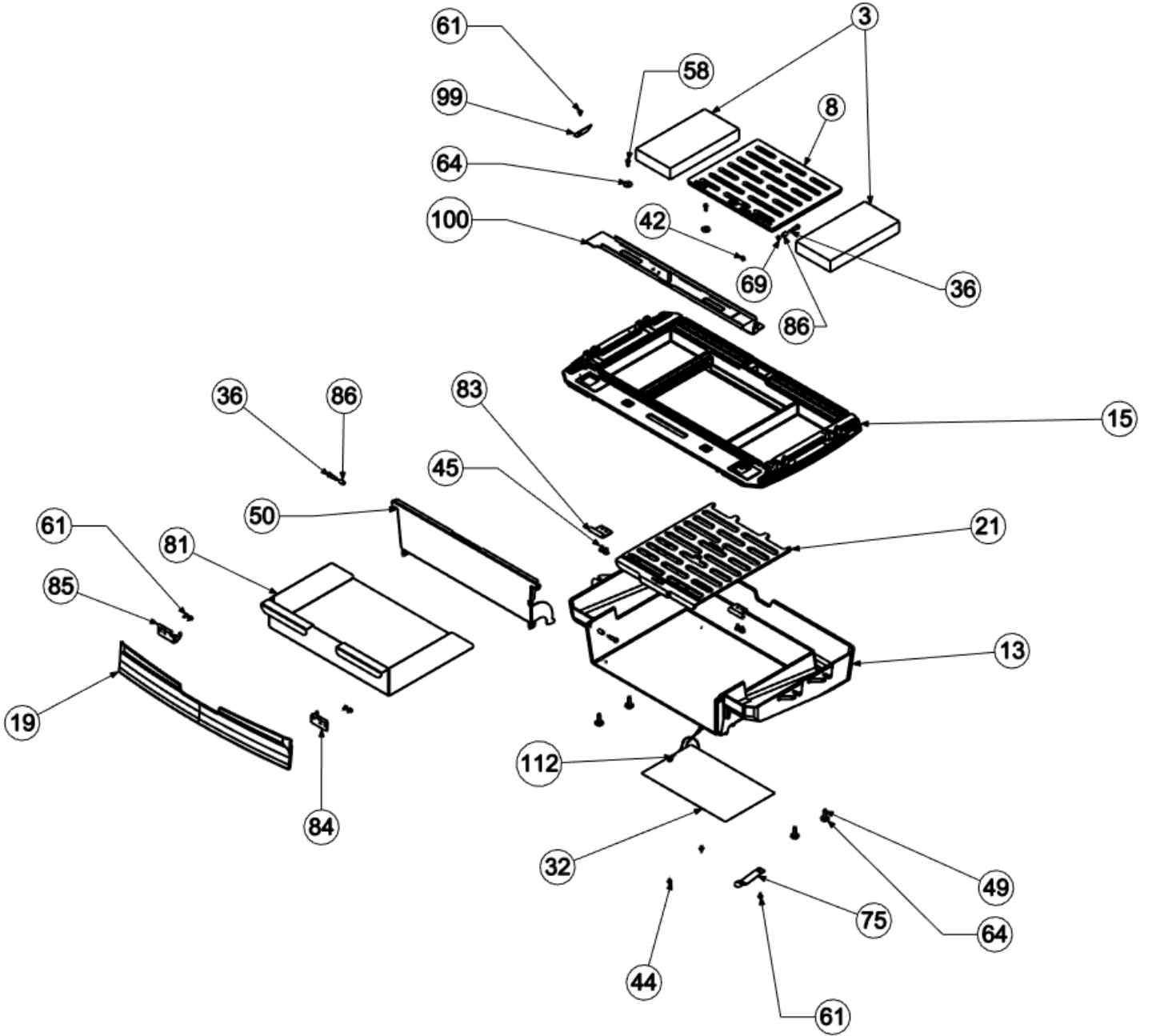
Full Assembly



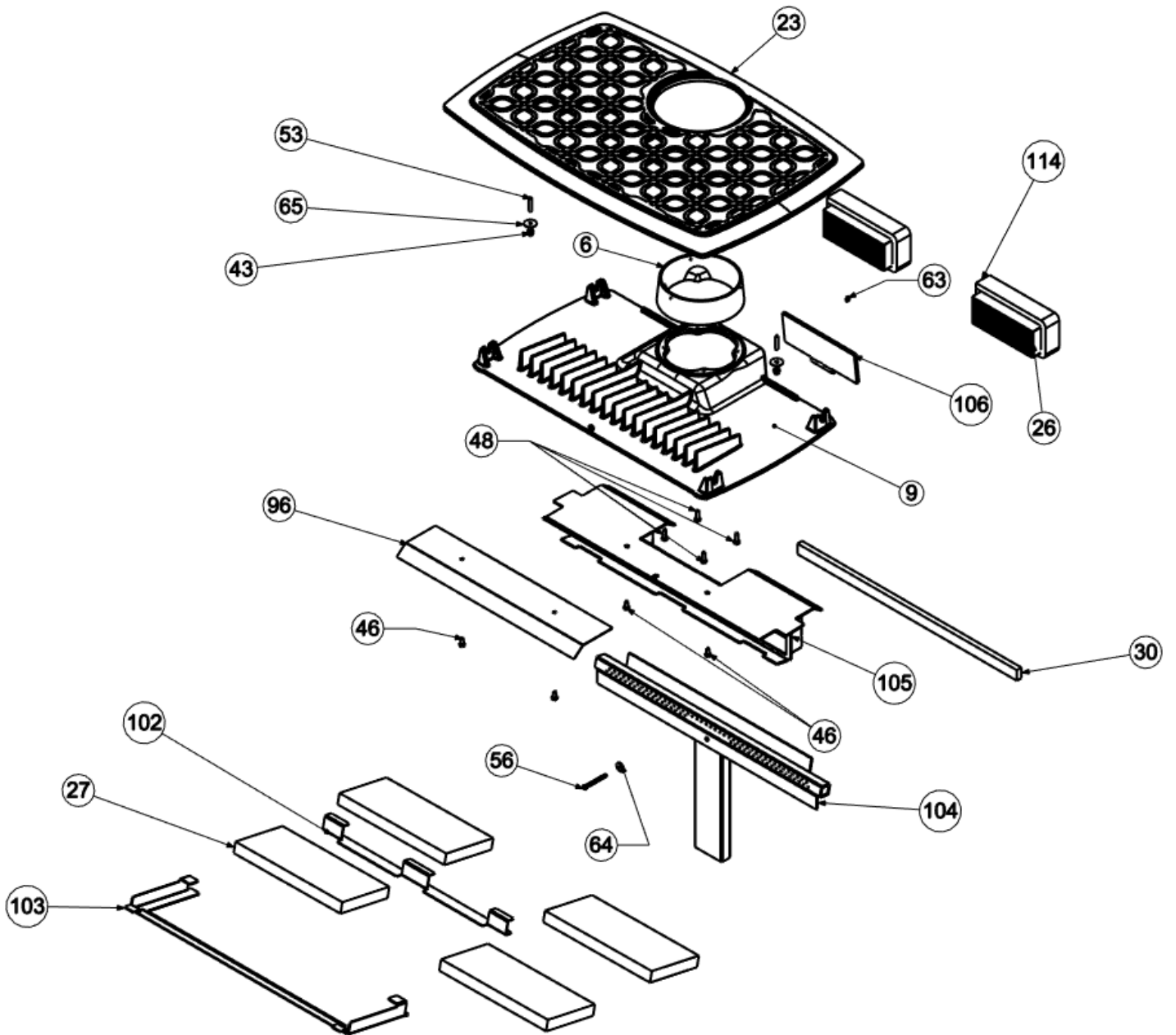
FRONT



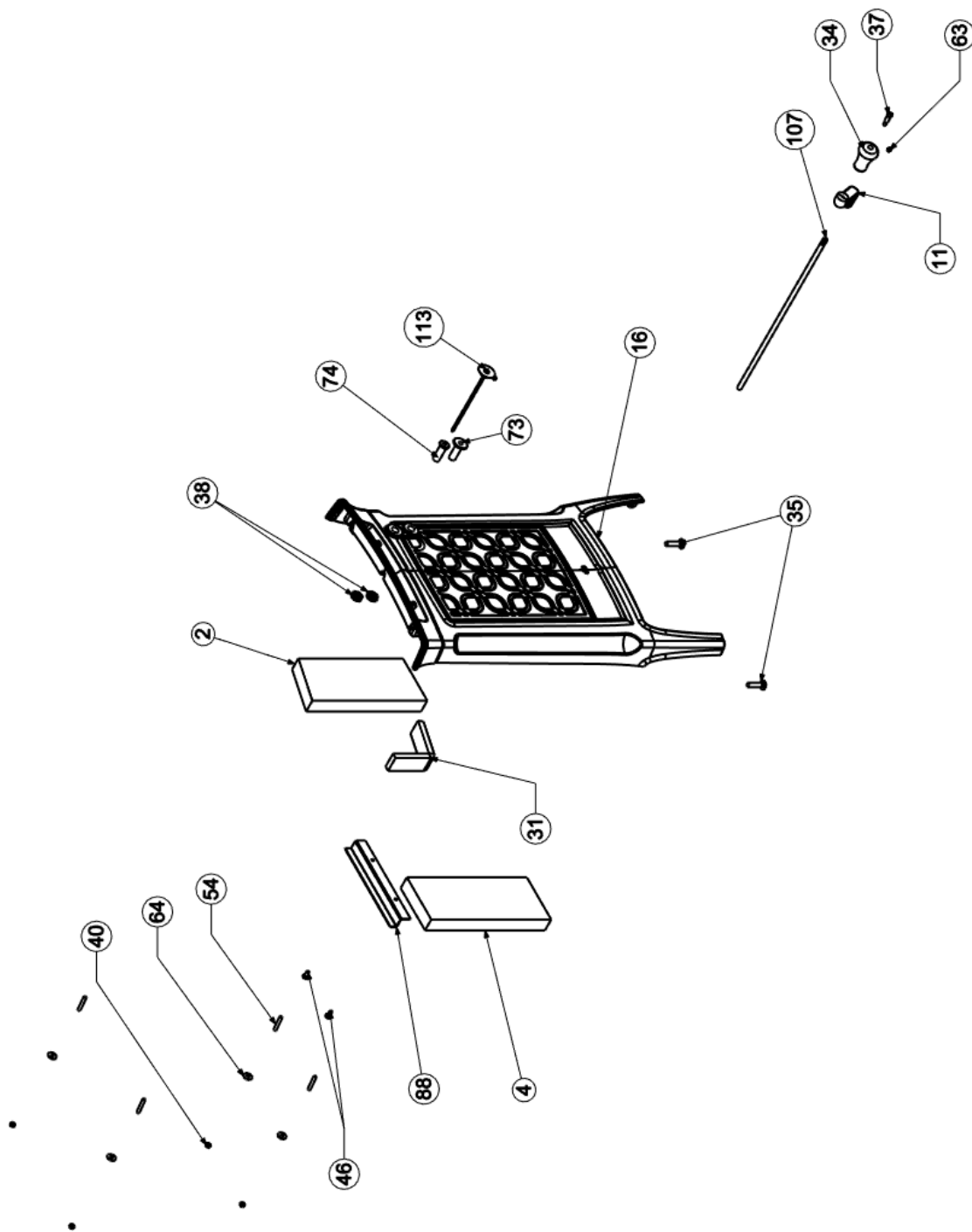
BOTTOM



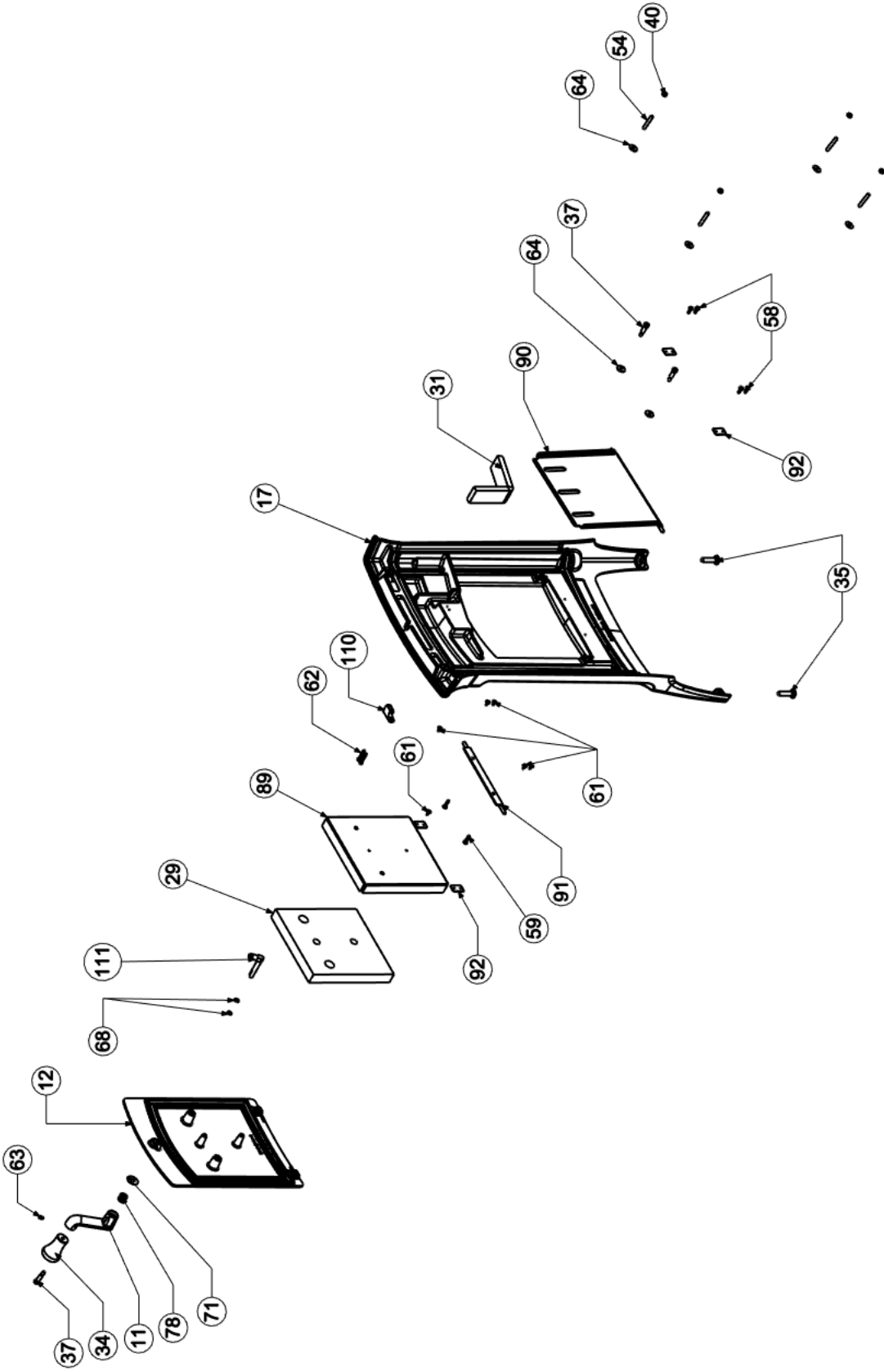
TOP



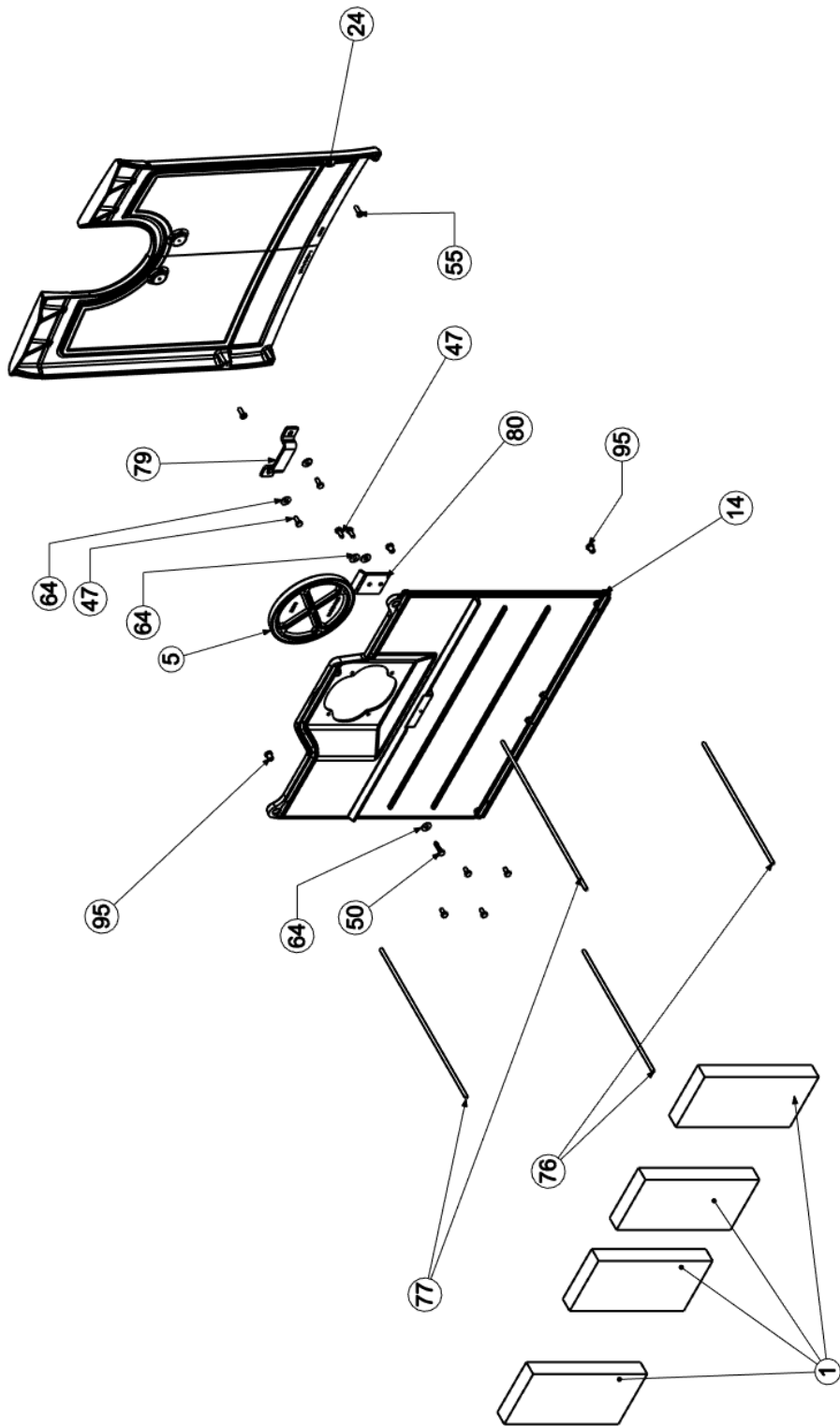
RIGHT SIDE



LEFT SIDE



BACK



Bill of Materials

ITEM NO.	PART NUMBER	DESCRIPTION	QTY.
1	1-0300-301	REAR SIDE STONE	4
2	1-0300-305	BACK SIDE STONE	1
3	1-0000-101	STONE: REF,4-1/2"x9"x1-1/4",MAN 1/HE	2
4	1-0000-304	SIDE STONE	1
5	2010-282	FLUE BLANK PLATE	1
6	2010-285	FLUE COLLAR	1
7	2310-600	PRIMARY AIR MANIFOLD	1
8	2310-605	TOP ASH GRATE	1
9	2310-610	INNER TOP	1
10	2310-615	FRONT DOOR	1
11*	2310-617	DOOR HANDLE	3
12	2310-620	SIDE DOOR	1
13	2310-625	ASH BOX	1
14	2310-630	INNER BACK	1
15	2310-635	BOTTOM	1
16	2310-641	CLOSED SIDE	1
17	2310-646	SIDE WITH DOOR	1
18	2310-650	FRONT GRILL	1
19	2310-655	ASH DOOR HANDLE	1
20	2310-660	ASH LIP	1
21	2310-665	LOWER ASH GRATE	1
22	2310-675	INNER FRONT	1
23	2310-685	TOP	1
24	2310-690	REAR COVER	1
25*	3030-059	GLASS	1
26*	3050-010	CATALYST, 6"	2
27	3070-021	BAFFLE QUARTER	4
28*	3120-021	GASKET: GLASS CLIP,BLACK, HER 1/TRI/BRI	8
29	3120-362	SIDE DOOR INSULATION	1
30	3120-364	REAR BLANKET STRIP	1
31	3120-365	POST CAT SIDE BLANKET	2
32	3300-212	SAFETY LABEL	1
33	3900-173	PRIMARY AIR KNOB	1
34*	3900-191	Handle: Wood	3
35	4100-0127	BOLT: CARRIAGE,3/8-16x1-1/2	4
36	4100-0240	SHSSCREW 0.25x0.625-N	3
37*	4100-0285	SHSSCREW 0.3125x0.75-N	5
38	4200-0100	1/4" PIPE LOCK NUT	2
39	4200-0200	NUT: FINISHING,1/4-20,HEX,ZN	1

Bill of Materials

40	4200-0250	NUT: FINISHING,1/4-20,HEX,SS	10
41	4200-0320	NUT: SQUARE,1/4-20,REGULAR	2
42	4200-0855	10-24 Nut	1
43	4200-1025	NUT: ACORN 10-24 BLK	2
44	4400-0100	RIVET: BLIND,1/8x1/4" GRIP,SS (CCP-4)	2
45	4500-0540	SCREW: MACH,1/4- 20x3/8",PAN,PH,ZN,BLK	12
46	4500-0570	SCREW: CAP,1/4-20x1/2",HEX,SS	10
47	4500-0700	SCREW: CAP,1/4- 20x5/8",HEX,GRADE 5	4
48	4500-0710	SCREW: CAP,1/4-20x3/4",HEX,SS	4
49	4500-0900	SCREW: CAP,1/4-20x1",HEX,GRADE 5	4
50	4500-0910	SCREW: CAP,1/4-20x1",HEX,SS	1
51	4500-1020	SCREW: FHCS,1/4-20X1",BL OX	1
52	4500-1200	SCREW: CAP,1/4-20x1- 1/4",HEX,GRADE 5,B	2
53	4500-1348	STUD: 10-24x1-1/4",FULLY THREADED	2
54	4500-1351	STUD: 1/4-20x1-1/2",FULLY THREADED,SS	10
55	4500-1359	SCREW: MACH,1/4- 20x3/4",PAN,PH,BLK	4
56	4500-1420	SCREW: CAP,1/4-20x2-1/4",LOW PRO,SOCK	1
57	4500-1545	SCREW: CAP,1/4-20x2- 1/2",HEX,GRADE 5	4
58	4500-1876	SCREW: MACH,10- 24x1/2",PAN,PH,BLK OX	12
59	4500-1877	10-24x 3/4 Pan Head Phillips	2
60*	4500-2105	SCREW: MACH,10-24x3/8",UN- CUT,FLAT,PH,	8
61	4500-2114	SCREW: MACH,10- 24x3/8",PAN,PH,BLK OX	14
62*	4500-2140	SCREW: CAP,10-24x1",SOCK,SS	4
63*	4500-2976	SCREW: SET,5/16-18x3/8",HALF DOG,SOCKET	4
64	4600-0300	WASHER: FLAT,1/4,USS,BLK OX (3/4" OD)	32
65	4600-0330	1" OD WASHER	2
66	4600-0400	WASHER: LOCK, 1/4",SPLIT,ZN	1
67	4600-1210	WASHER: FLAT,10,SAE, BLACK OXIDE	2
68*	4700-0790	SPACER: DOOR LATCH,0.435"x0.375"x0.03"	4
69	4700-0810	3/16 ID 1/8" HIGH HINGE SPACER	1

Bill of Materials

70	5012-066	BUSHING	2
71*	5021-032	WASHER: FLAT,.406"IDx1"ODx.035"T,BLK	2
72*	5021-060	GLASS CLIP	8
73	5031-125	BYPASS ESCUTCHEON	1
74	5031-130	PROBE ESCUTCHEON	1
75	5100-010	LABEL CLIP	1
76	5210-3035	ROD:THREAD,1/4-20x12-3/4", 1"&1",MCR	2
77	5210-3045	ROD:THREAD,1/4-20x15-3/4", 1"&1",MCR	2
78*	5240-138	SPRING: LATCH,WOOD STOVES,325#	2
79	5350-076	OUTTER BACK MOUNTING CLIP	1
80	5350-078	INNER BACK MOUNTING PLATE	1
81	5360-010	ASH PAN	1
82	5360-012	ASH DOOR	1
83	5360-014	ASH DOOR HINGE	2
84	5360-016	ASH DOOR LATCH R	1
85	5360-018	ASH DOOR LATCH L	1
86	5360-020	ASH DOOR HINGE ROLLER	3
87	5360-050	FRONT DOOR HINGE BOTTOM	2
88	5360-052	REFRACTORY RETAINER	1
89	5360-054	INSULATION SHIELD	1
90	5360-056	SLIDER STOP: SIDE DOOR,MCR	1
91	5360-058	HINGE: SIDE DOOR, MCR/MCP	1
92	5360-060	SIDE DOOR HINGE CLIP	4
93	5360-062	FRONT DOOR HINGE W/STOP	2
94	5360-068	DOOR LATCH ASSEMBLY	1
95	5360-080	1/4-20 BACK NUT	4
96	5360-085	HEATSHIELD, TOP:MCR	1
97	5361-030	PUSH ROD	1
98	5361-035	HOLE COVER FLAP	1
99	5362-010	INLET DEFLECTOR	1
100	5362-024	PRIMARY AIR SLIDER MCR2	1
101	5362-028	PRIMARY AIR CONTROL	1
102	5362-090	REAR BAFF SUPPORT	1
103	5362-095	FRONT BAFFLE SUPPORT	1
104	5362-100	SECONDARY MANIFOLD	1
105	5362-110	CAT DAM	1
106	5362-115	BYPASS DOOR	1
107	5362-120	BYPASS SHAFT	1
108	5362-130	R HOLD DOWN CLIP	1
109	5362-135	L HOLD DOWN CLIP	1

Bill of Materials

110*	5491-045	DOOR LATCH CATCH	2
111*	5491-048	DOOR LATCH ASSEMBLY	1
112	5570-030	CABLE: LABEL	1
113	7200-525	CAT TEMP PROBE 7"	1
114*	3120-035	BLANKET: CERAMIC,CATALYST,CAS 1	2

* = Available in kits only.

REPLACEMENT KITS AND ACCESSORIES

90-57310	CATALYST REPLACEMENT KIT
93-57600	BLOWER KIT
93-53500	OUTSIDE AIR KIT
93-68600	CLOSE CLEARANCE HEAT SHIELD KIT
93-58300	GLASS KIT
93-58600	GASKET KIT
93-71600	FRONT & SIDE DOOR HANDLE KIT
94-73910	SIDE DOOR LATCH KIT
93-73600	FRONT DOOR LATCH KIT
93-70607	SIDE DOOR LOCKING KIT

Note: See manual for accessory kits.