



Heritage

(Model 8091)

Pellet Stove

**Illustrated
Parts List**

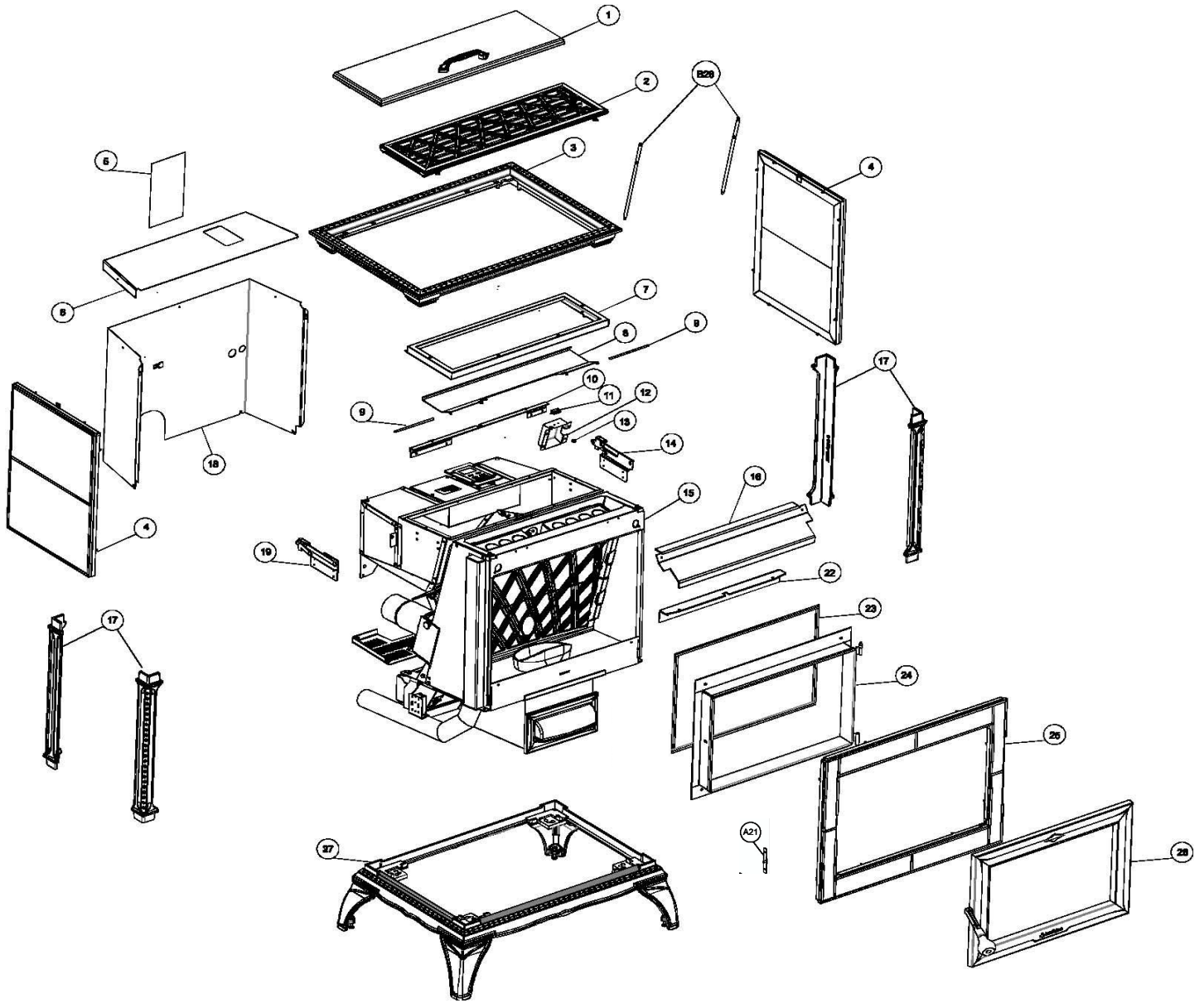
Production Dates: March 21, 2012 -

Serial Number: 002000 –

Please refer to the owner's manual before and after servicing this pellet fuel burning room heater. To reduce the risk of fire, follow all instructions. Failure to follow these instructions could result in property damage, bodily injury, or even death.



Hearthstone Quality Home Heating Products, Inc.
www.hearthstonestoves.com
inquiry@hearthstonestoves.com



Heritage 8091 - Exploded View

ILLUSTRATED PARTS LIST

| Key | Part Number | Description |
|-----|----------------|----------------------------------|
| 1 | Assm. H | HOPPER DOOR ASSM. |
| 2 | Assm. G | GRILL ASSM. |
| 3 | 2010-990 | TOP |
| 4 | Assm. I | SIDE STONE ASSM. |
| 5 | 3300-634 | SAFETY/RATING LABEL |
| 6 | 5909-087 | REAR PANEL (SHROUD) |
| 7 | 5090-074 | HOPPER EXTENSION |
| 8 | 5090-078 | SECONDARY HOPPER DOOR |
| 9 | 5090-071 | HINGE PIN: SECONDARY HOPPER DOOR |
| 10 | 5090-077 | REAR TOP SUPPORT |
| 11 | 7300-020 | SENSOR: HOPPER SAFETY |
| 12 | 5909-220 | HOPPER CABLE CHANNEL |
| 13 | 7000-170 | PANEL GROMMET |
| 14 | 5090-073 | RIGHT HINGE: HOPPER DOOR |
| 15 | Assm. B | ENGINE ASSM. 3909-100 |
| 16 | 5909-080 | AIR WASH |
| 17 | 2010-930 | SIDE LEG |
| 18 | 5909-086 | BOTTOM REAR PANEL |
| 19 | 5090-072 | LEFT HINGE: HOPPER DOOR |
| A21 | 5090-062 | DOOR LATCH CATCH |
| 22 | 5090-076 | FRONT TOP SUPPORT |
| 23 | 3160-080 | GASKET TAPE, 3/4"x1/16" |
| 24 | 5090-065 | FRONT DOOR FRAME |
| 25 | Assm. J | FRONT STONE ASSM. |
| 26 | Assm. M | FRONT DOOR ASSM. |
| 27 | Assm. F | BOTTOM CAST ASSM. |
| 28 | 5210-3080 | ROD: HEAT EXCHANGER CLEANING |

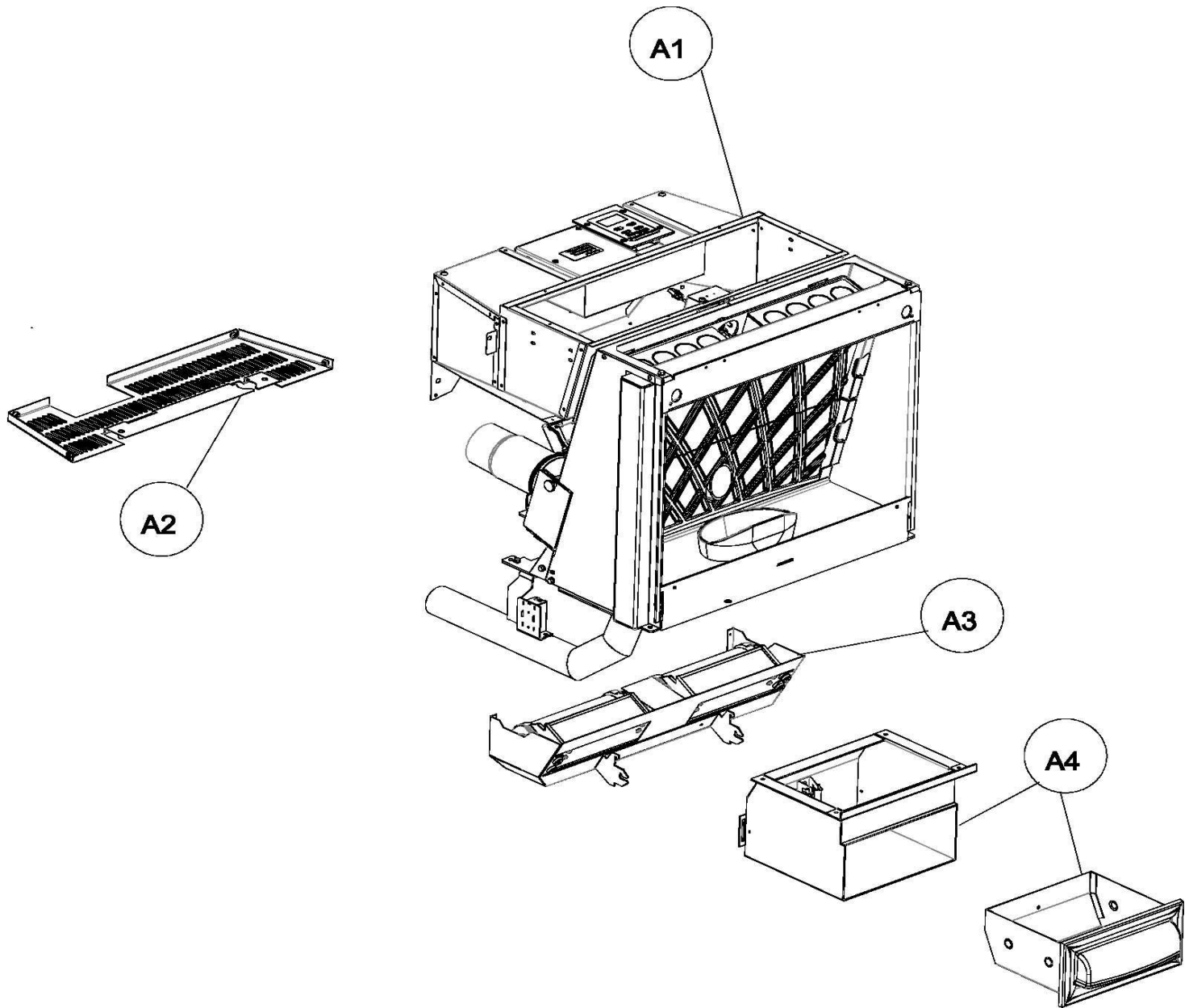


Figure 1 - Engine Assembly 3909-100: Major Components

| Assembly A | | | |
|-------------------|--------------------|---|--|
| Key | Part Number | Description | |
| | 3909-100 | ENGINE ASSEMBLY, INCLD. ALL OF THE PARTS BELOW | |
| A1 | Assm. B | ENGINE SUB ASSEMBLY | |
| A2 | 5909-090 | REAR PANEL: BOTTOM | |
| A3 | Assm. N | ROOM BLOWER ASSEMBLY | |
| A4 | Assm. K | ASH BOX ASSEMBLY | |

Assembly B

| Key | Part Number | Description |
|------------|-----------------|--|
| B1 | 7300-010 | CONTROL BOARD ASSM. <i>WITH BRACKET 5909-350</i> |
| B2 | 7300-000 | MOTHERBOARD |
| B3 | 7300-025 | TEMPERATURE SAFETY LIMIT SWITCH |
| B4 | NA | FUSE HOLDER (PART OF HARNESS 7000-034) |
| B5 | 7211-967 | EXHAUST FAN MOTOR |
| B6 | 4700-0660 | HOSE CLAMP: 12MMWX70-90DIA |
| B7 | 5909-340 | EXHAUST GAS PIPE |
| B8 | 5909-070 | EXHAUST FAN HOUSING |
| B9 | Assm. C | AUGER ASSM. |
| B10 | Assm. L | HOPPER ASSM. |
| B11 | 5909-255 | SENSOR WIRE CONDUIT |
| B12 | 5909-016 | COMBUSTION CHAMBER |
| B13 | 5909-345 | PRESSURE PLATE |
| B14 | 5909-325 | HEAT EXCHANGER HEAT SHIELD |
| B15 | 7300-030 | SENSOR: FLAME THERMOCOUPLE |
| B16a | 5909-336 | PLENUM: LEFT CONVECTION AIR |
| B16b | 5909-337 | PLENUM: RIGHT CONVECTION AIR |
| B17 | 3160-392 | GASKET: 3/8"X 1/8"FLAT, KNIT BLK, 1/4"AD SP |
| B18 | 5909-020 | SIDE COMBUSTION COVER |
| B19 | 4500-4695 | KNURLED THUMB SCREW |
| B20 | 7300-005 | AIR FLOW SENSOR |
| B21 | 5909-061 | AIR INLET PIPE |
| B22 | 5909-095 | IGNITER FERRULE |
| B23 | 2910-002 | BURN POT |
| B24 | Assm. E | LOWER BAFFLE ASSM. |
| B25 | Assm. D | UPPER BAFFLE ASSM. |
| B26 | 5909-260 | HOPPER BULB CLIP |
| B27 | 7300-015 | IGNITER ELEMENT (with spade terminals installed 90-99022) |
| B28 | 3160-397 | INLET TUBE GASKET |
| NA | 7000-034 | WIRING HARNESS - (Not Shown) |

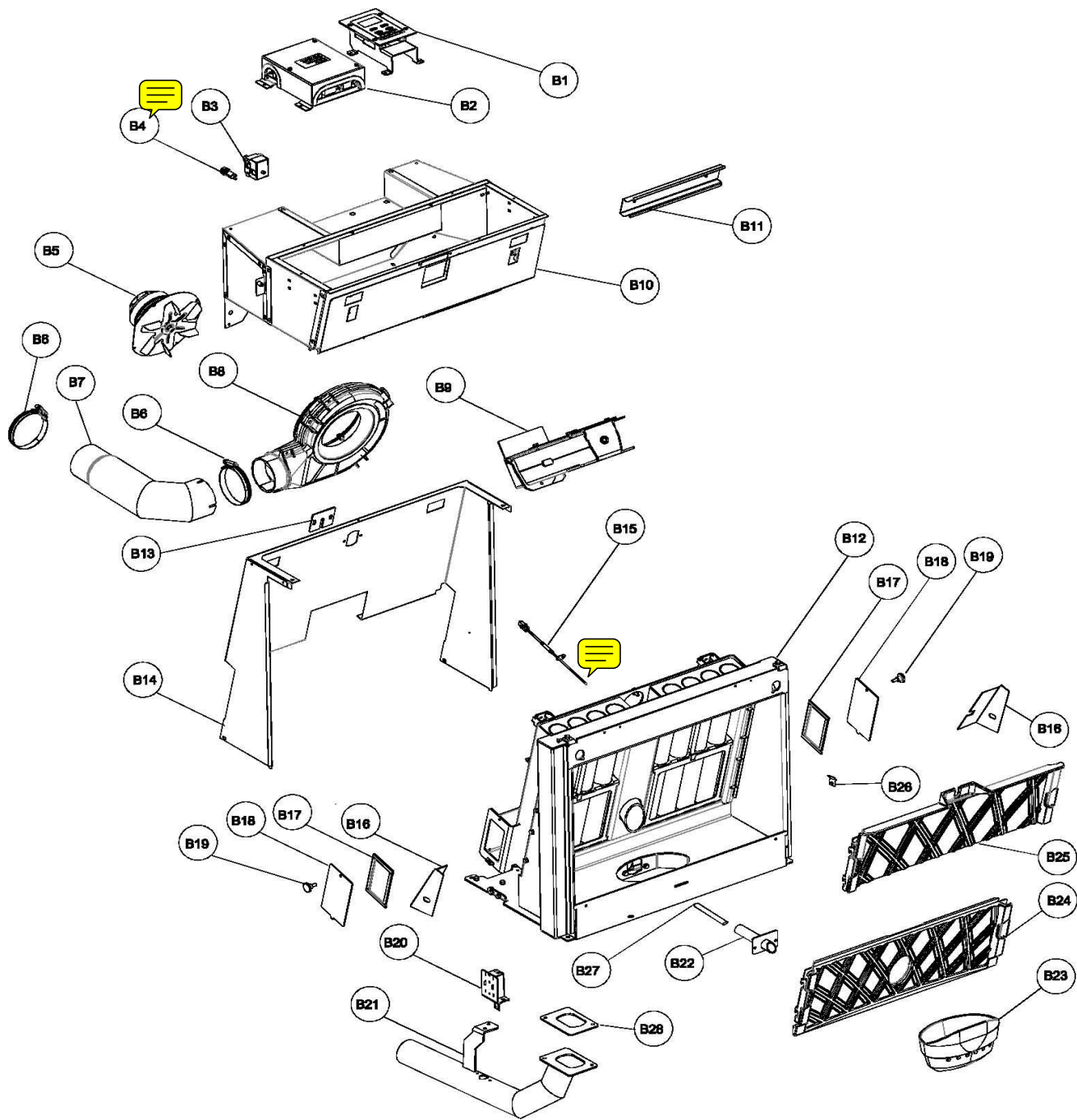


Figure 2 - Heritage 8091 Engine Assembly

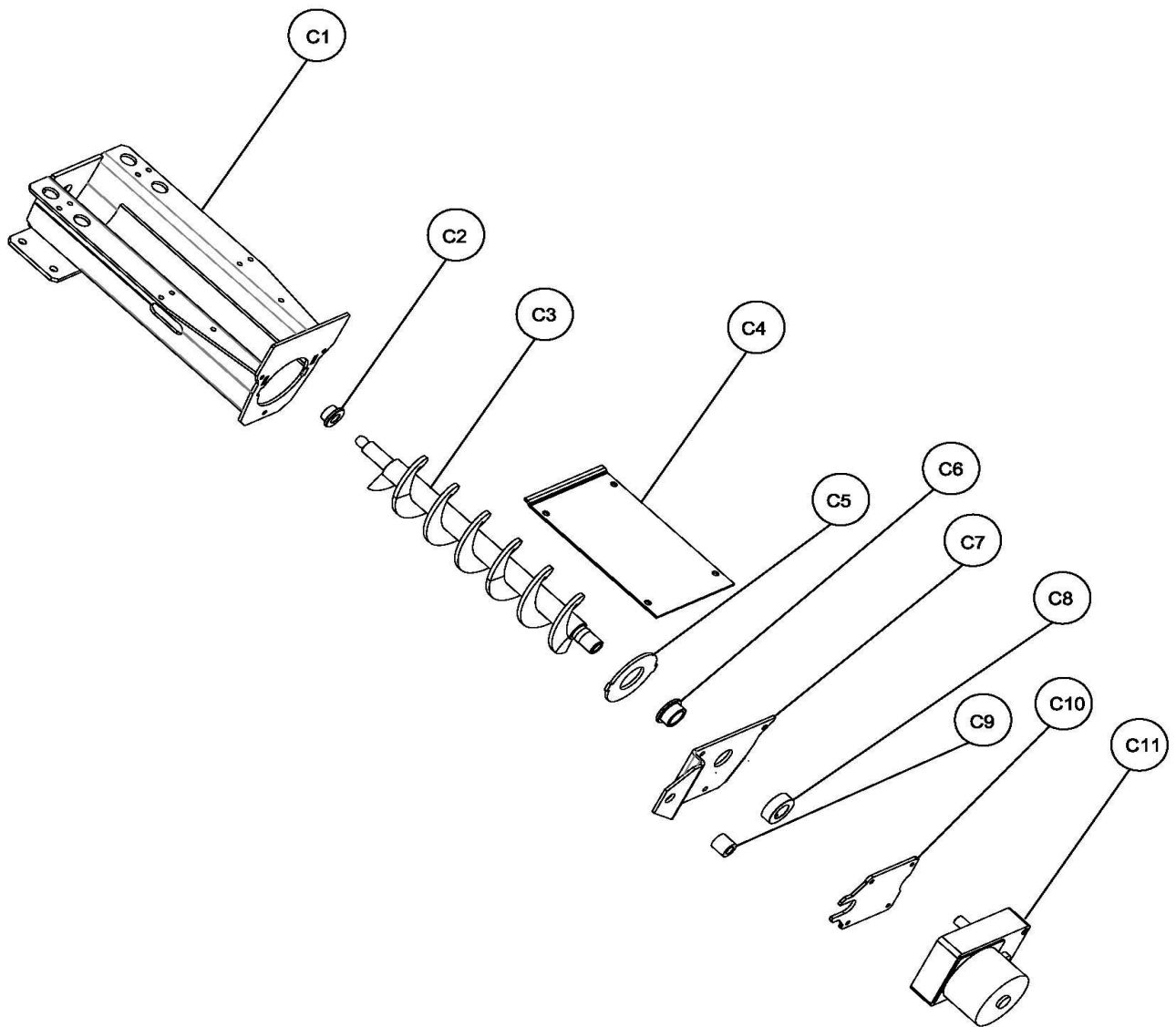


Figure 3 - Heritage 8091 Auger Assembly

| Assembly C | | |
|------------|-------------|------------------------|
| Key | Part Number | Description |
| C1 | 5909-305 | AUGER HOUSING |
| C2 | 5000-095 | SINTERED BEARING |
| C3 | 5909-310 | AUGER SCREW / SHAFT |
| C4 | 5909-315 | AUGER FEED UNIT LID |
| C5 | 4600-0175 | AUGER ACCESS WASHER |
| C6 | 5000-096 | SINTERED BEARING |
| C7 | 5909-320 | AUGER MOTOR BRACKET |
| C8 | 4600-0180 | AUGER SHAFT CLAMP RING |
| C9 | 7000-175 | WTR/AIR HOSE |
| C10 | 5909-323 | AUGER MOTOR SUPPORT |
| C11 | 7211-970 | AUGER MOTOR |

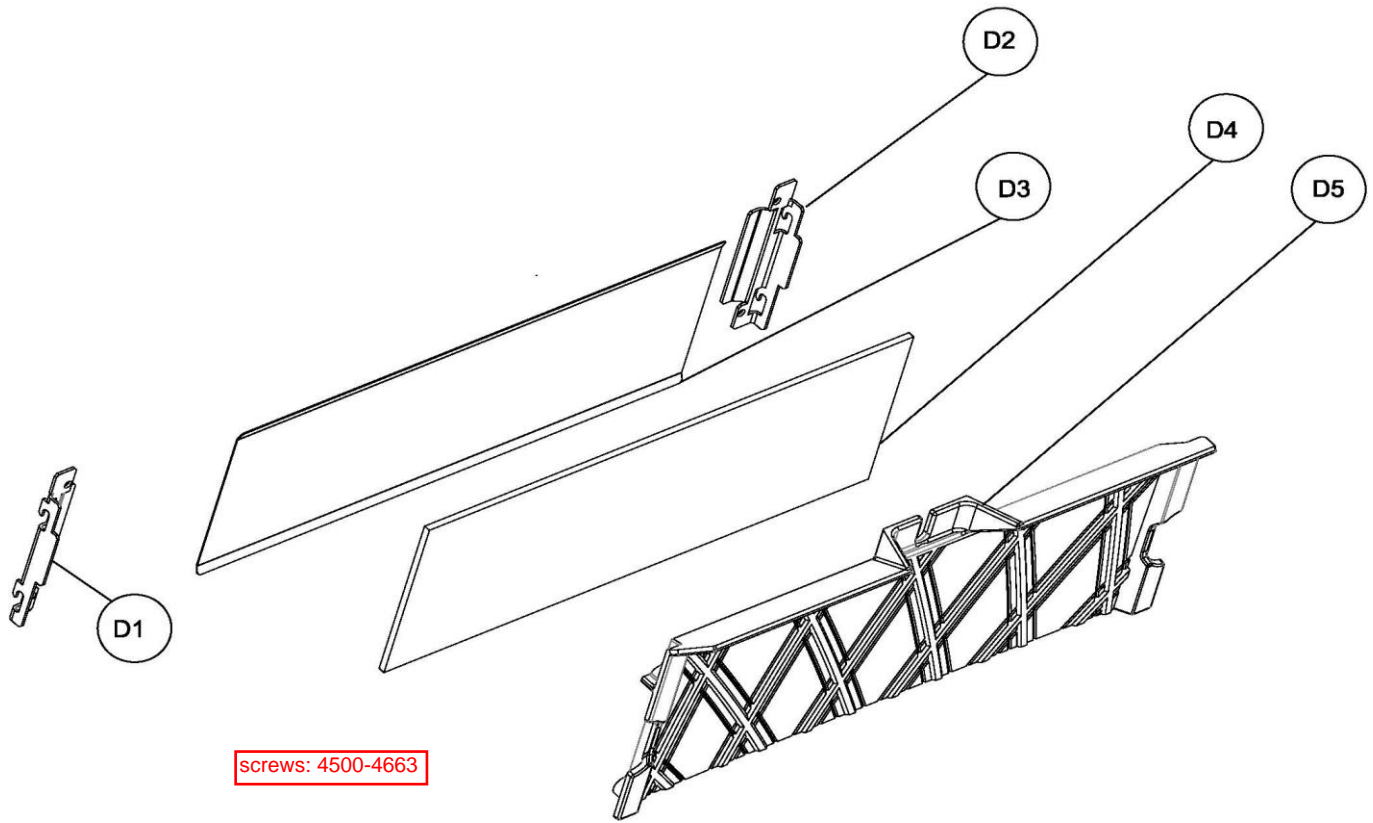


Figure 4 - Heritage 8091 Upper Baffle Assembly

| Assembly D | | |
|------------|-------------|---------------------------------|
| Key | Part Number | Description |
| D1 | 5909-000 | LEFT BAFFLE MOUNT BRACKET |
| D2 | 5909-005 | RIGHT BAFFLE MOUNT BRACKET |
| D3 | 5909-010 | UPPER BAFFLE INSULATION GUARD |
| D4 | 3120-220 | UPPER BAFFLE CERAMIC HEATSHIELD |
| D5 | 2910-005 | UPPER BAFFLE |

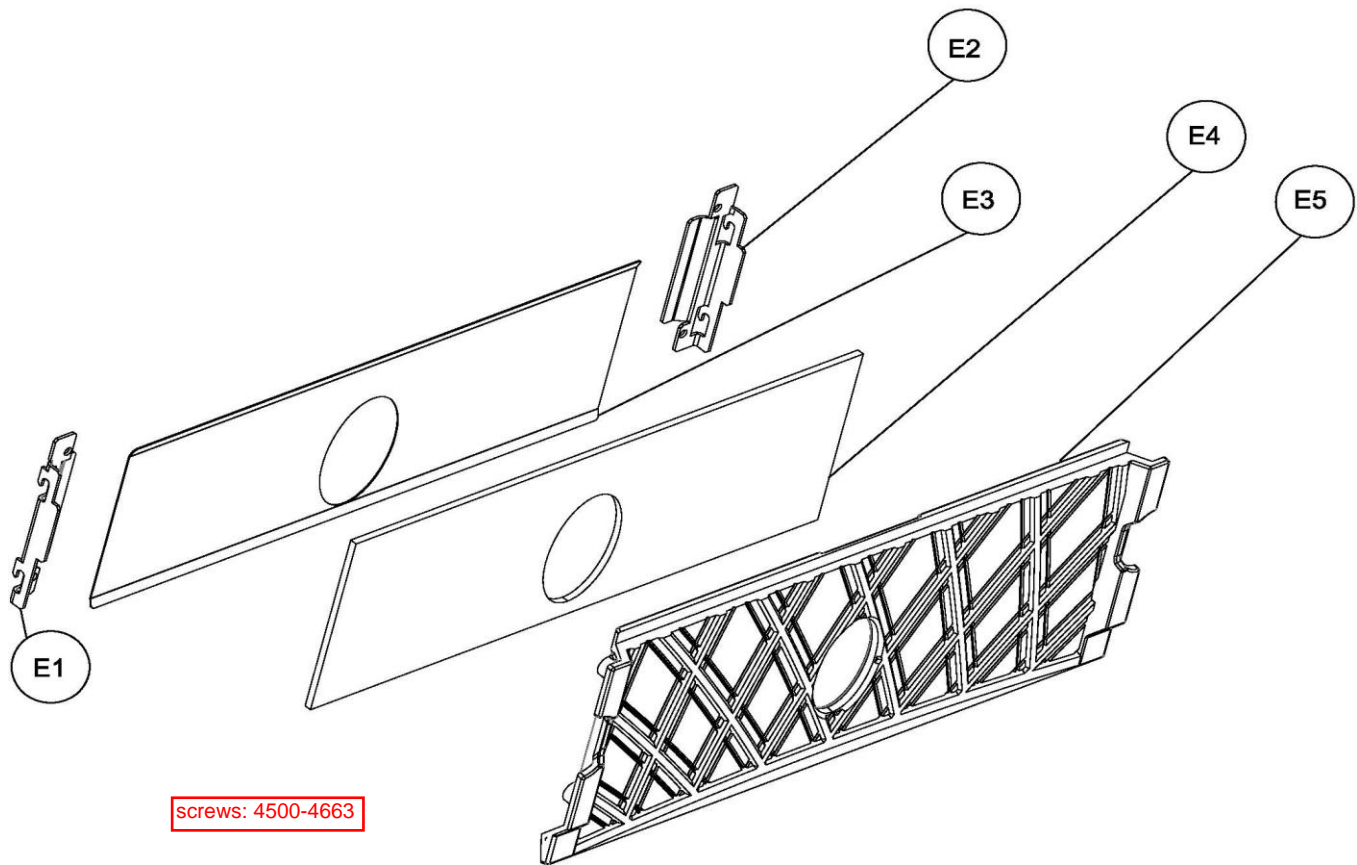


Figure 5 - Heritage 8091 Lower Baffle Assembly

| Assembly E | | |
|------------|-------------|---------------------------------|
| Key | Part Number | Description |
| E1 | 5909-000 | LEFT BAFFLE MOUNT BRACKET |
| E2 | 5909-005 | RIGHT BAFFLE MOUNT BRACKET |
| E3 | 5909-011 | LOWER BAFFLE INSULATION GUARD |
| E4 | 3120-221 | LOWER BAFFLE CERAMIC HEATSHIELD |
| E5 | 2910-010 | LOWER BAFFLE |

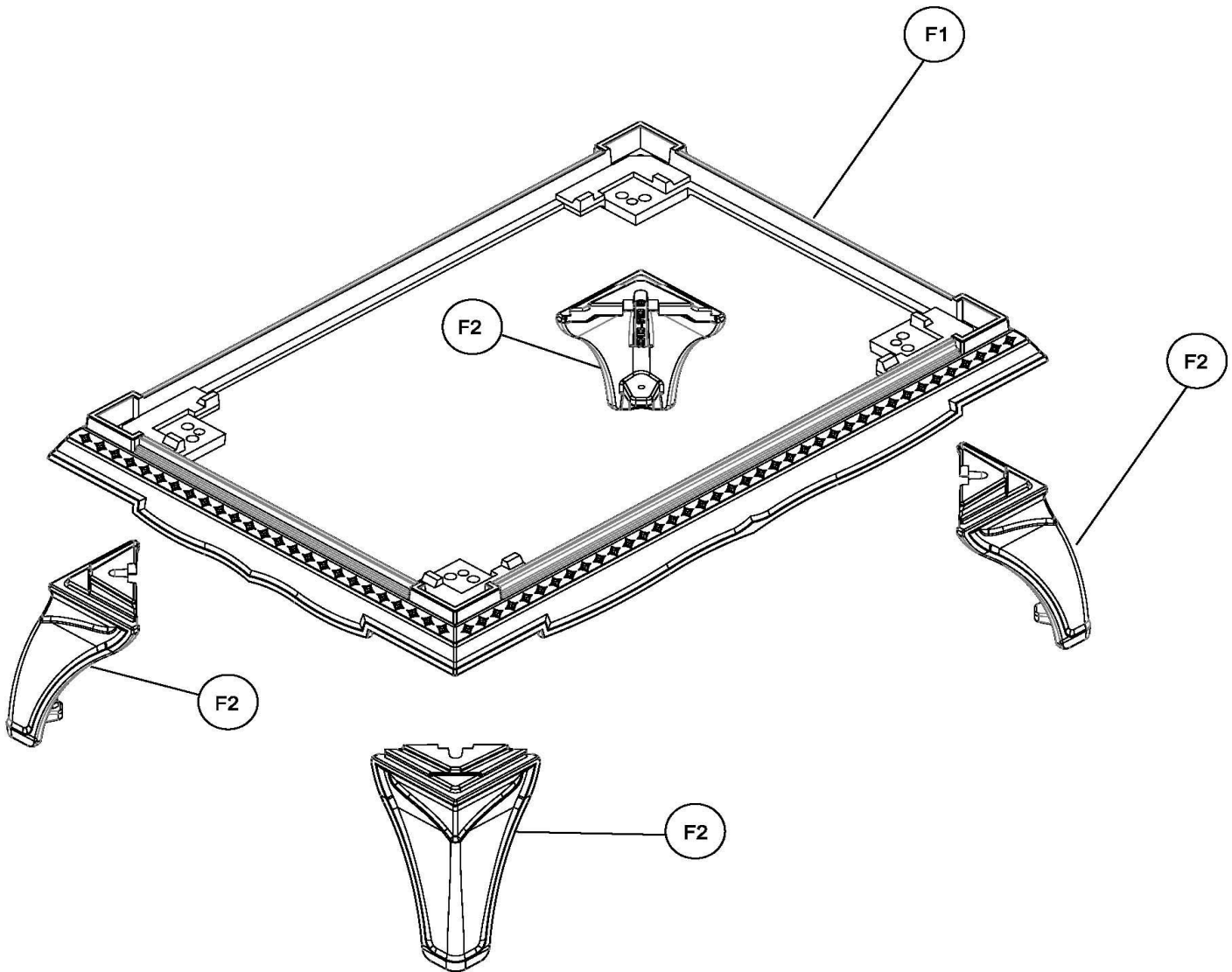


Figure 6 - Heritage 8091 Bottom Assembly

| Assembly F | | |
|------------|-------------|---------------|
| Key | Part Number | Description |
| F1 | 2010-925 | BOTTOM: MATTE |
| F2 | 2010-910 | FOOT: MATTE |

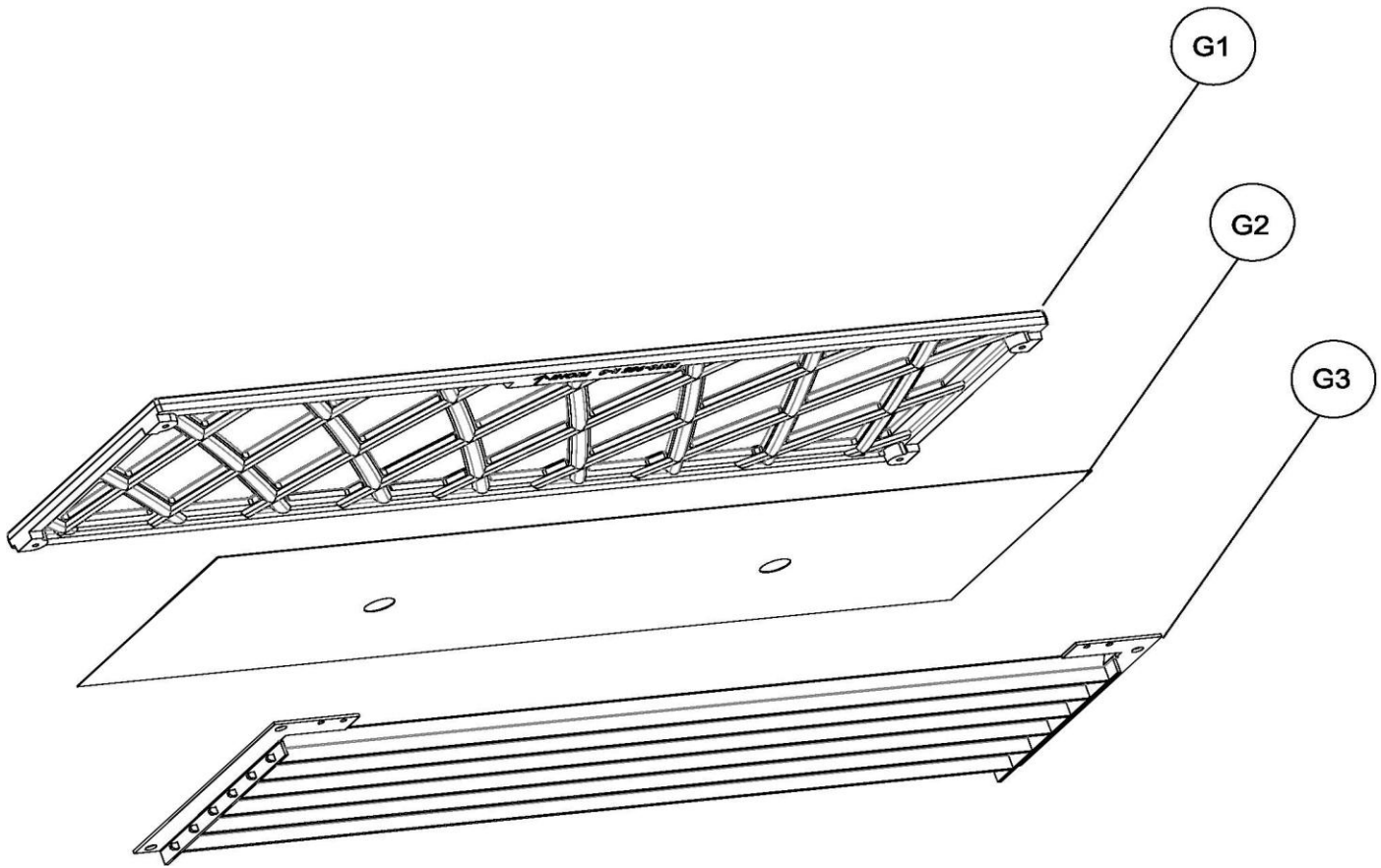


Figure 7 - Heritage 8091 Grill Assembly

| Assembly G | | |
|-------------------|--------------------|------------------------|
| Key | Part Number | Description |
| G1 | 2010-995 | TOP GRILL, MATTE |
| G2 | 5090-069 | OUTLET GRILL SCREEN |
| G3 | 5090-070 | AIR CIRCULATION LOUVER |

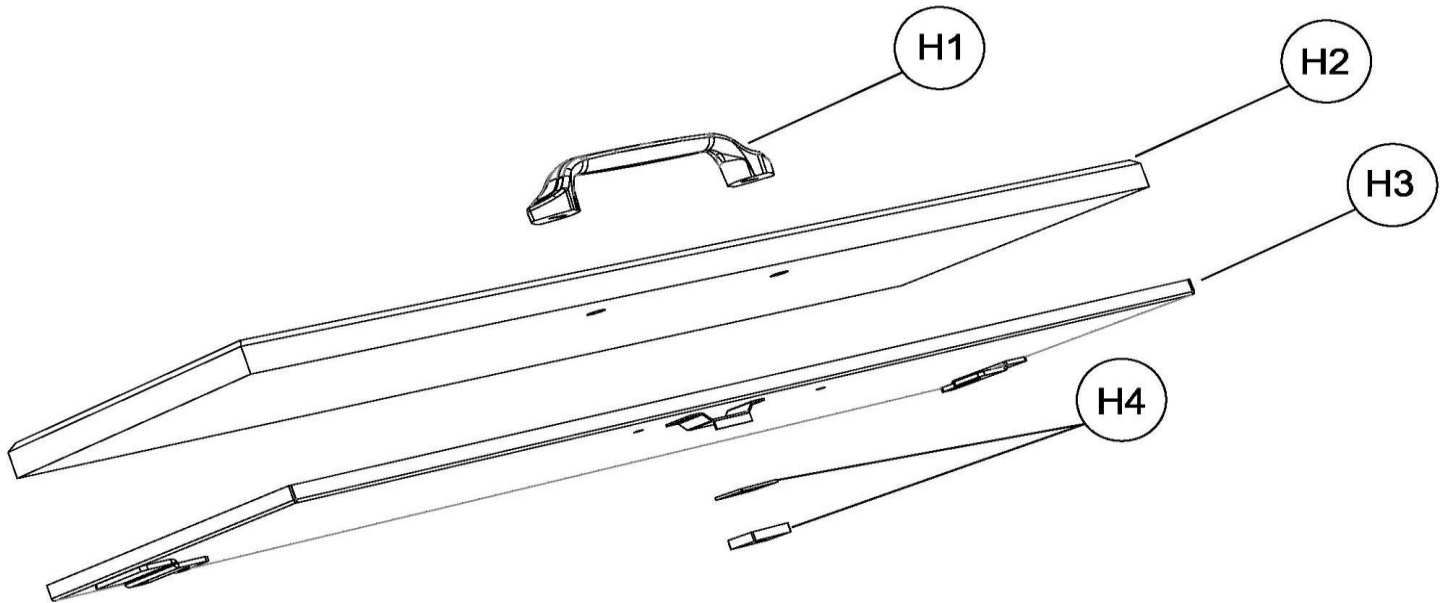


Figure 8 - Heritage 8091 Hopper Door Assembly

| Assembly H | | |
|------------|-------------|---------------------------|
| Key | Part Number | Description |
| H1 | 2010-997 | LOAD DOOR HANDLE |
| H2 | 1930-210 | HOPPER DOOR STONE, SAHARA |
| H2 | 1941-210 | HOPPER DOOR STONE, POL |
| H3 | 5090-075 | HOPPER DOOR |
| H4 | 4700-0795 | MAGNET |

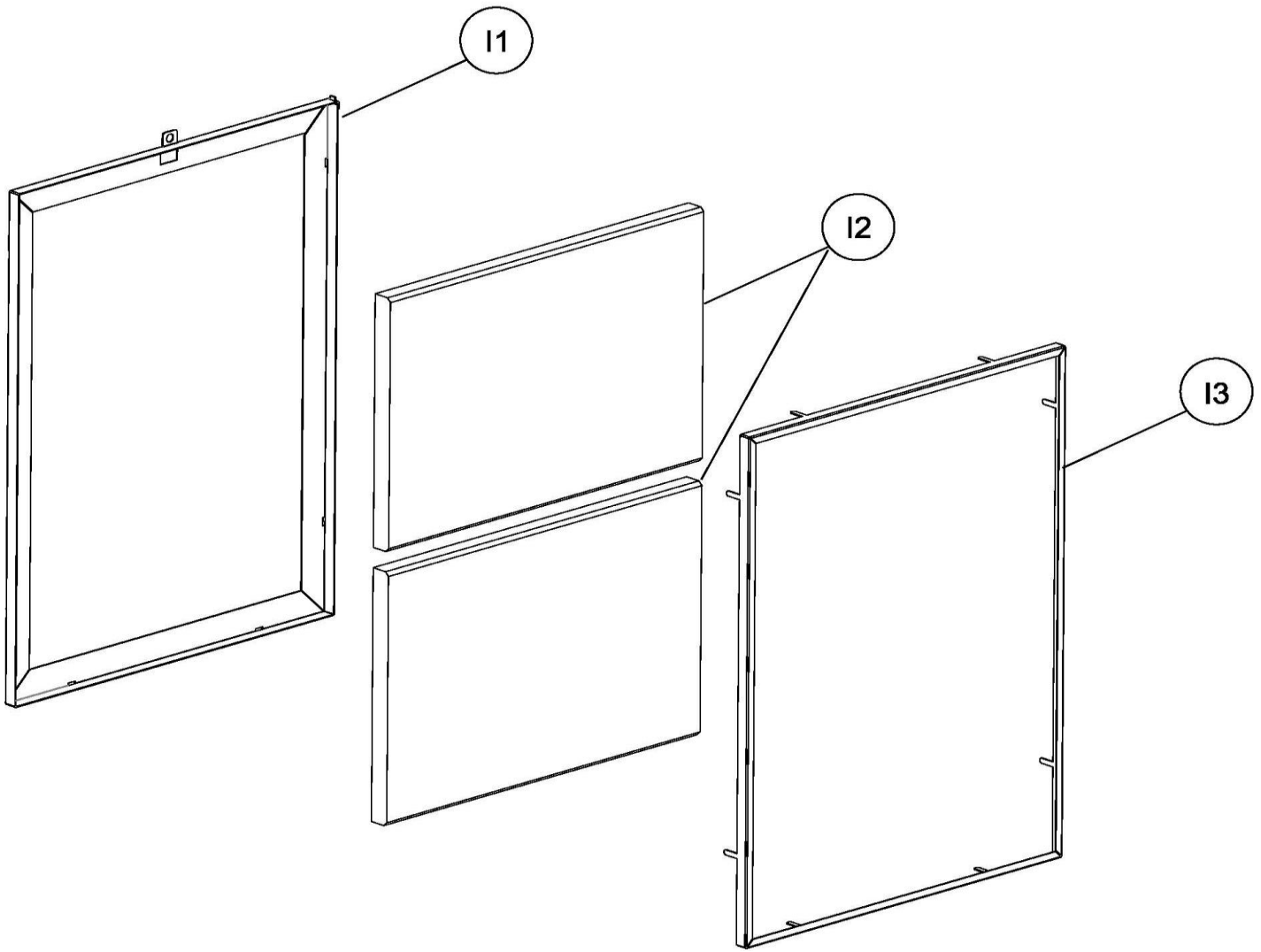


Figure 9 - Heritage 8091 Side Stone Assembly

| Assembly I | | |
|-------------------|--------------------|------------------------|
| Key | Part Number | Description |
| I1 | 5090-022 | OUTER SIDE STONE FRAME |
| I2 | 1930-225 | SIDE STONE, SAHARA |
| I2 | 1941-225 | SIDE STONE, POL |
| I3 | 5090-021 | INNER SIDE STONE FRAME |

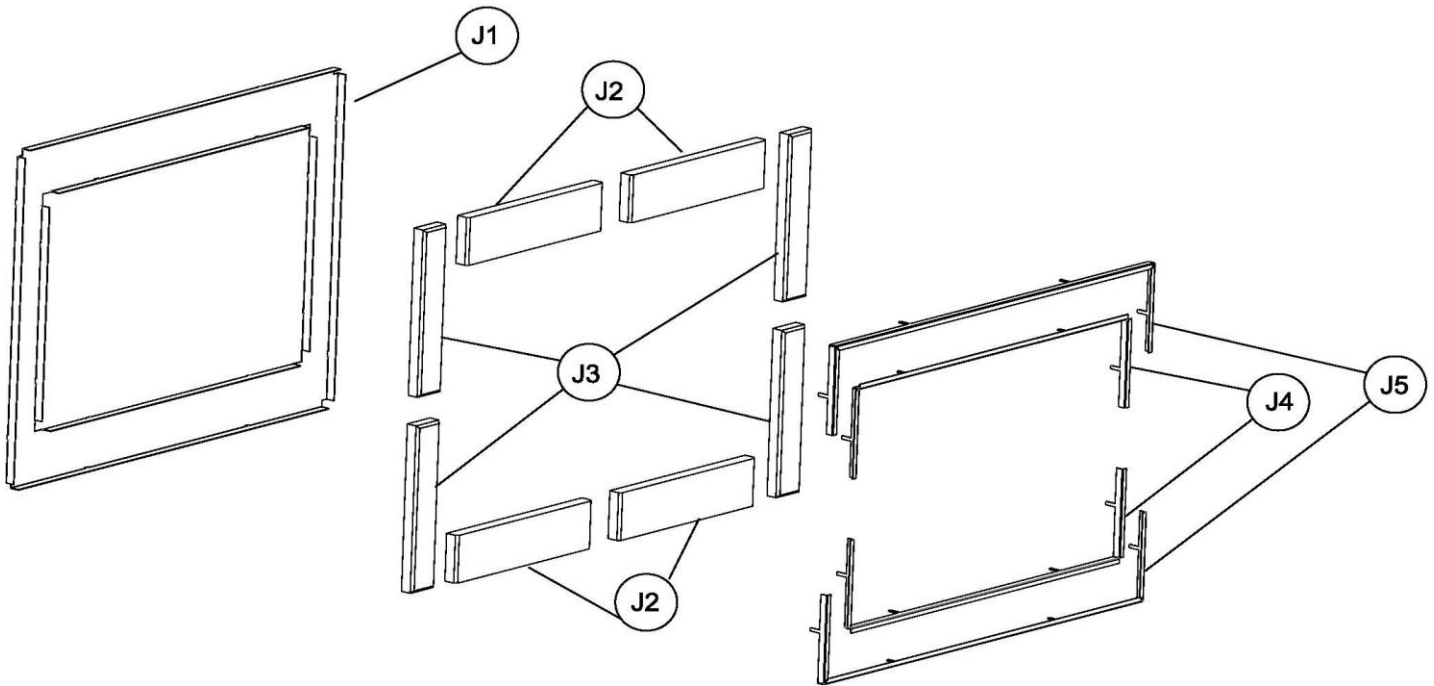


Figure 10 - Heritage 8091 Front Stone Assembly

| Assembly J | | |
|-------------------|--------------------|--------------------------------|
| Key | Part Number | Description |
| J1 | 5090-019 | FRONT STONE FRAME |
| J2 | 1930-220 | FRONT HORIZONTAL STONE, SAHARA |
| J2 | 1941-220 | FRONT HORIZONTAL STONE, POL |
| J3 | 1930-215 | FRONT VERTICAL STONE, SAHARA |
| J3 | 1941-215 | FRONT VERTICAL STONE, POL |
| J4 | 5090-018 | FRONT INNER STONE RETAINER |
| J5 | 5090-017 | FRONT OUTER STONE RETAINER |

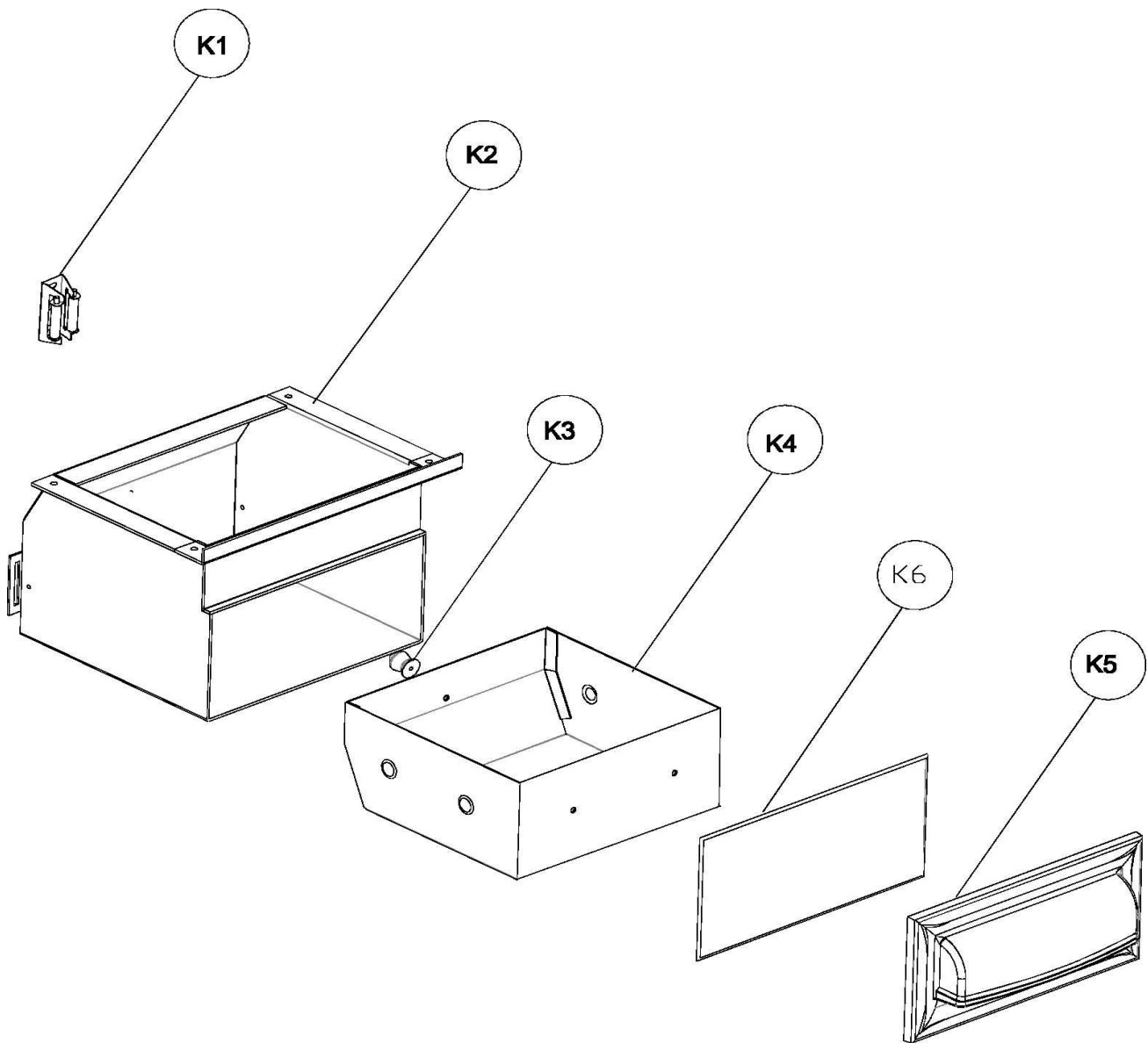


Figure 11 - Heritage 8091 Ash Drawer Assembly

| Assembly K | | |
|------------|-------------|--|
| Key | Part Number | Description |
| K1 | 5240-145 | ASH PAN CATCH SPRING |
| K2 | 5090-016 | OUTER ASH BOX FRAME |
| K3 | 5240-146 | ASH PAN CATCH KNOB |
| K4 | 5090-011 | ASH PAN |
| K5 | 2010-915 | ASH DOOR: MATTE |
| K6 | 3110-057 | GASKET: ROPE, 3/8", AD, NON-CORE, 2.4' |

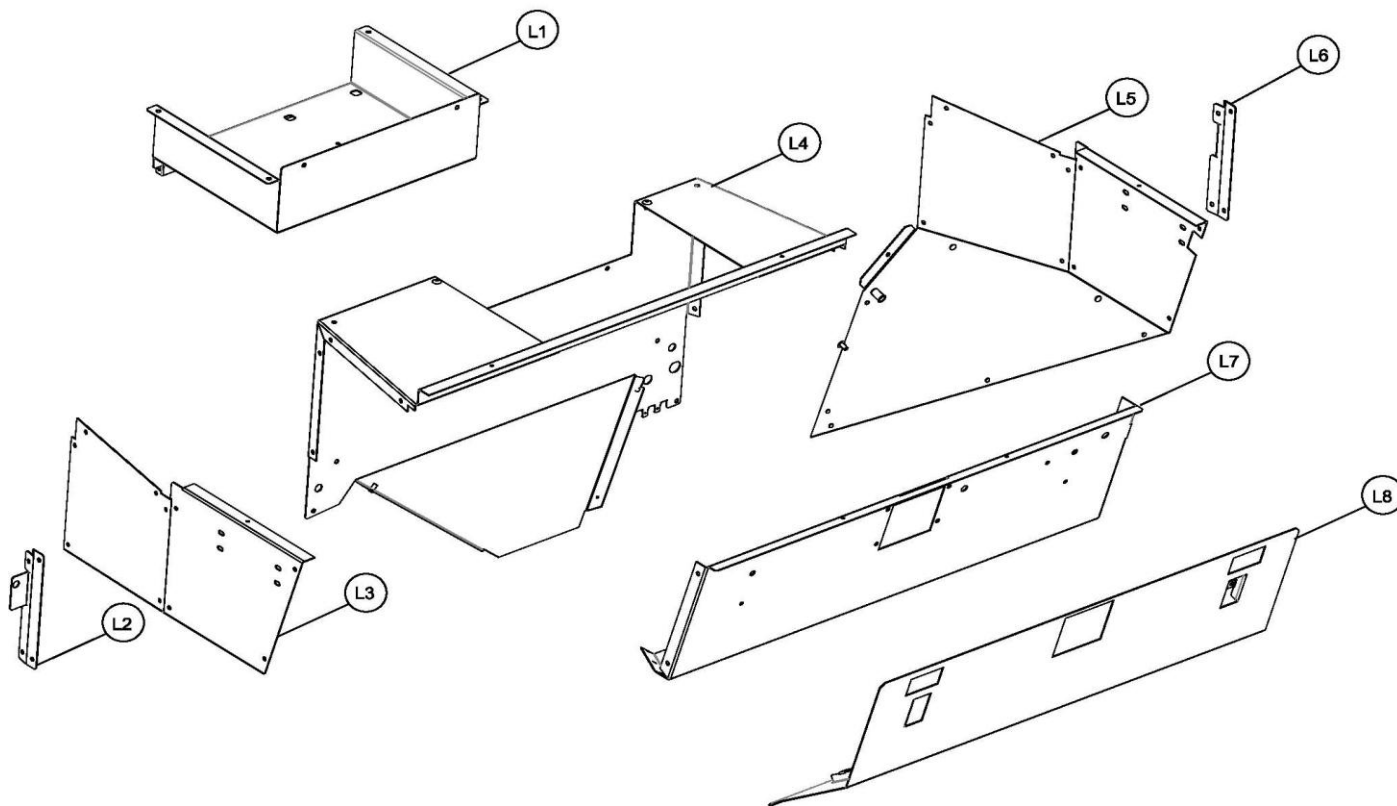


Figure 12 - Heritage 8091 Hopper Assembly

| Assembly L | | | |
|------------|-------------|--|--|
| Key | Part Number | Description | |
| L1 | 5909-225 | HOPPER: DISPLAY BASE | |
| L2 | 5909-240 | HOPPER: REAR PANEL BRACKET,FRNT/LT,PEL | |
| L3 | 5909-210 | HOPPER: LEFT | |
| L4 | 5909-215 | HOPPER: BACK | |
| L5 | 5909-235 | HOPPER: RIGHT | |
| L6 | 5909-245 | HOPPER: REAR PANEL BRACKET,FRNT/RT,PEL | |
| L7 | 5909-245 | HOPPER: REAR PANEL BRACKET,FRNT/RT,PEL | |
| L8 | 5909-230 | HOPPER HEAT SHIELD | |

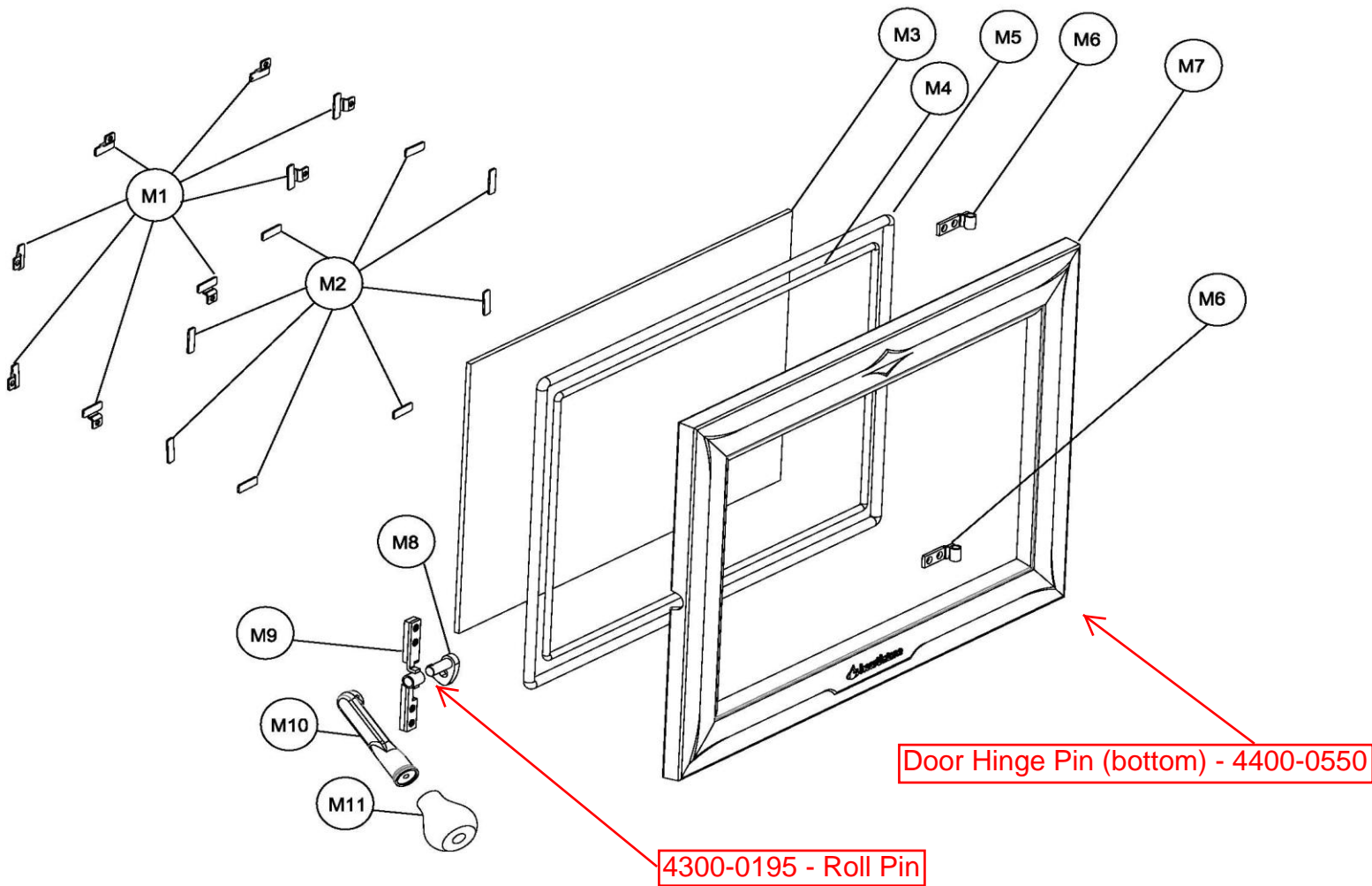


Figure 13 - Heritage 8091 Front Door Assembly

| Assembly M | | |
|------------|-------------|--------------------------|
| Key | Part Number | Description |
| M1 | 5021-060 | GLASS CLIP |
| M2 | 3120-021 | GLASS CLIP GASKET: BLACK |
| M3 | 3030-026 | GLASS |
| M4 | 3110-056 | GASKET: ROPE, 1/4" |
| M5 | 3110-057 | GASKET: ROPE, 3/8" |
| M6 | 5090-064 | FRONT DOOR HINGE |
| M7 | 2010-970 | FRONT DOOR: MATTE |
| M8 | 5090-063 | FRONT DOOR LATCH |
| M9 | 5090-061 | FRONT DOOR LATCH HOLDER |
| M10 | 2010-955 | FRONT DOOR HANDLE: MATTE |
| M11 | 3900-184 | WOODEN HANDLE |

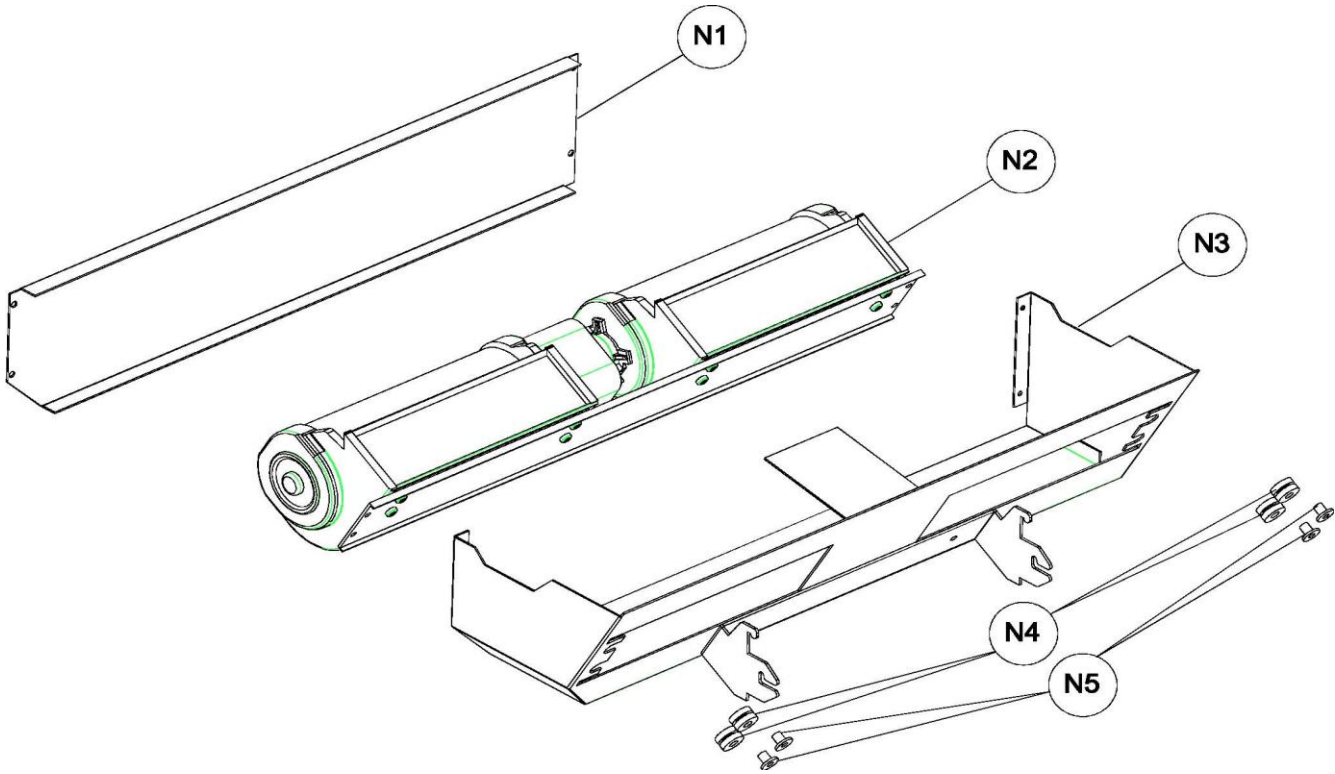


Figure 14 - Heritage 8091 Room Fan Assembly

| Assembly N | | |
|------------|-------------|--|
| Key | Part Number | Description |
| N1 | 5909-332 | SCREEN; CONVECTION FAN |
| N2 | 7211-951 | FAN: BLOWER, ASSY, CONVECTION |
| N3 | 5909-331 | HOUSING: CONVECTION FAN |
| N4 | 7000-130 | GROMMET: SIL .45" PANEL x .25" ID, M-633 |
| N5 | 7000-135 | SLEEVE: .25"OD x .183"ID x .375", M-632 |